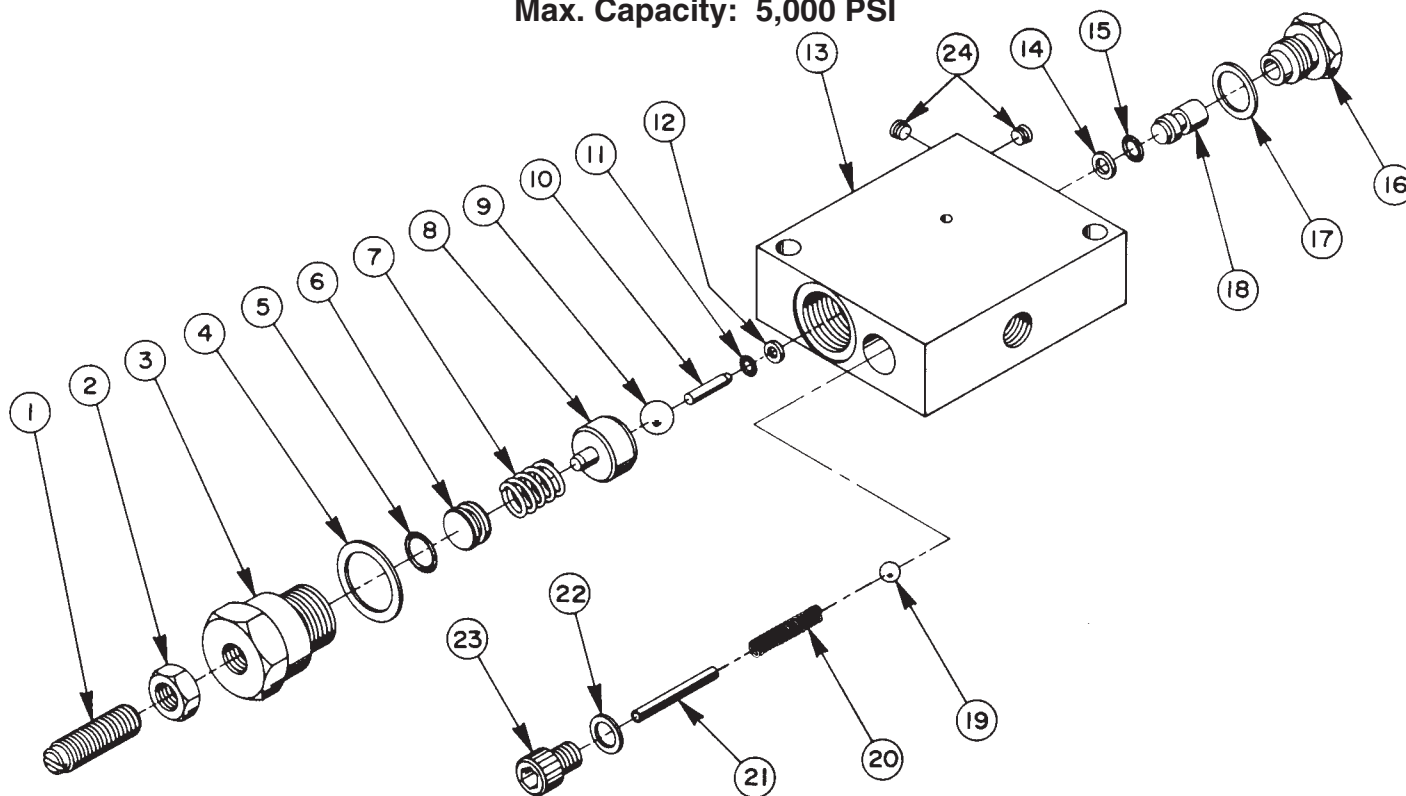


**PRESSURE CONTROL - SEQUENCE
VALVE ASSEMBLY**
Max. Capacity: 5,000 PSI



Item No.	Part No.	No. Req'd	Description
1	22362	1	Valve Adjusting Screw
2	10386	1	Nut (3/8-24 UNF)
3	21305	1	Valve Cap (Torque to 60/70 ft. lbs.)
4	10263	1	Copper Washer (1" X .765 X 1/32)
5	13943	1	O-ring (1/2 X 3/8 X 1/16)
6	24629	1	Spring Button
7	10428	1	Compression Spring (1/2 O.D. X 3/4 Lg.)
8	210285	1	Ball Guide
9	10378	1	Ball (3/8 dia.)
10	17026	1	Dowel Pin (1/8 dia. X 5/8 Lg.)
11	10264	1	O-ring (1/4 X 1/8 X 1/16, NOTE: Exercise caution when installing seal past step and cross hole.
12	15084	1	Backup Washer (1/4 X 1/8 X .048)
13	64851	1	Valve Body
14	15174	1	Backup Washer (5/16 X 3/16 X 3/64)

Item No.	Part No.	No. Req'd	Description
15	10265	1	O-ring (5/16 X 3/16 X 1/16)
16	305975	1	Valve Screw (Torque to 30/35 ft. lbs.)
17	14874	1	Copper Washer (.700 X 1/2 X 1/32 Thk.)
18	210283	1	Piston
19	10374	1	Ball (7/32 dia.)
20	250227	1	Compression Spring (3/16 O.D. X 3/8 Lg., NOTE: Crack pressure is 1 to 4 PSI)
21	11566	1	Spring Pin (NOTE: Pin must be bottomed out in hole.)
22	11031	1	Copper Washer (15/32 X 5/16 X 1/32)
23	25683	1	Cap Screw (Torque to 170/180 in. lbs.)
24	15499	2	Plug, Pipe (1/8 NPTF)

PARTS INCLUDED BUT NOT SHOWN

251822 1 Trade Name Decal

Note: Shaded areas reflect last revision(s) made to this form.

Sheet No. 1 of 1

Rev. 1 Date: 1 Nov. 1996

SPECIFICATIONS

OPERATION

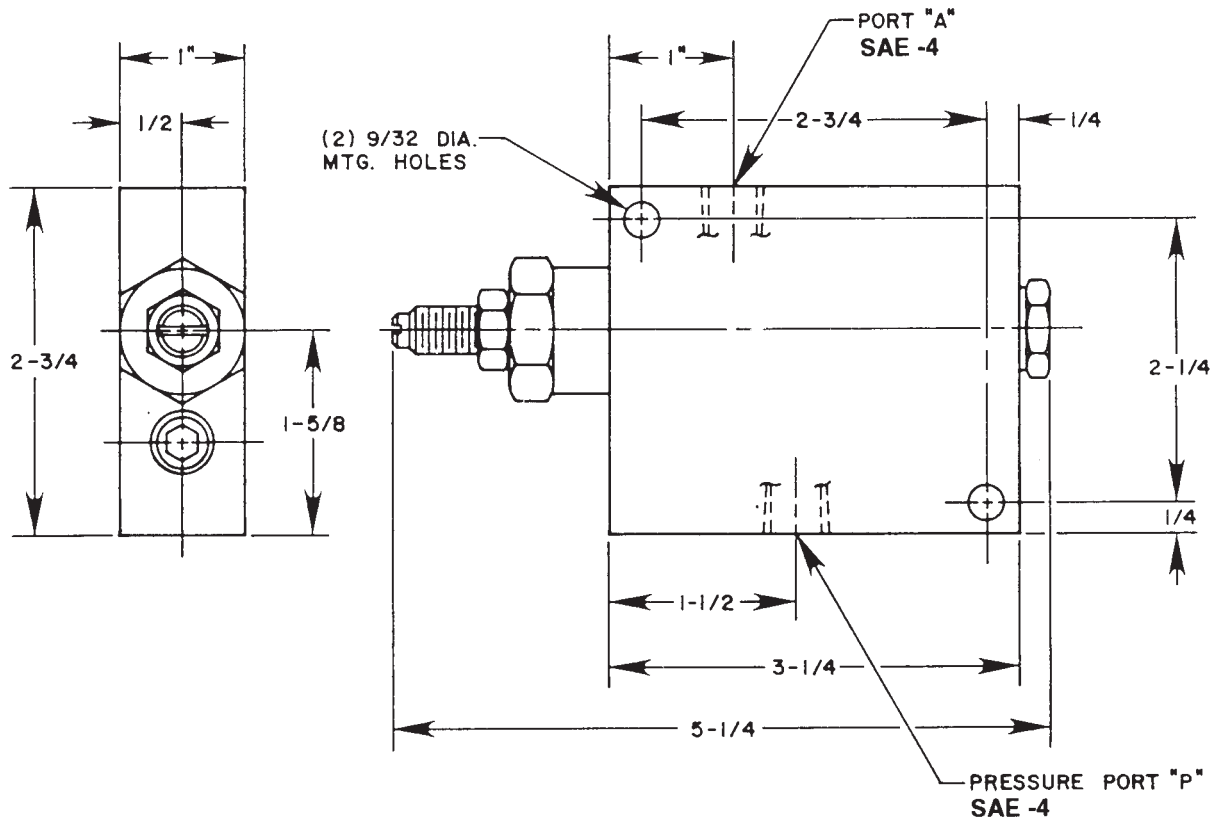
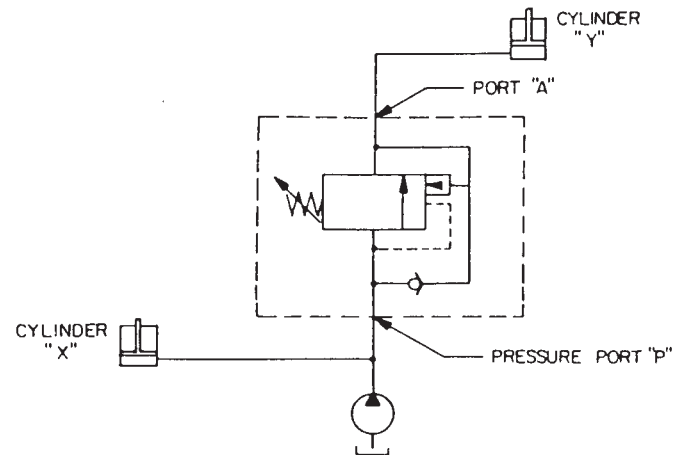
Connect a pump unit and a spring return cylinder "X" to port "P" and another spring return cylinder "Y" to port "A".

When pressure is applied to port "P"; cylinder "X" will advance, but cylinder "Y" should not advance until predetermined pressure setting is obtained.

NOTE:

- Pressure setting can be adjusted by means of the adjusting screw.
- Sequencing pressure is normally set at 2,000 PSI at the factory.
- Max. Operating Pressure: 5,000 PSI
- Max. Sequence Pressure: 4,000 PSI

HYDRAULIC SCHEMATIC



Refer to any operating instructions included with this product for detailed information about operation, testing, disassembly, reassembly, and preventive maintenance.

Items found in this parts list have been carefully tested and selected. **Therefore: Use only genuine Hytec replacement parts!**

Additional questions can be directed to our Technical Services Department.