

**DOUBLE-ACTING, CARTRIDGE STYLE MOUNT
SWING / PULL CLAMP**

Capacity: 750 lbs. (192,2 kg) Clamping Force (with 1.25" lg. arm) at 5,000 PSI (350 Bar) Max.

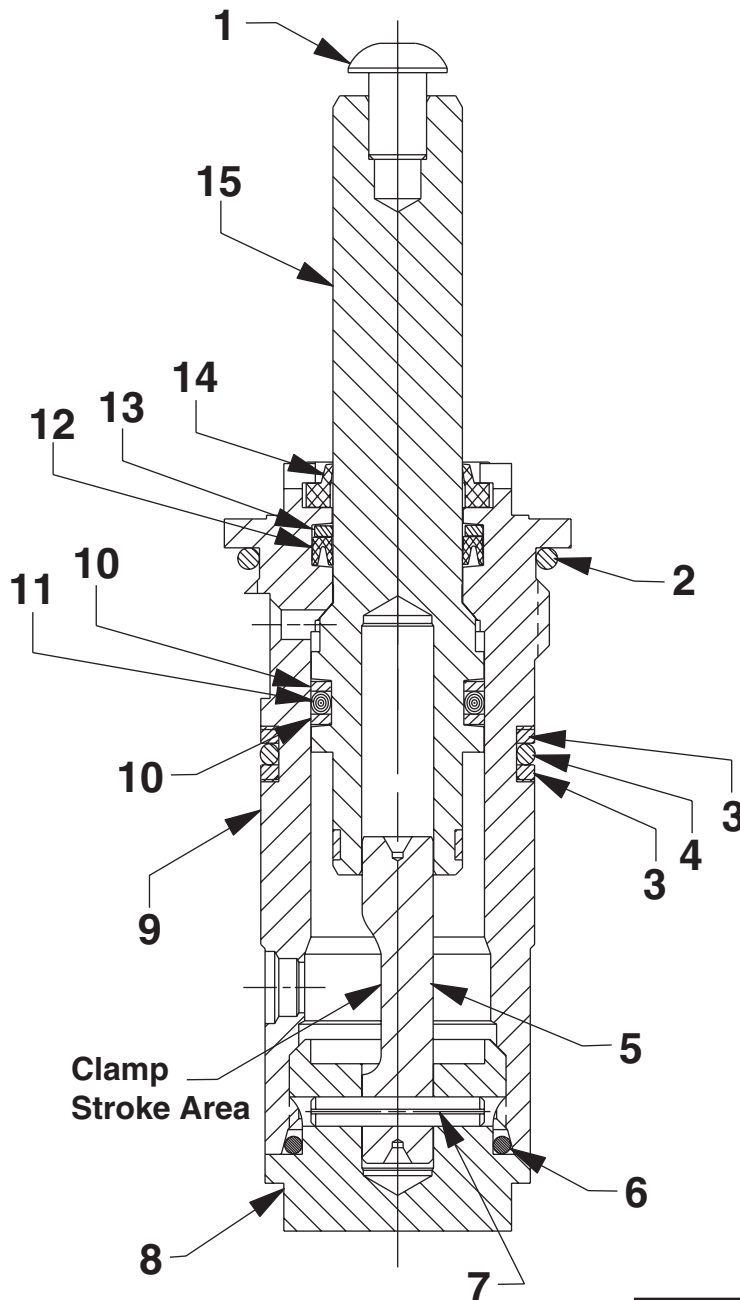
100957 - Left Hand, .345" Stroke

100958 - Right Hand, .345" Stroke

100959 - Straight Pull, .345" Stroke

The piston rod U-cup seal (Item 12) can be easily twisted if installed incorrectly.
Before installing the piston rod (Item 15) lubricate the rod and all seals with hydraulic oil. Install the rod with light pressure and a twisting motion as the seal is first contacted.

Refer to any operating instructions included with this product for detailed information about operation, testing, disassembly, reassembly, and preventive maintenance.
Items found in this parts list have been carefully tested and selected.
Therefore: Use only genuine Hytec replacement parts!
Additional questions can be directed to our Technical Services Department.



Parts List, Form No. 101662, Back sheet 1 of 1

Item No.	Part No.	No. Req'd	Description
1	251910	1	Cap Screw (1/4-20 UNC X 3/8 Lg.; Torque to 100/125 in. lbs.)
2	*11495	1	O-ring (1-13/32 X 1-11/64 X .116)
3	*16817	2	Backup Washer
4	*16684	1	O-ring (1-3/16 X 1" X 3/32)
5	351136	1	Rotating Cam (Left Hand† 90° for 100957)
	351137	1	Rotating Cam (Right Hand† 90° for 100958)
	351135	1	Rotating Cam (Straight Pull for 100959)
6	*10658	1	O-ring (1" X 13/16 X 3/32)
7	10895	1	Roll Pin (1/8 Dia. X 3/4 Lg.)
8	351197	1	End Cap (Torque to 80/90 ft. lbs. min.)
9	64970	1	Swing Clamp Body
10	*19130	2	O-ring Washer (3/4 x 9/16 x .048)
11	*211417	1	O-ring (3/4 X 35/64 X 3/32)
12	*216328	1	U-cup Packing
13	*208721	1	Backup Washer (3/4 O.D. X 9/16 I.D. X 3/64)
14	*216289	1	Rod Wiper
15	351138	1	Piston Ass'y

Grease roller in piston rod (Item #15) and cam with a light coating of CDM Extreme Pressure Lube #3.

Part numbers marked with an asterisk (*) are contained in Repair Kit No. 300870.

† Right hand rotation is clockwise rotation when viewed from the piston rod end.
Left hand is counterclockwise rotation. To reverse clamp rotation, order the appropriate rotating cam.

Note: Shaded areas reflect last revision(s) made to this form.