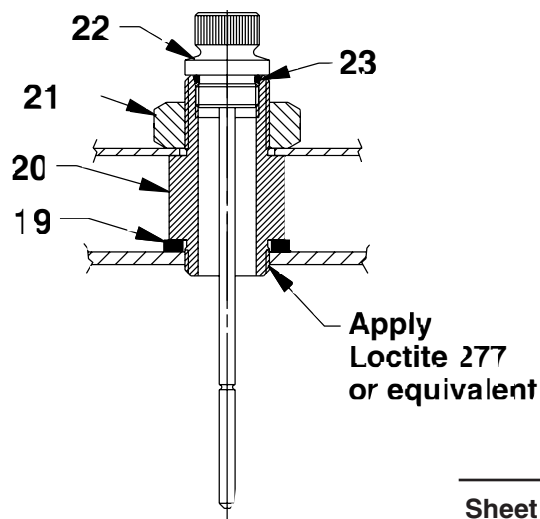
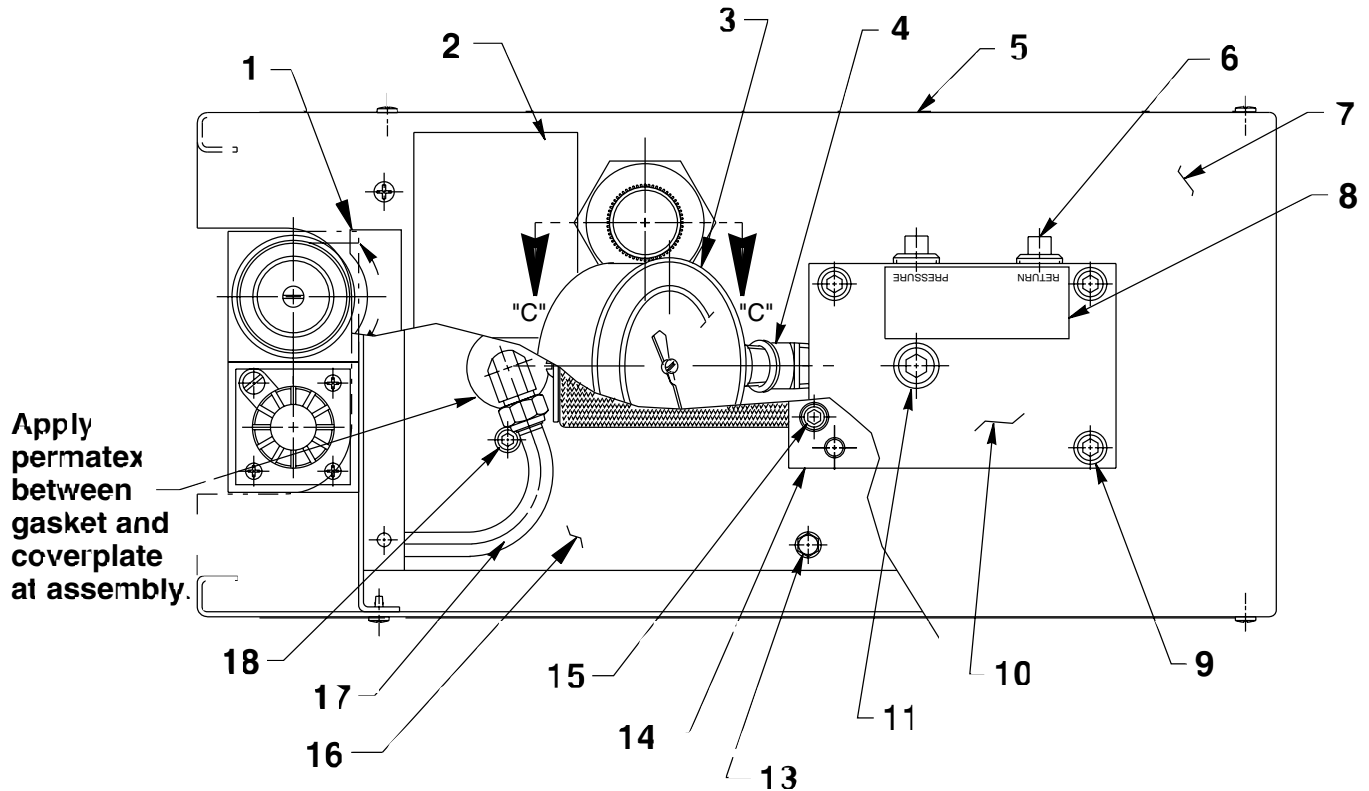


**MODEL F**  
**AIR HYDRAULIC PUMP**  
Max. Capacity: 4,800 PSI



# Parts List, Form No. 101667, Back sheet 1 of 3

Item No.	Part No.	No. Req'd	Description
1	202076	1	Decal
2	350492	1	Decal
3	17946	1	Pressure Gauge
4	10645	1	45° Street Elbow
5	309386	2	Decal
6	10970	2	Pipe Plug
7	58760WH2	1	Top Cover
8	210995	1	Manifold Decal
9	10020	4	Cap Screw (1/4-20 UNC X 1-1/4" Lg.)
10	45837	1	Manifold
11	10479	1	Pipe Plug
13	211060	6	Screw (#9-15 X 1" Lg.; Torque to 25/30 in. lbs.)
14	58714	1	Manifold
15	11151	4	Cap Screw (10-24 UNC X 1-1/4" Lg.; Torque to 50/60 in. lbs.)
16	58761WH2	1	Cover Plate
17	14726	.33 ft.	Tubing
18	11434	2	Cap Screw (10-24 UNC X 1/2 Lg.; Torque to 50/60 in. lbs.)
19	252041	1	Sealing Washer
20	351190	1	Filler Plug Adapter
21	252042	1	Hex Jam Nut
22	252070	1	Dipstick Assembly
23	*†10273	1	O-ring (13/16 X 5/8 X 3/32)

### PARTS INCLUDED BUT NOT SHOWN

211060	4	Screw (#9-15 X 1" Lg.; Torque to 25/30 in. lbs.; Note: For pump mounting purposes only.)
--------	---	--

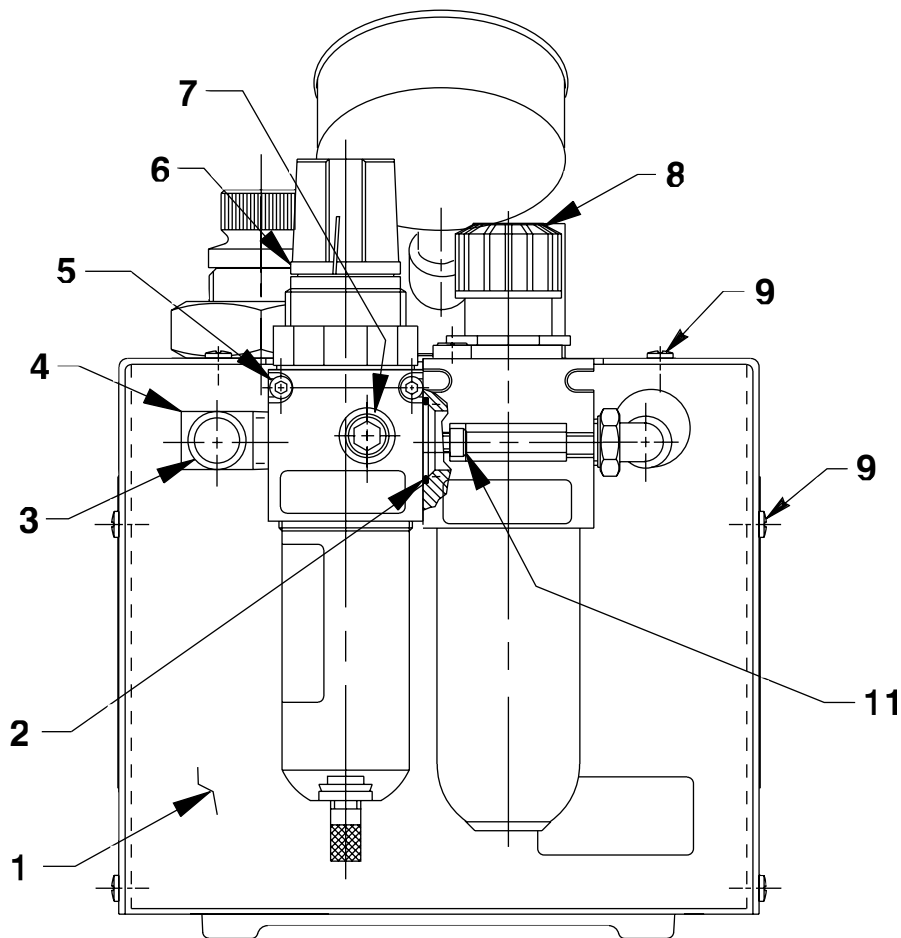
Part numbers marked with an asterisk (\*) are contained in Repair Kit No. 300888 for pump #100190.  
 Part numbers marked with a dagger (†) are contained in Repair Kit No. 300935 for pump #100920.

Refer to any operating instructions included with this product for detailed information about operation, testing, disassembly, reassembly, and preventive maintenance.

Items found in this parts list have been carefully tested and selected. **Therefore: Use only genuine Hytec replacement parts!**

Additional questions can be directed to our Technical Services Department.

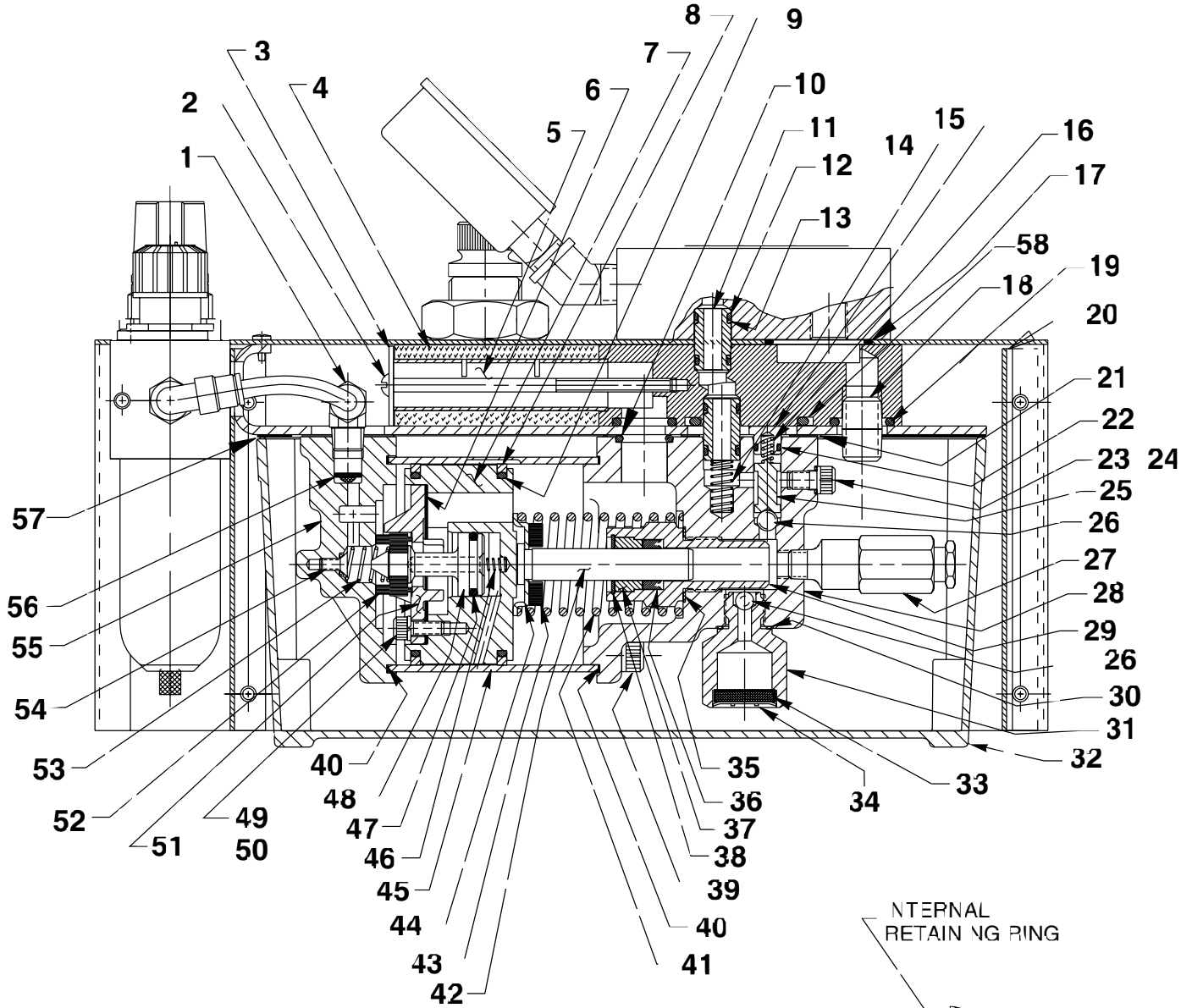
END VIEW



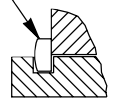
Item No.	Part No.	No. Req'd	Description
1	421229PU2	1	Front Panel
2	*†10273	1	O-ring (13/16 X 5/8 X 3/32)
3	14794	1	Plastic Cap
4	15373	1	Elbow
5	252064	2	Soc. Hd. Cap Screw
6	252032	1	Filter Regulator Assembly (For replacement bowl order no. 251812, For replacement filter order no. 251811)
7	15499	2	Pipe Plug
8	252030	1	Air Lubricator (For replacement bowl order no. 251813)
9	14126	10	Screw (10-24 X 3/8 Lg.)
11	10826	2	Cap Screw (#8-32 UNC X 1/2 Lg.)

Part numbers marked with an asterisk (\*) are contained in Repair Kit No. 300888 for pump #100190.  
 Part numbers marked with a dagger (†) are contained in Repair Kit No. 300935 for pump #100920.

### BASIC PUMP ASSEMBLY



INTERNAL  
RETAINING RING



DETAIL B

Item No.	Part No.	No. Req'd	Description	Item No.	Part No.	No. Req'd	Description
1	15457	2	Elbow	34	214586	1	Internal Retaining Ring
2	16453	1	Screw (#10-24 UNC X 4" Lg.; Apply Loctite)	35	*†10263	1	Copper Washer (1" X .765 X 1/32)
3	16450	1	Steel Washer (For 1/4 Bolt)	36	*14121	1	U-cup Packing (For 100190)
4	*†29992	1	Foam Tube		†252373	1	U-cup Packing (For 100920)
5	28387	1	Muffler	37	*202624	1	Retainer (For 100190; Note: See "INSTRUCTIONS FOR RETAINER REPLACEMENT" on back sheet 3 of 3.)
6	*†28239	1	Gasket		†252374	1	Retainer (For 100920; Note: See "INSTRUCTIONS FOR RETAINER REPLACEMENT" on back sheet 3 of 3.)
7	52390	1	Piston Body	38	11034	1	Retaining Ring (Install with sharp edge toward the retained part. See Detail "B".)
8	*†14265	2	Piston Ring	39	17428	4	Soc. Hd. Cap Screw (1/4-20 UNC X 3-1/2" Lg.; Torque to 85/95 in. lbs. oiled; Note: Cross torque in increments of 30 in. lbs.)
9	*†251835	2	O-ring (2-1/2" X 2-5/16" X 3/32)	40	*†17429	2	Backup Ring (2-15/16" X 2-3/4" X .045)
10	*†10272	1	O-ring (3/4 X 9/16 X 3/32)	41	*†13938	1	Spring (1.452 O.D. X 4-7/16" Lg.)
11	21094	2	Bushing	42	*28400	1	Piston (For 100190)
12	*†10268	4	O-ring (1/2 X 3/8 X 1/16)		†252372	1	Piston (For 100920)
13	*†11863	4	Backup Washer (1/2 X 3/8 X 1/16)	43	*202613	1	Bumper (For 100190)
14	*†16448	1	Compression Spring (5/16 O.D. X 13/16 Lg.)		†252371	1	Bumper (For 100920)
15	36497	1	Check Valve Retainer	44	*211082	1	Spring Guide (For 100190)
16	*†10445	1	Compression Spring (5/32 O.D. X 3/4 Lg.)		†252370	1	Spring Guide (For 100920)
17	*†16684	1	O-ring (1-3/16" X 1" X 3/32)	45	351122	1	Air Cylinder (Note: Locate groove on upper half (Top) of pump with chamfered tube end towards rear head as shown.)
18	15024	1	Close Nipple	46	*†12692	1	Compression Spring (3/16 O.D. X 1-11/16" Lg.)
19	*†10276	2	O-ring (1" X 3/4 X 1/8)	47	*†211052	1	O-ring (.900 X .706 X .097)
20	42357PU2	1	Front Panel	48	305475	1	Exhaust Valve Stem
21	*†351021	1	Gasket	49	10241	3	Lockwasher (For #10 bolt)
22	*†12522	1	O-ring (3/8 X 1/4 X 1/16)	50	211054	3	Screw (#10-24 X 1/2 Lg.; Torque to 50/55 in. lbs.)
23	*†10442	2	Washer (3/8 X 1/4 X 1/32)	51	33822	1	Piston End Plate
24	10002	1	Cap Screw (1/4-20 UNC X 3/8 Lg.; Torque to 90/110 in. lbs.)	52	*†28183	1	Piston Poppet
25	202568	1	Ball Guide	53	*†205679	1	Compression Spring (.485 O.D. X .915 Lg.)
26	*†10423	2	Steel Ball (9/32 Dia.)	54	205674	1	Screw (8-32 UNC X 3/8 Lg.; Torque to 12/18 in. lbs.)
27	21278-48	1	Relief Valve (Set at 4,900/5,300 PSI; Apply loctite 592 [Power Team #905516] or equiv. & torque to 150/170 in. lbs.)	55	37468	1	Rear Head
28	64767	1	Pump Body	56	*†216296	1	Filter Disc
29	*33959	1	Cylinder (Torque to 90 /100 ft. lbs. oiled; For 100190)	57	*†33853	1	Reservoir Gasket
	†421403	1	Cylinder (Torque to 90 /100 ft. lbs. oiled; For 100920)	58	*†11841	1	O-ring (1.62 x 1.37 Nitrile)
30	*†10261	1	Copper Washer (3/4 X 19/32 X 1/32)				
31	48010	1	Filter Adapter (Torque to 40/50 ft. lbs. oiled)				
32	61243	1	Reservoir				
33	214578	1	Filter				

Part numbers marked with an asterisk (\*) are contained in Repair Kit No. 300888 for pump #100190.

Part numbers marked with a dagger (†) are contained in Repair Kit No. 300935 for pump #100920.

Note: Shaded areas reflect last revision(s) made to this form.

## INSTRUCTIONS FOR RETAINER REPLACEMENT

Your pump's retainer is locked into place by one of the two following methods. Determine which method was used on your pump's retainer, then follow the appropriate steps to remove the old and install and stake the new.

### Method 1 - Retainer shows no sign of stake marks

1. This retainer has been locked in place with a Loctite product. To replace it, a moderate amount of heat needs to be applied to the cylinder nut (in the area of the retainer) to soften the existing Loctite allowing it to be removed.
2. Install the new retainer into the cylinder nut and torque to 80/100 in. lbs. **Note: Do not use a Loctite product this time but stake the new retainer in place according to instructions in Step 3.**
3. To lock retainer into place, use a center punch positioned in the seam between the retainer and the cylinder nut and stake the new retainer in two places approximately 180° apart.

### Method 2 - Retainer has two stake marks in the seam between the retainer and the cylinder nut

1. For replacement of this retainer, the stake marks must be removed. Using a 1/8" or larger diameter drill bit, remove the existing stakes by drilling a short distance into the stake marks. Remove the retainer.
2. Install the new retainer into the cylinder nut and torque to 80/100 in. lbs.
3. To lock retainer into place, use a center punch positioned in the seam between the retainer and the cylinder nut and stake the new retainer in two places approximately 180° apart.

**NOTE: Do not stake in the old stake marks.**

Note: This page added at last revision(s) made to this form.