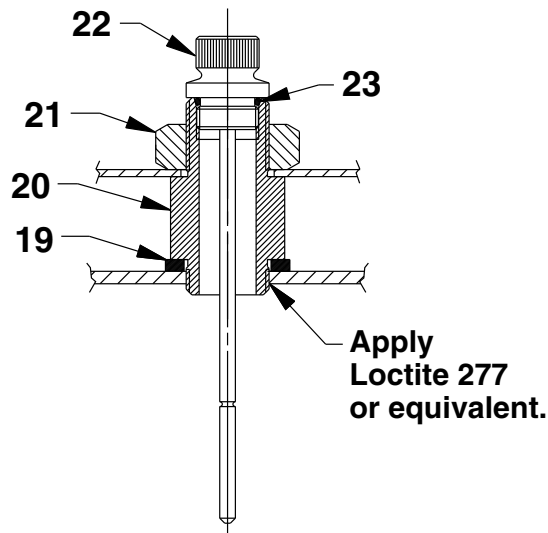
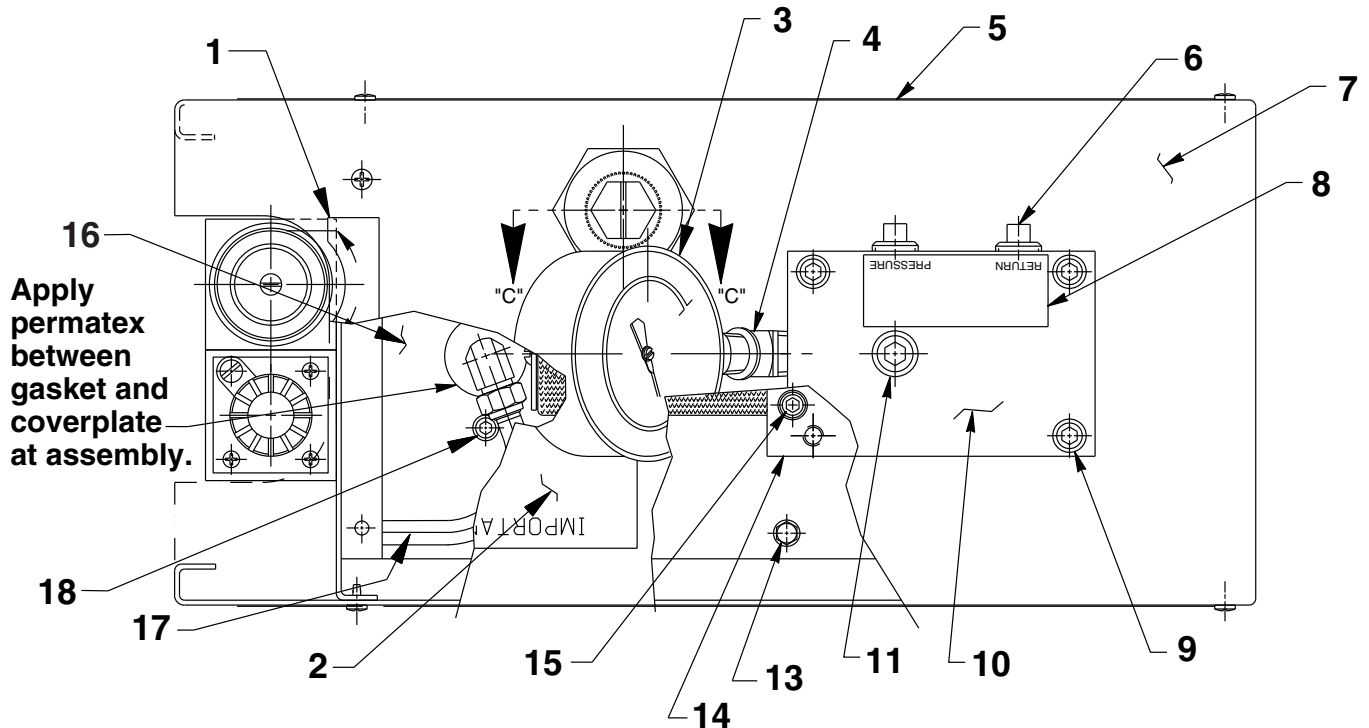


MODEL F
AIR HYDRAULIC PUMP
Max. Capacity: 1,500 PSI



Parts List, Form No. 101669, Back sheet 1 of 3

Item No.	Part No.	No. Req'd	Description
1	202076	1	Decal
2	350492	1	Decal
3	420757	1	Pressure Gauge
4	10645	1	45° Street Elbow
5	309386	2	Decal
6	10970	2	Pipe Plug
7	58760WH2	1	Top Cover
8	210995	1	Manifold Decal
9	10020	4	Cap Screw (1/4-20 UNC X 1-1/4" Lg.)
10	45837	1	Manifold
11	10479	1	Pipe Plug
13	211060	6	Screw (#9-15 X 1" Lg.; Torque to 25/30 in. lbs.)
14	58714	1	Manifold
15	11151	4	Cap Screw (10-24 UNC X 1-1/4" Lg.; Torque to 50/60 in. lbs.)
16	58761WH2	1	Cover Plate
17	14726	.33 ft.	Tubing
18	11434	2	Cap Screw (10-24 UNC X 1/2 Lg.; Torque to 50/60 in. lbs.)
19	252041	1	Sealing Washer
20	351190	1	Filler Plug Adapter
21	252042	1	Hex Jam Nut
22	252070	1	Dipstick Assembly
23	*10273	1	O-ring (13/16 X 5/8 X 3/32)

PARTS INCLUDED BUT NOT SHOWN

211060	4	Screw (#9-15 X 1" Lg.; Torque to 25/30 in. lbs.; Note: For pump mounting purposes only.)
--------	---	--

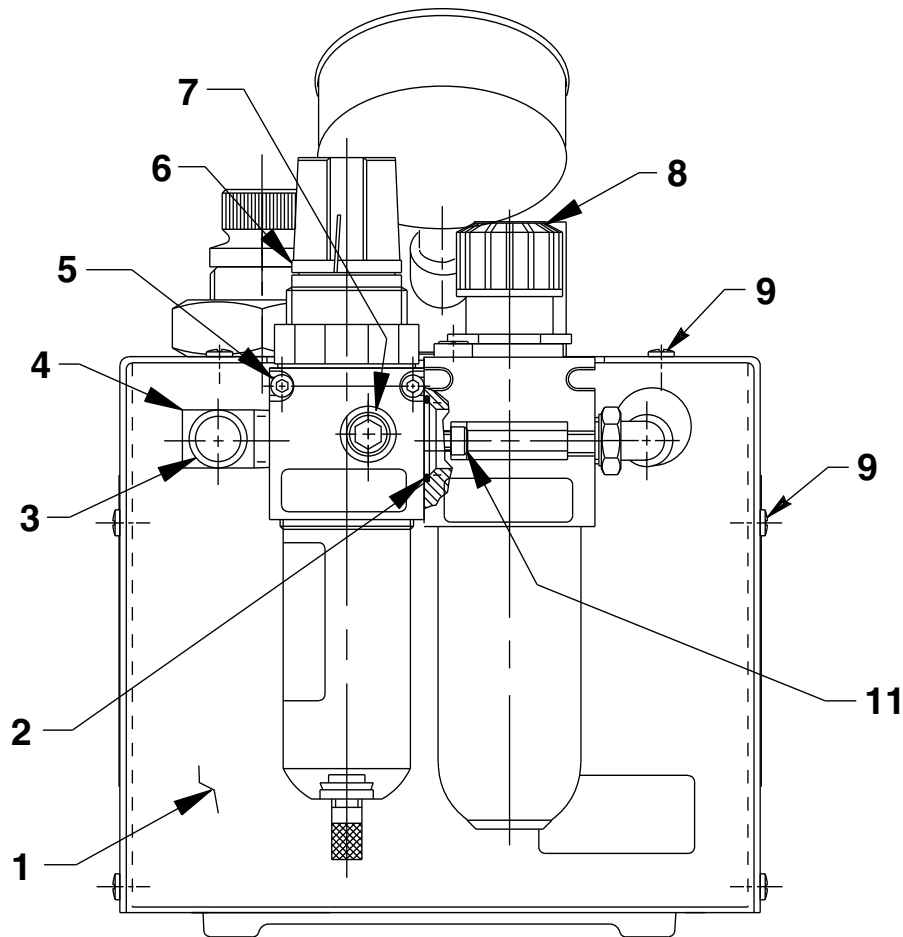
Part numbers marked with an asterisk (*) are contained in Repair Kit No. 300886.

Refer to any operating instructions included with this product for detailed information about operation, testing, disassembly, reassembly, and preventive maintenance.

Items found in this parts list have been carefully tested and selected. **Therefore: Use only genuine Hytec replacement parts!**

Additional questions can be directed to our Technical Services Department.

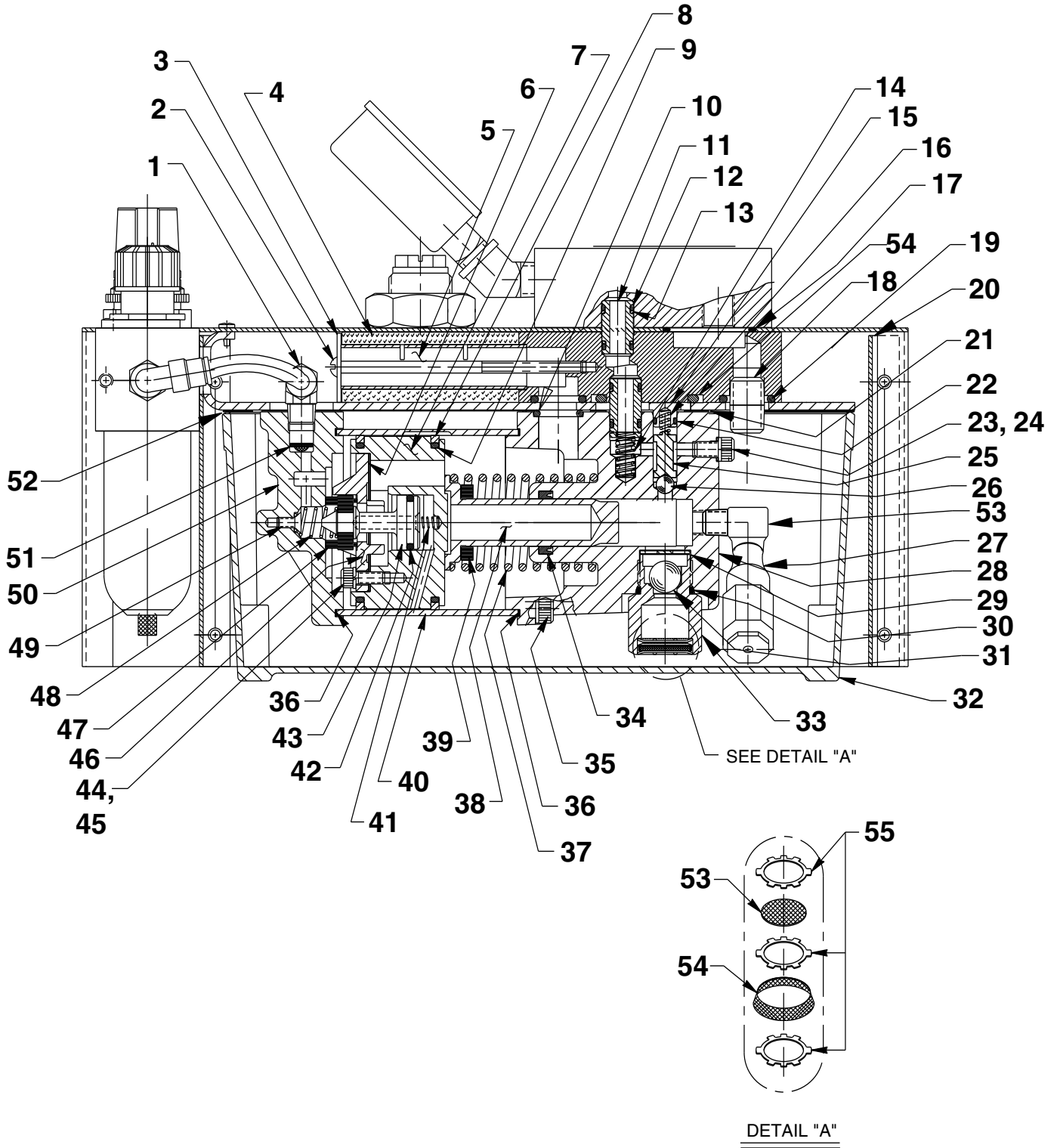
END VIEW



Item No.	Part No.	No. Req'd	Description
1	421229PU2	1	Front Panel
2	*10273	1	O-ring (13/16 X 5/8 X 3/32)
3	14794	1	Plastic Cap
4	15373	1	Elbow
5	252064	2	Soc. Hd. Cap Screw
6	252032	1	Filter Regulator Assembly (For replacement bowl order no. 251812, for replacement filter order no. 2521811)
7	15499	2	Pipe Plug
8	252030	1	Air Lubricator (For replacement bowl order no. 251813)
9	14126	10	Screw (10-24 X 3/8 Lg.)
11	10826	2	Cap Screw (#8-32 UNC X 1/2 Lg.)

Part numbers marked with an asterisk (*) are contained in Repair Kit No. 300886.

BASIC PUMP ASSEMBLY



Item No.	Part No.	No. Req'd	Description	Item No.	Part No.	No. Req'd	Description
1	15457	2	Elbow	29	202347	1	Ball Stop
2	16453	1	Screw (#10-24 UNC X 4" Lg.; Apply Loctite)	30	*10653	1	O-ring (.949 X .755 X .097)
3	16450	1	Steel Washer (For 1/4 Bolt)	31	*10379	1	Steel Ball (1/2 Dia.; Seat at assembly)
4	*29992	1	Foam Tube	32	61243	1	Reservoir
5	28387	1	Muffler	33	350383	1	Filter Adapter
6	*28239	1	Gasket	34	*16585	1	Packing
7	52390	1	Piston Body	35	17428	4	Soc. Hd. Cap Screw (1/4-20 UNC X 3-1/2" Lg.; Torque to 85/95 in. lbs. oiled; Note: Cross torque in increments of 30 in. lbs.)
8	*14265	2	Piston Ring	36	*17429	2	Backup Ring
9	*251835	2	O-ring (2-1/2" X 2-5/16" X 3/32)	37	*16584	1	Compression Spring (1-5/8" O.D. x 4-1/2" Lg.)
10	*10272	1	O-ring (3/4 X 9/16 X 3/32)	38	305791	1	Piston
11	21094	2	Bushing	39	202566	1	Bumper
12	*10268	4	O-ring (1/2 X 3/8 X 1/16)	40	37434	1	Air Cylinder (NOTE:Locate groove on upper half (top) of pump with chamfered tube end towards rear head as shown.)
13	*11863	4	Backup Washer (1/2 X 3/8 X 1/16)	41	*12692	1	Spring (3/16 O.D. X 1-11/16" Lg.)
14	*16448	1	Compression Spring (5/16 O.D. x 13/16 Lg.)	42	*211052	1	O-ring (.900 X .706 X .097)
15	36497	1	Check Valve Retainer	43	305475	1	Exhaust Valve Stem
16	*10445	1	Compression Spring (5/32 O.D. X 3/4 Lg.)	44	10241	3	Lockwasher (For #10 bolt)
17	*16684	1	O-ring (1-3/16" X 1" X 3/32)	45	211054	3	Screw (#10-24 X 1/2 Lg.; Torque to 50/55 in. lbs.)
18	15024	1	Close Nipple	46	33822	1	Piston End Plate
19	*10276	2	O-ring (1" X 3/4 X 1/8)	47	28183	1	Piston Poppet
20	42357PU2	1	Front Panel	48	*205679	1	Spring (.485 O.D. X .915 Lg.)
21	*351021	1	Gasket	49	205674	1	Screw (8-32 UNC X 3/8 Lg.; Torque to 12/18 in. lbs.)
22	*12522	1	O-ring (3/8 X 1/4 X 1/16)	50	37468	1	Rear Head
23	*10442	2	Washer (3/8 X 1/4 X 1/32)	51	*216296	1	Filter Disc
24	10002	1	Cap Screw (1/4-20 UNC X 3/8 Lg.; Torque to 90/110 in. lbs.)	52	*33853	1	Reservoir Gasket
25	202568	1	Ball Guide	53	13229	1	Elbow Fitting
26	*10423	1	Steel Ball (9/32 Dia.)	54	*11841	1	O-ring (1.62 x 1.37 Nitrile)
27	21278-15	1	Relief Valve (Set at 1,500/1,700 PSI; Apply loctite 592 [Power Team #905516] or equiv. & torque to 150/170 in. lbs.)				
28	58764	1	Pump Body				

Part numbers marked with an asterisk (*) are contained in Repair Kit No. 300886.

Note: Shaded areas reflect last revision(s) made to this form.