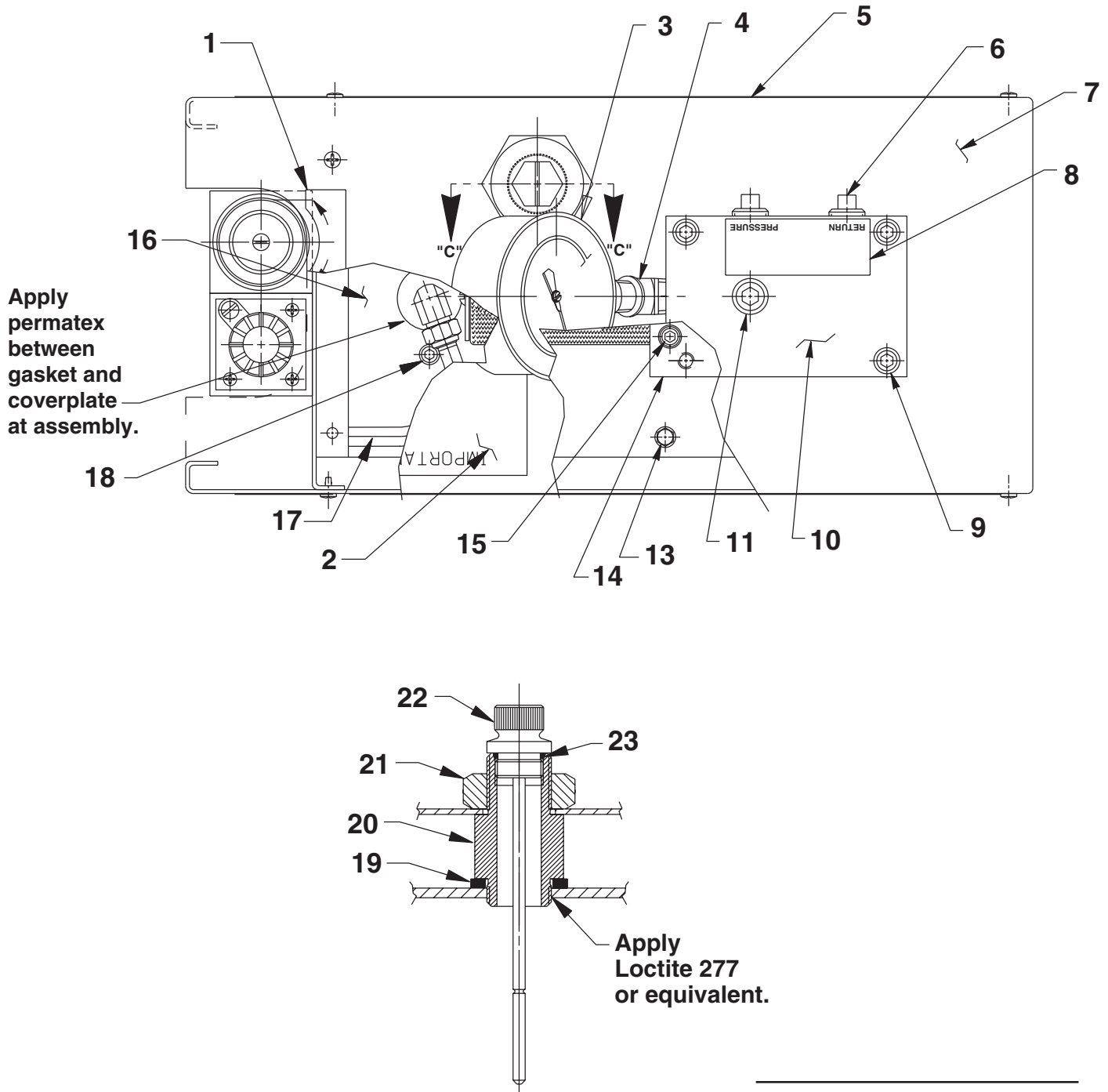


**MODEL F
AIR HYDRAULIC PUMP**

Rated Capacity: 3,325 PSI at 125 PSI Air Max.



Parts List, Form No. 101670, Back sheet 1 of 3

Item No.	Part No.	No. Req'd	Description
1	202076	1	Decal
2	350492	1	Decal
3	17946	1	Pressure Gauge
4	10645	1	45° Street Elbow
5	309386	2	Decal
6	10970	2	Pipe Plug
7	58760WH2	1	Top Cover
8	210995	1	Manifold Decal
9	10020	4	Cap Screw (1/4-20 UNC X 1-1/4" Lg.)
10	45837	1	Manifold
11	10479	1	Pipe Plug
13	211060	6	Screw (#9-15 X 1" Lg.; Torque to 25/30 in. lbs.)
14	58714	1	Manifold
15	11151	4	Cap Screw (10-24 UNC X 1-1/4" Lg.; Torque to 50/60 in. lbs.)
16	58761WH2	1	Cover Plate
17	14726	.33 ft.	Tubing
18	11434	2	Cap Screw (10-24 UNC X 1/2 Lg.; Torque to 50/60 in. lbs.)
19	252041	1	Sealing Washer
20	351190	1	Filler Plug Adapter
21	252042	1	Hex Jam Nut
22	252070	1	Dip Stick Assembly
23	10273	1	O-ring (13/16 X 5/8 X 3/32)

PARTS INCLUDED BUT NOT SHOWN

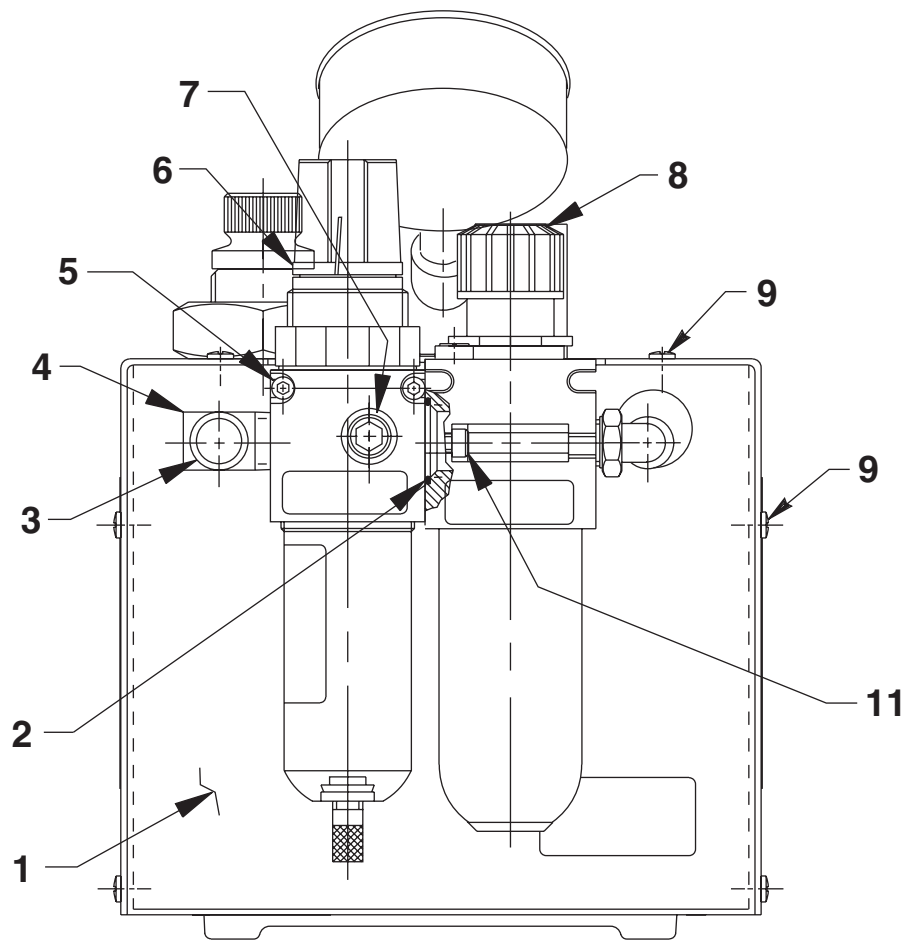
211060	4	Screw (#9-15 X 1" Lg.; Torque to 25/30 in. lbs.; Note: For pump mounting purposes only.)
--------	---	--

Refer to any operating instructions included with this product for detailed information about operation, testing, disassembly, reassembly, and preventive maintenance.

Items found in this parts list have been carefully tested and selected. **Therefore: Use only genuine Hytec replacement parts!**

Additional questions can be directed to our Technical Services Department.

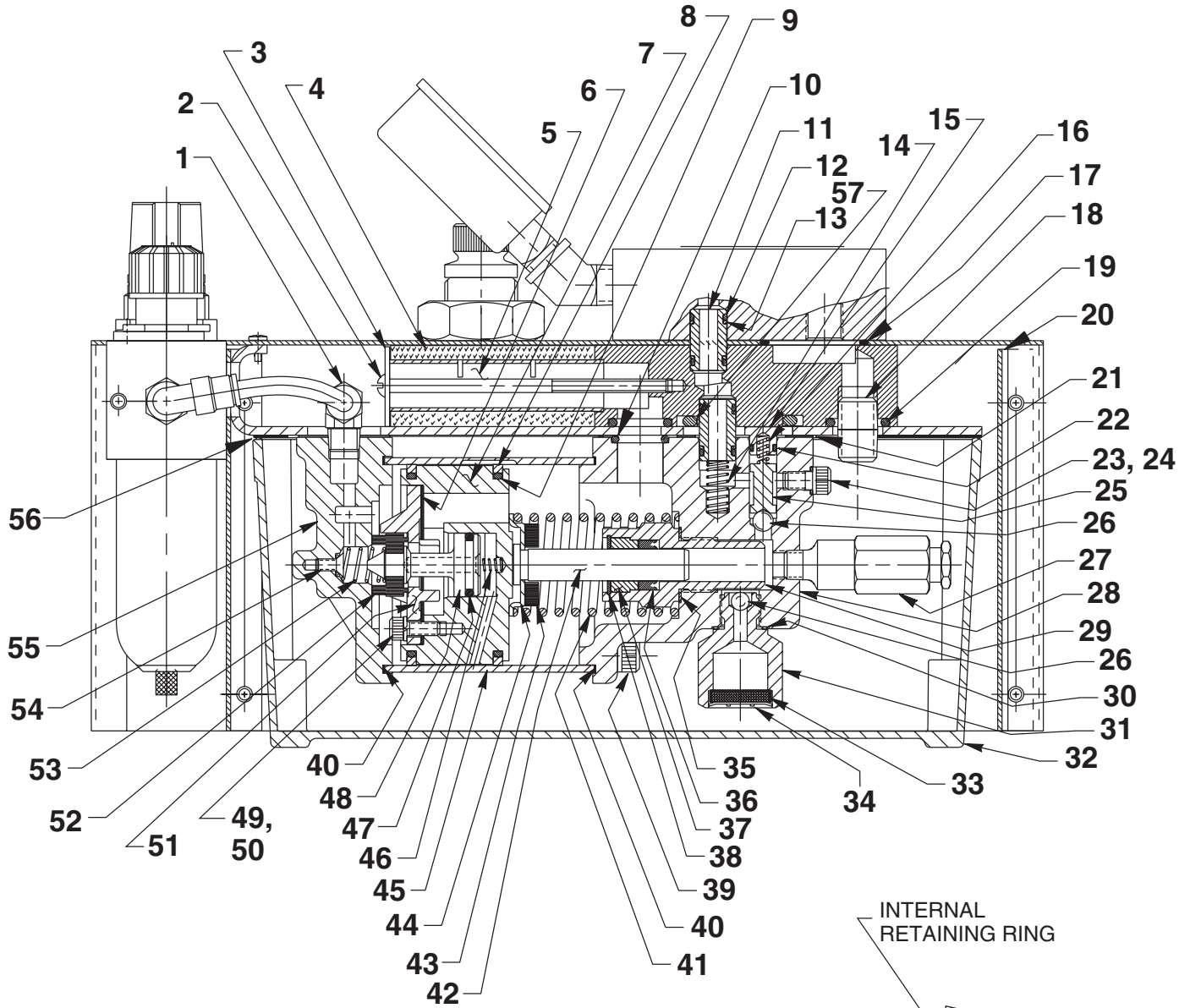
END VIEW



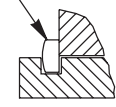
Item No.	Part No.	No. Req'd	Description
1	421229PU2	1	Front Panel
2	*10273	1	O-ring (13/16 X 5/8 X 3/32)
3	14794	1	Plastic Cap
4	15373	1	Elbow
5	252064	2	Soc. Hd. Cap Screw
6	252032	1	Filter Regulator (For replacement bowl, order #251812; For replacement filter, order #251811)
7	15499	2	Pipe Plug
8	252030	1	Air Lubricator (For replacement bowl, order #251813)
9	14126	10	Screw (10-24 X 3/8 Lg.)
11	10826	2	Cap Screw (#8-32 UNC X 1/2 Lg.)

Part numbers marked with an asterisk (*) are contained in Repair Kit No. 300834.

BASIC PUMP ASSEMBLY



INTERNAL
RETAINING RING



DETAIL "B".

Item No.	Part No.	No. Req'd	Description	Item No.	Part No.	No. Req'd	Description
1	15457	2	Elbow	31	48010	1	Filter Adapter (Torque to 40/50 ft. lbs. oiled)
2	16453	1	Screw (#10-24 UNC X 4" Lg.; Apply Loctite)	32	61243	1	Reservoir
3	16450	1	Steel Washer (For 1/4 Bolt)	33	214578	1	Filter
4	*29992	1	Foam Tube	34	214586	1	Internal Retaining Ring
5	28387	1	Muffler	35	*10263	1	Copper Washer (1" X .765 X 1/32)
6	*28239	1	Gasket	36	*250204	1	U-cup Packing
7	52390	1	Piston Body	37	250207	1	Retainer
8	*14265	2	Piston Ring	38	250208	1	Retaining Ring (Install with sharp edge toward the retained part. See Detail "B".)
9	*251835	2	O-ring (2-1/2" X 2-5/16" X 3/32)				
10	*10272	1	O-ring (3/4 X 9/16 X 3/32)	39	17428	4	Soc. Hd. Cap Screw (1/4-20 UNC X 3-1/2" Lg.; Torque to 85/95 in. lbs. oiled; Note: Cross torque in increments of 30 in. lbs.)
11	21094	2	Bushing				
12	*10268	4	O-ring (1/2 X 3/8 X 1/16)	40	*17429	2	Backup Ring (2-15/16" X 2-3/4" X .045)
13	*11863	4	Backup Washer (1/2 X 3/8 X 1/16)	41	*13938	1	Spring (1.452 O.D. X 4-7/16" Lg.)
14	16448	1	Compression Spring (5/16 O.D. X 13/16 Lg.)	42	350071	1	Piston
15	36497	1	Check Valve Retainer	43	250205	1	Bumper
16	*10445	1	Compression Spring (5/32 O.D. X 3/4 Lg.)	44	250206	1	Spring Guide
17	*16684	1	O-ring (1-3/16" X 1" X 3/32)	45	351122	1	Air Cylinder (Note: Locate groove on upper half (Top) of pump with chamfered tube end towards rear head as shown.)
18	15024	1	Close Nipple				
19	*10276	2	O-ring (1" X 3/4 X 1/8)	46	*12692	1	Compression Spring (3/16 O.D. X 1-11/16" Lg.)
20	42357PU2	1	Front Panel	47	*211052	1	O-ring (.900 X .706 X .097)
21	*351021	1	Gasket	48	305475	1	Exhaust Valve Stem
22	*12522	1	O-ring (3/8 X 1/4 X 1/16)	49	*10241	3	Lockwasher (For #10 bolt)
23	*10442	2	Washer (3/8 X 1/4 X 1/32)	50	211054	3	Screw (#10-24 X 1/2 Lg.; Torque to 50/55 in. lbs.)
24	10002	1	Cap Screw (1/4-20 UNC X 3/8 Lg.; Torque to 90/110 in. lbs.)	51	33822	1	Piston End Plate
25	202568	1	Ball Guide	52	*28183	1	Piston Poppet
26	*10423	2	Steel Ball (9/32 Dia.)	53	*205679	1	Compression Spring (.485 O.D. X .915 Lg.)
27	21278-35	1	Relief Valve (Set at 3,500/3,800 PSI; Apply loctite 592 [Power Team #905516] or equiv. & torque to 150/170 in. lbs.)	54	*205674	1	Screw (8-32 UNC X 3/8 Lg.; Torque to 12/18 in. lbs.)
28	64767	1	Pump Body	55	37468	1	Rear Head
29	420043	1	Cylinder (Torque to 90 /100 ft. lbs. oiled)	56	*33853	1	Reservoir Gasket
30	*10261	1	Copper Washer (3/4 X 19/32 X 1/32)	57	*11841	1	O-ring (1.62 x 1.37 Nitrile)

Part numbers marked with an asterisk (*) are contained in Repair Kit No. 300834.