

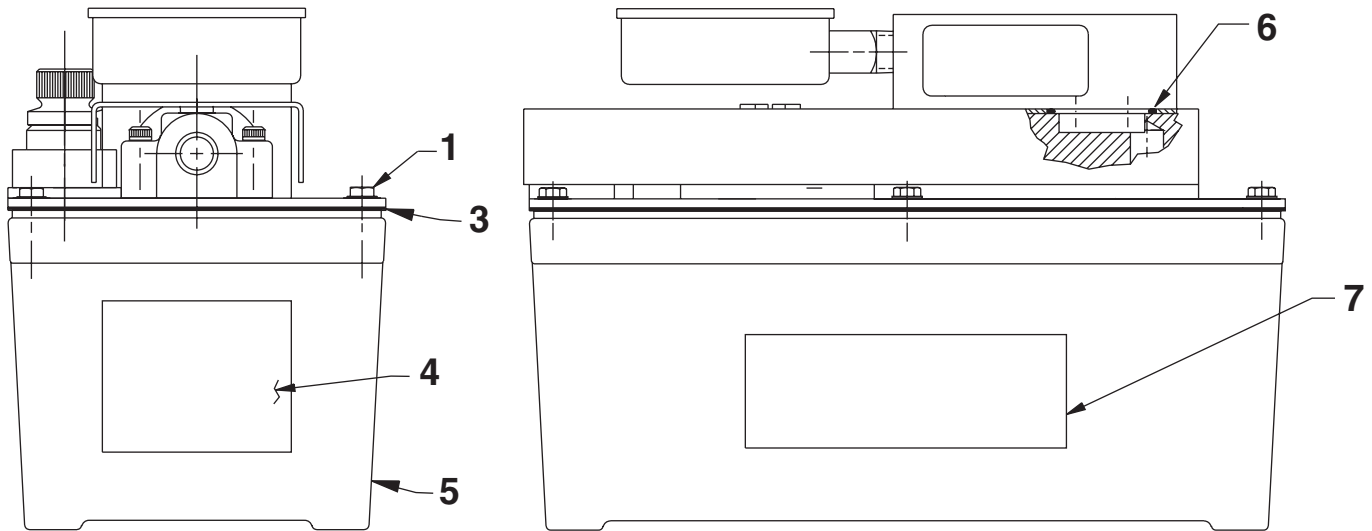


SPX Corporation  
5885 11th Street  
Rockford, IL 61109-3699 USA

Tech. Services: (800) 477-8326  
Fax: (800) 765-8326  
Order Entry: (800) 541-1418  
Fax: (800) 288-7031

Internet Address:  
<http://www.hytec.com>

**MODEL F  
AIR HYDRAULIC PUMP  
GENERAL SECTION**



Item No.	Part No.	No. Req'd	Description
1	211060	6	Screw (#9-15 X 1" Lg.)
3	*33853	1	Reservoir Gasket
4	305494	1	Decal
5	61243	1	Reservoir
6	*16684	1	O-ring (1-3/16" X 1" X 3/32)
7	211533	2	Tradename Decal

**PARTS INCLUDED BUT NOT SHOWN**

211060	4	Screw (#9-15 X 1" Lg.; Torque to 25/35 in. lbs.; For pump mounting purposes only.)
--------	---	--

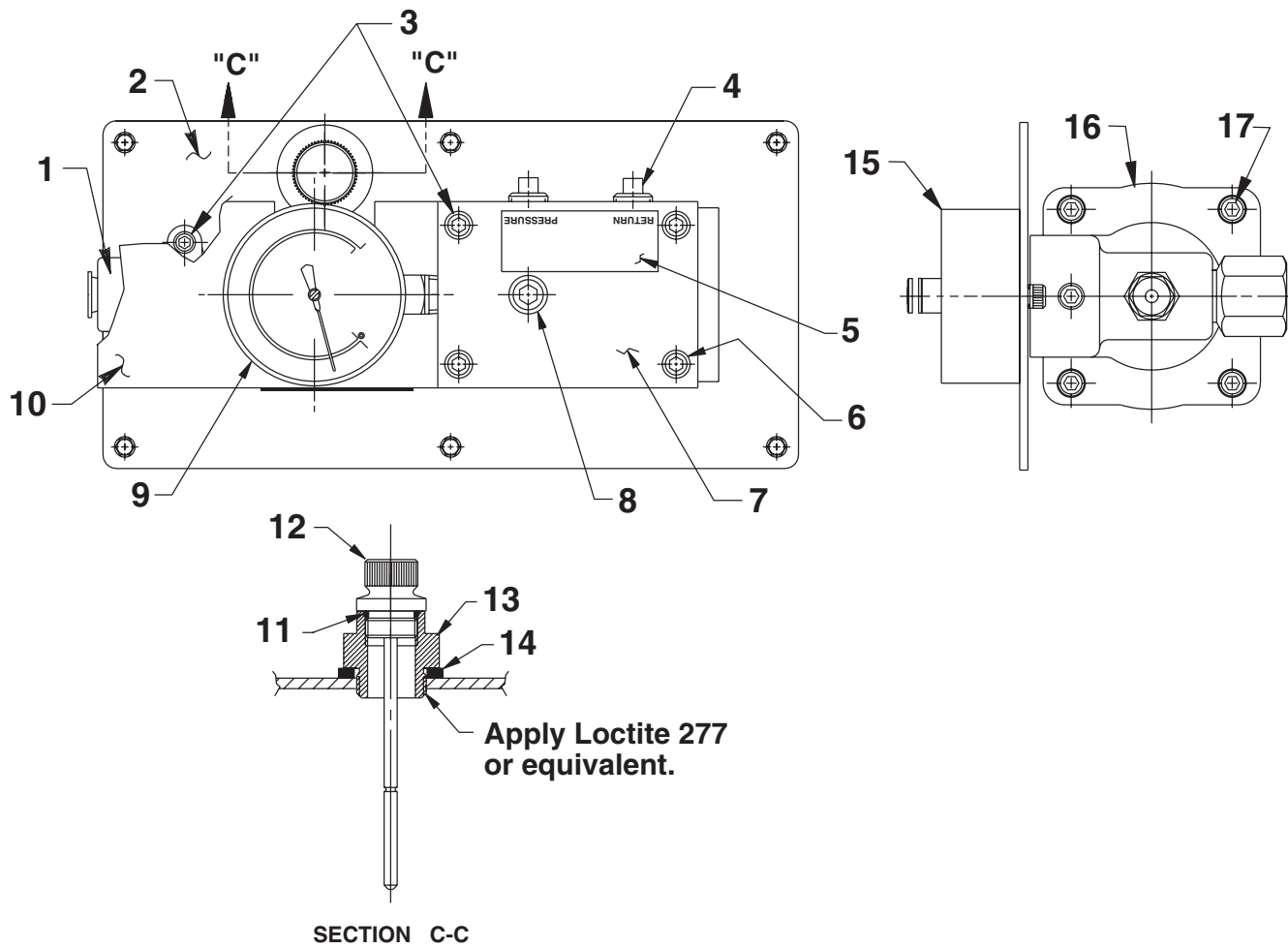
Part numbers marked with an asterisk (\*) are contained in Repair Kit No. 300888.

Note: Removed #251677 (Item #2) Washers.

Sheet No. 1 of 2

Rev. 2 Date: 15 Sept 1997

TOP & END VIEWS



Item No.	Part No.	No. Req'd	Description
1	309246	1	Intake
2	421240BK2	1	Cover Plate
3	11151	6	Cap Screw (10-24 UNC X 1-1/4" Lg.; Torque to 50/60 in. lbs.)
4	10970	2	Pipe Plug (1/4 NPTF)
5	210995	1	Decal
6	10020	4	Cap Screw (1/4-20 UNC X 1-1/4" Lg.)
7	45837	1	Manifold
8	10479	1	Pipe Plug (1/4 NPTF)
9	17946	1	Pressure Gauge

Item No.	Part No.	No. Req'd	Description
10	351219BK2	1	Shroud
11	*10273	1	O-ring (13/16 X 5/8 X 3/32)
12	252076	1	Dipstick Assembly
13	351214	1	Filler Plug Adapter
14	252041	1	Sealing Washer
15	58714	1	Manifold
16	64767	1	Pump Body
17	17428	4	Soc. Hd. Cap Screw (1/4-20 UNC X 3-1/2" Lg.; Torque to 85/95 in. lbs.)

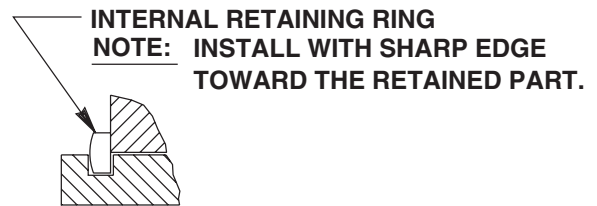
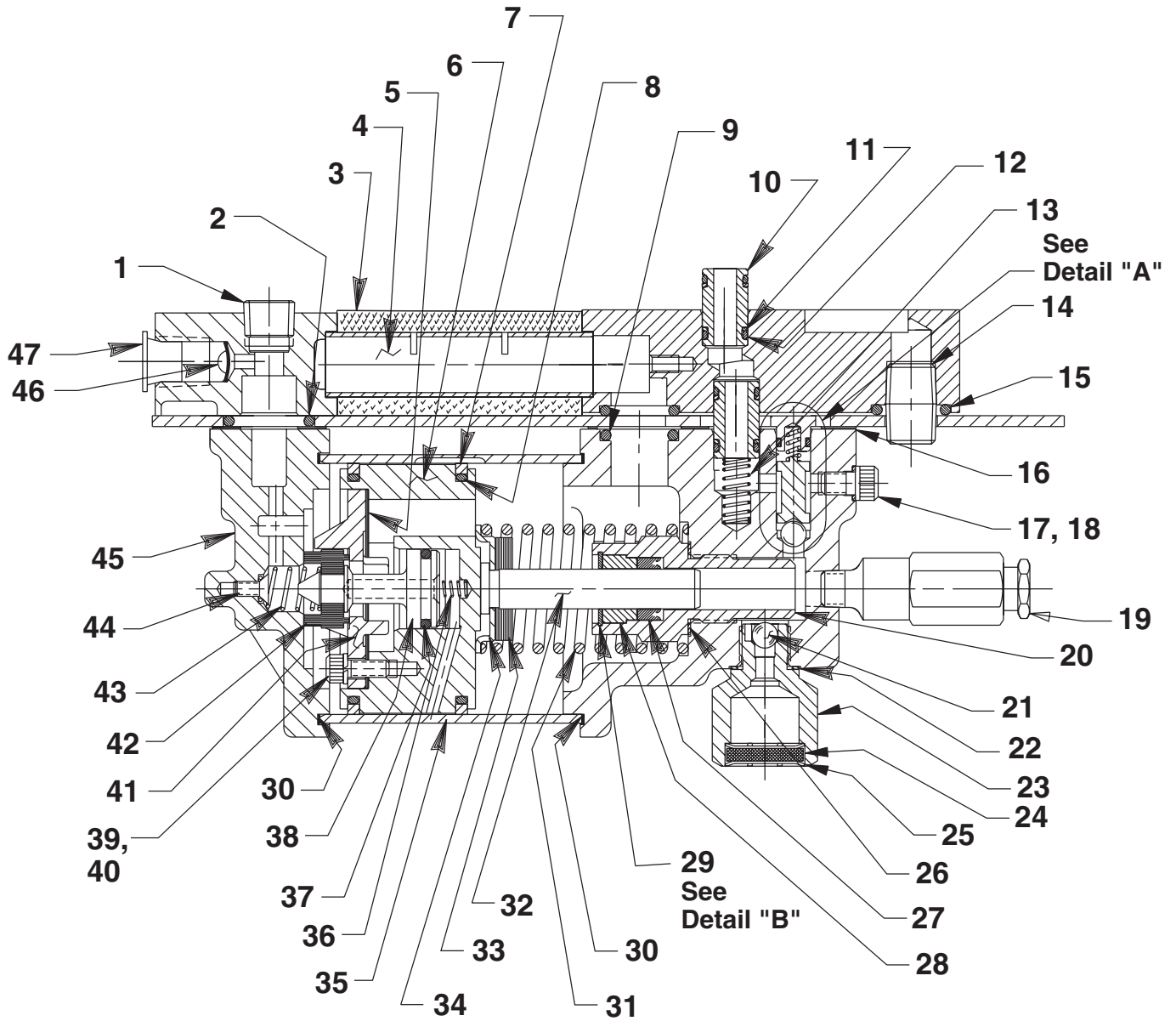
Part numbers marked with an asterisk (\*) are contained in Repair Kit No. 300888.

Refer to any operating instructions included with this product for detailed information about operation, testing, disassembly, reassembly, and preventive maintenance.

Items found in this parts list have been carefully tested and selected. **Therefore: Use only genuine Hytec replacement parts!**

Additional questions can be directed to our Technical Services Department.

**BASIC ASSEMBLY**



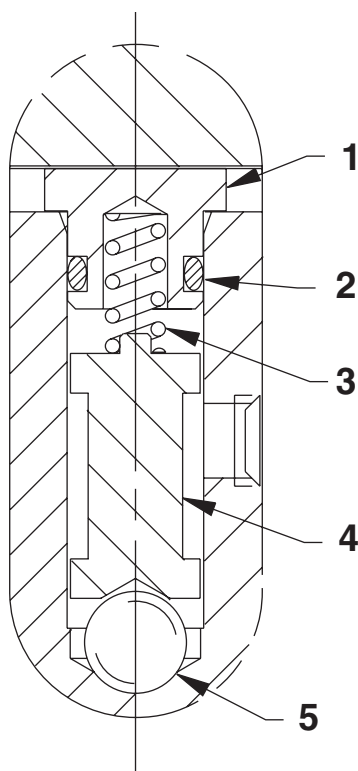
**DETAIL "B"**

# Parts List, Form No. 101677, Back sheet 2 of 2

Item No.	Part No.	No. Req'd	Description	Item No.	Part No.	No. Req'd	Description
1	14972	1	Pipe Plug (1/4 NPTF)	26	*10263	1	Copper Washer (1" X .765 X 1/32)
2	*251717	1	O-ring (1" X 5/8 X 3/16)	27	*14121	1	U-cup Packing
3	*29992	1	Foam Tube	28	202624	1	Retainer
4	28387	1	Muffler	29	11034	1	Retaining Ring
5	*28239	1	Gasket	30	*17429	2	Backup Ring
6	52390	1	Piston Body	31	*13938	1	Compression Spring (1.452 O.D. X 4-7/16" Lg.)
7	*14265	2	Piston Ring	32	28400	1	Piston
8	*251835	2	O-ring (2-1/2" X 2-5/16" X 3/32)	33	202613	1	Bumper
9	*10272	1	O-ring (3/4 X 9/16 X 3/32)	34	211082	1	Spring Guide
10	21094	2	Bushing	35	351122	1	Air Cylinder (Note: Locate groove on upper half (top) of pump with chamfered tube end towards rear head as shown.)
11	*11863	4	Backup Washer	36	*12692	1	Compression Spring (3/16 O.D. X 1-11/16" Lg.)
12	*10268	4	O-ring (1/2 X 3/8 X 1/16)	37	*211052	1	O-ring (.900 X .706 X .097)
13	*16448	1	Compression Spring (5/16 O.D. X 13/16 Lg.)	38	305475	1	Exhaust Valve Stem
14	15024	1	Close Nipple	39	10241	3	Lockwasher (For #10 bolt)
15	*10276	2	O-ring (1" X 3/4 X 1/8)	40	211054	3	Screw (#10-24 X 1/2 Lg.; Torque to 50/55 in. lbs.)
16	*351021	1	Gasket	41	33822	1	Piston End Plate
17	*10442	1	Washer (3/8 X 1/4 X 1/32)	42	*28183	1	Piston Poppet
18	10002	1	Cap Screw (1/4-20 UNC X 3/8 Lg.; Torque to 90/100 in. lbs.)	43	*205679	1	Spring (.485 O.D. X .915 Lg.)
19	21278-48	1	Relief Valve (Set at 4,900/5,300 PSI)	44	205674	1	Screw (8-32 UNC X 3/8 Lg.; Torque to 12/18 in. lbs.)
20	33959	1	Cylinder (Torque to 90/100 ft. lbs.)	45	51480	1	Rear Head
21	*10423	1	Steel Ball (9/32 Dia.)	46	*216296	1	Filter Disc
22	*10261	1	Copper Washer (3/4 X 19/32 X 1/32)	47	14794	1	Plastic Cap
23	48010	1	Filter Adapter (Torque to 40/50 ft. lbs.)				
24	214578	1	Filter				
25	214586	2	Internal Retaining Ring				

Part numbers marked with an asterisk (\*) are contained in Repair Kit No. 300888.

## DETAIL "A"



Item No.	Part No.	No. Req'd	Description
1	36497	1	Check Valve Retainer
2	*12522	1	O-ring (3/8 X 1/4 X 1/16; Urethane)
3	*10445	1	Compression Spring
4	202568	1	Ball Guide
5	*10423	1	Steel Ball (9/32 Dia.)

Part numbers marked with an asterisk (\*) are contained in Repair Kit No. 300888.

Note: Shaded areas reflect last revision(s) made to this form.