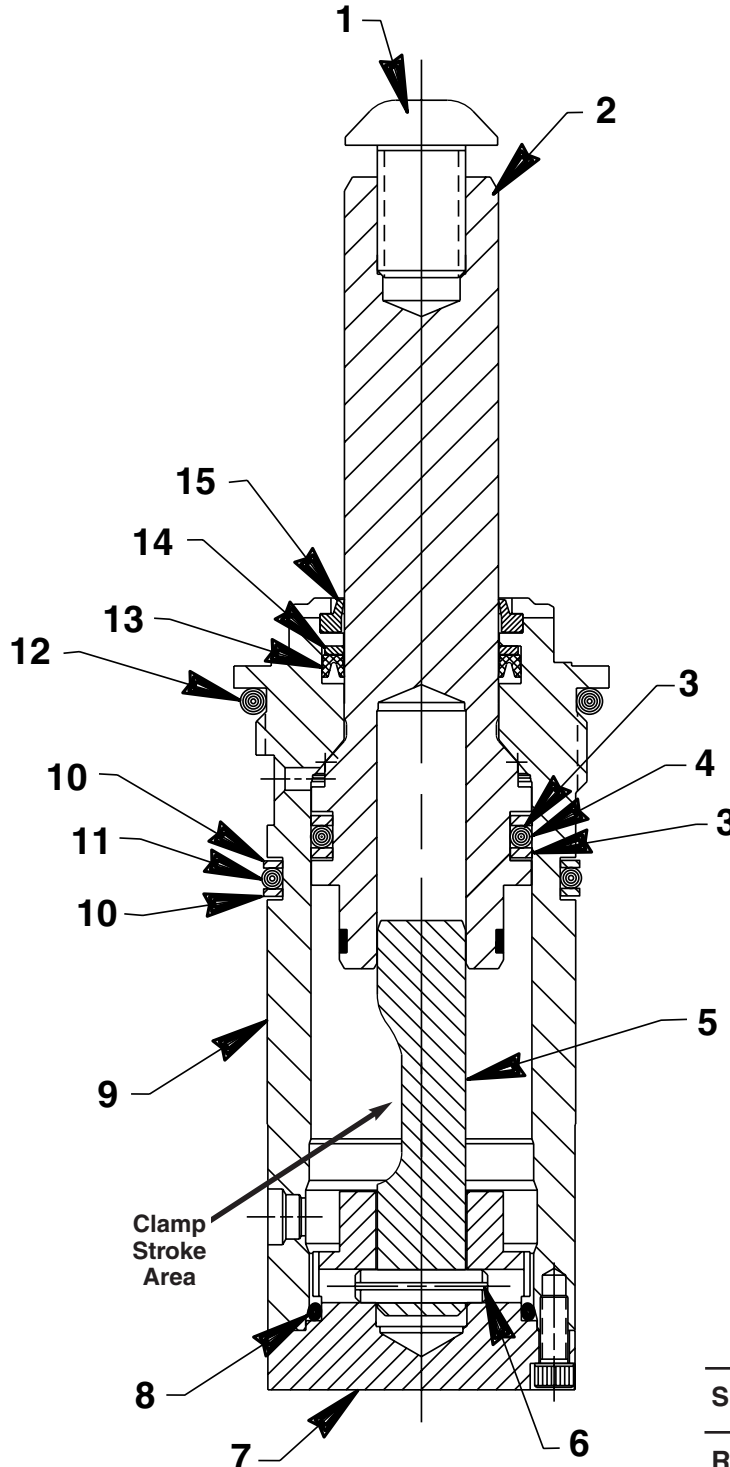
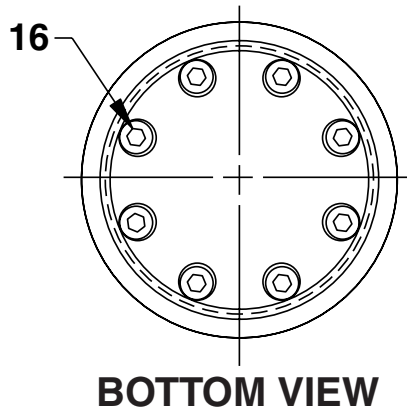


**CARTRIDGE STYLE MOUNT  
DOUBLE-ACTING SWING CLAMP**

Capacity: 2400 lbs. Clamping Force (with 2" lg. arm) at 5,000 PSI Max.  
100960 - Left Hand, 1/2" Stroke; 100961 - Right Hand, 1/2" Stroke  
100962 - Straight Pull, 1/2" Stroke





Item No.	Part No.	No. Req'd	Description
1	251648	1	Cap Screw (1/2-13 UNC x 3/4 Lg.; Torque to 40/60 ft. lbs.)
2	351042	1	Piston Assembly
3	*19140	2	Backup Washer
4	*250481	1	O-ring (1-1/4 x 1" x 1/8)
5	350398	1	Rotating Cam (Left Hand† 90° for 100960)
	350397	1	Rotating Cam (Right Hand† 90° for 100961)
	350343	1	Rotating Cam (Straight Pull for 100962)
6	10782	1	Pin
7	420921	1	End Cap
8	*12598	1	O-ring (1-5/16 X 1-1/8 X 3/32)
9	65115	1	Swing Clamp Body
10	*19134	2	Backup Washer (1-3/4 x 1-9/16 x .048)
11	*250909	1	O-ring (1-3/4 x 1-9/16 x 3/32)
12	*15892	1	O-ring (1.956 X 1.720 X .118)
13	*250480	1	V-cup
14	*250479	1	Backup Washer (1.113 x 7/8 x .048)
15	*250478	1	Rod Wiper
16	15139	8	Cap Screw (6-32 UNC x 1/2" Lg.; Torque to 30/40 in. lbs.)

Grease roller in piston assembly (Item #2) and cam with a light coating of CDM Extreme Pressure Lube #3.

Part numbers marked with an asterisk (\*) are contained in Repair Kit No. 300610.

† Right hand rotation is clockwise rotation when viewed from the piston rod end.  
 Left hand is counterclockwise rotation. To reverse clamp rotation, order the appropriate rotating cam.

Note: Shaded areas reflect last revision(s) made to this form.

Refer to any operating instructions included with this product for detailed information about operation, testing, disassembly, reassembly, and preventive maintenance.

Items found in this parts list have been carefully tested and selected. **Therefore: Use only genuine Hytec replacement parts!**

Additional questions can be directed to our Technical Services Department.