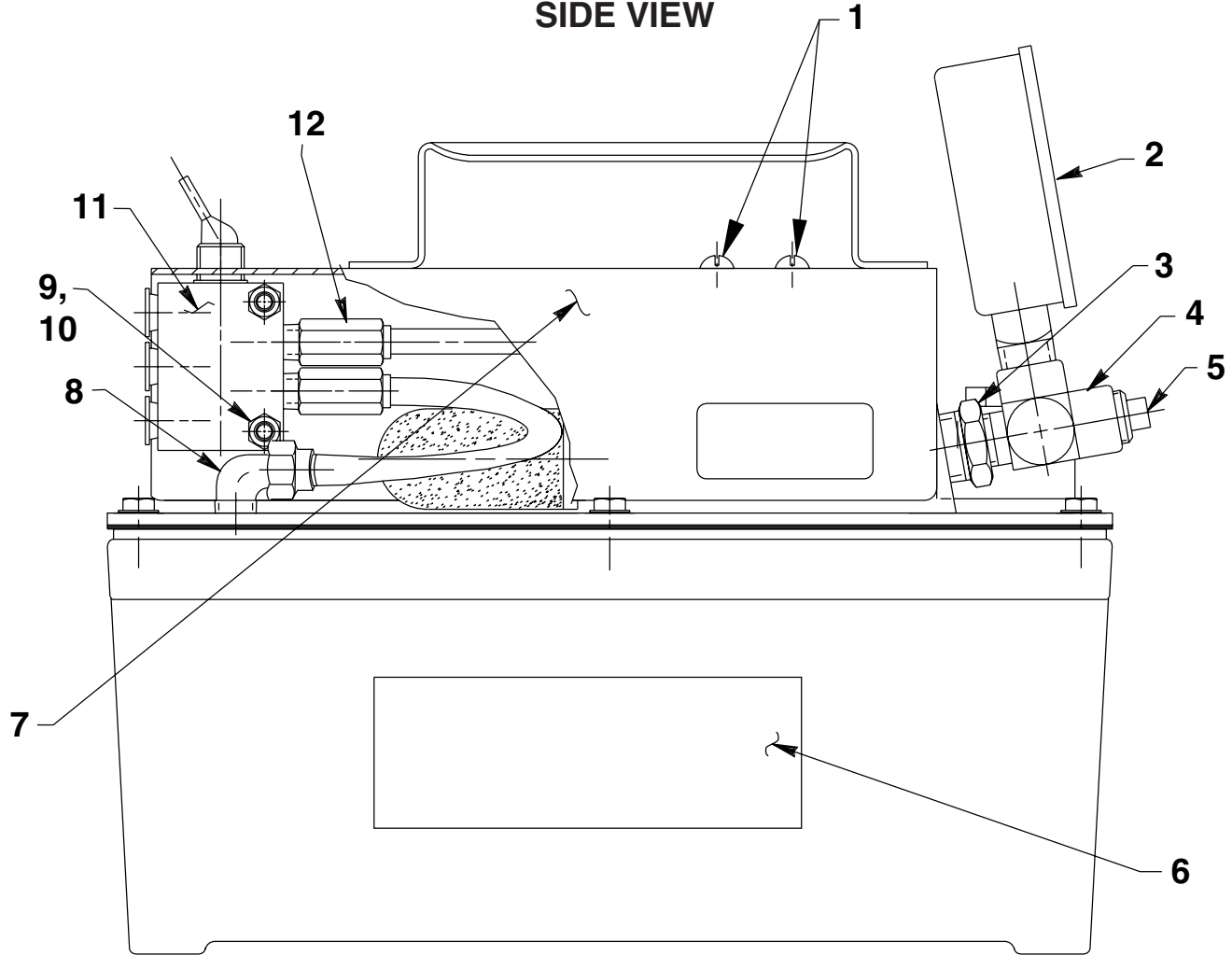
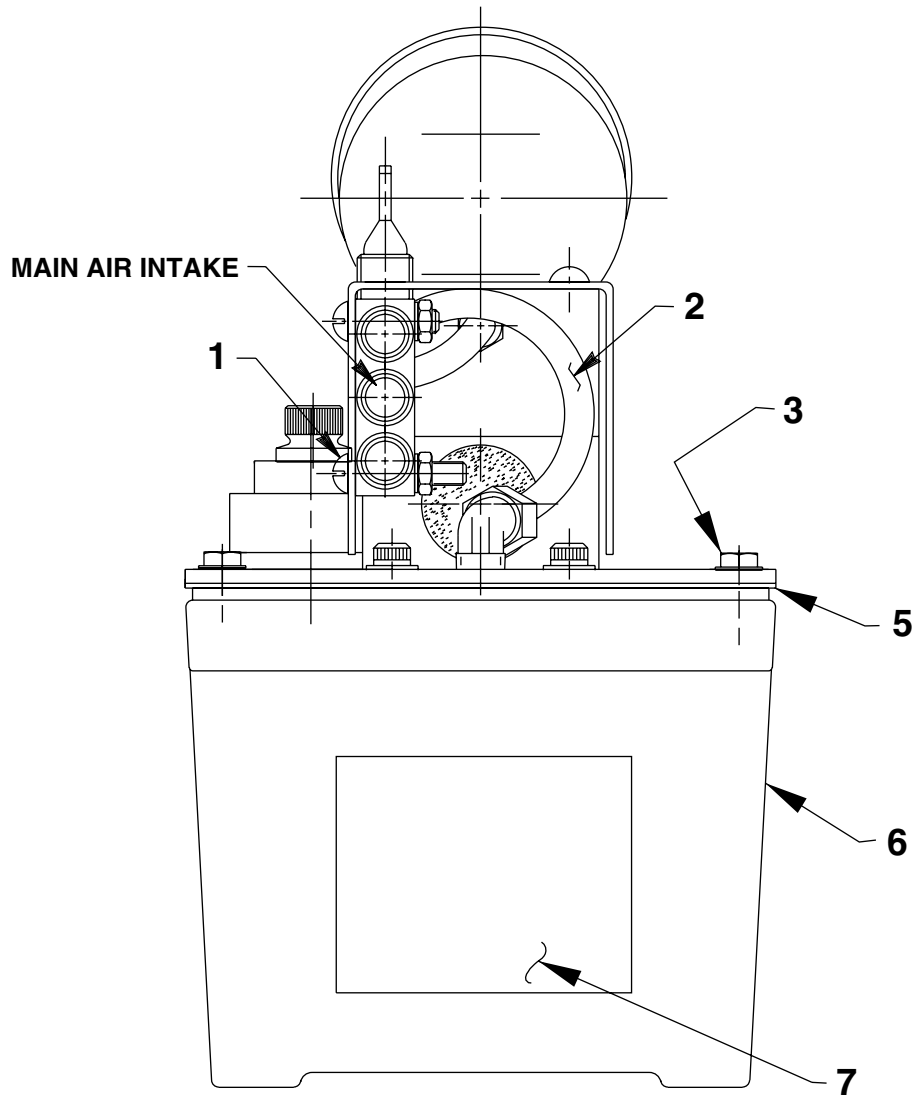


MODEL F
AIR HYDRAULIC PUMP
Rated Capacity: 3,325 PSI at 125 PSI Air Max.
SIDE VIEW



Item No.	Part No.	No. Req'd	Description
1	10164	4	Rd. Hd. Machine Screw (#10-24 UNC X 3/8 Lg.)
2	17946	1	Pressure Gauge
3	10676	1	Straight Fitting
4	10618	1	Service Tee
5	10970	1	Pipe Plug
6	211533	2	Trade Name Decal
7	420384BK2	1	Shroud
8	15457	1	Elbow
9	10197	2	Hex Machine Screw Nut (#10-24 UNC)
10	11108	2	Lockwasher (#10 External Tooth)
11	350329	1	Air Operated Valve
12	250464	3	Connector

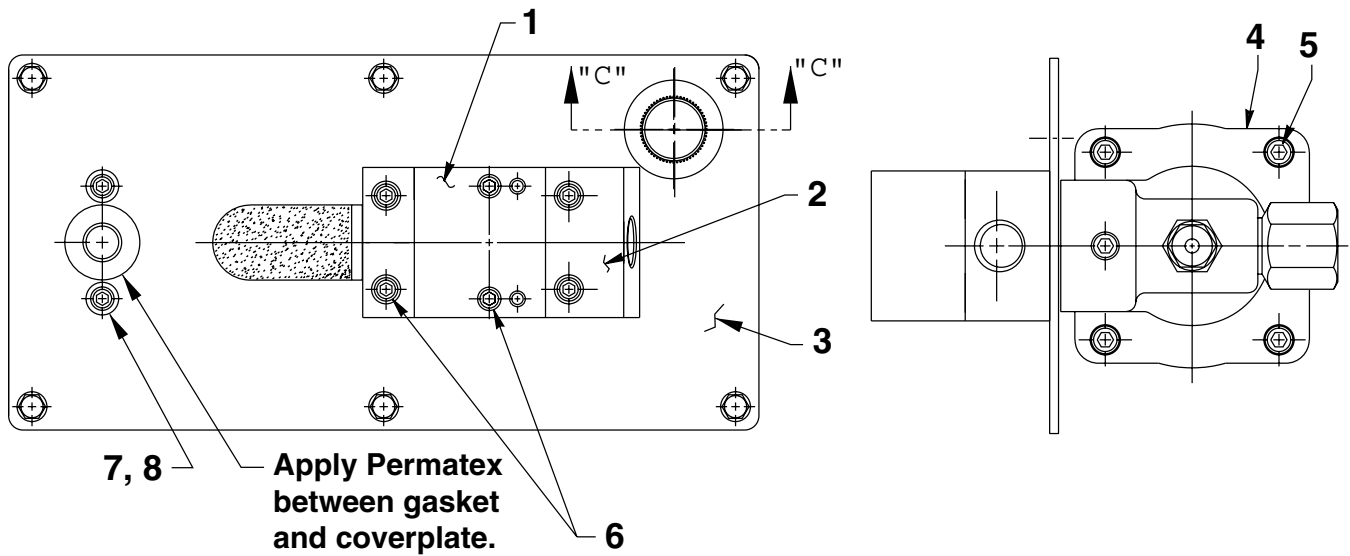
END VIEW



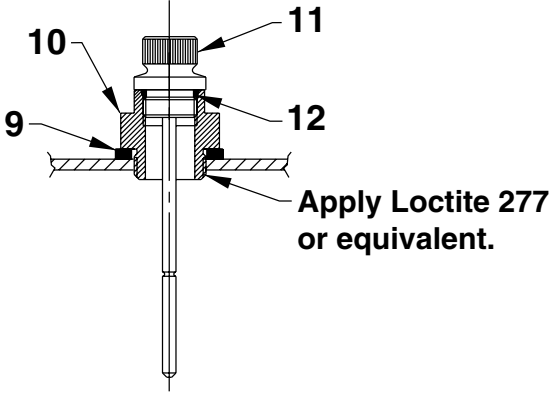
Item No.	Part No.	No. Req'd	Description
1	11856	2	Rd. Hd. Machine Screw (#10-24 UNC X 1" Lg.)
2	14726	.80 ft.	Tubing
3	211060	10	Hex Washer Hd. Screw (#9-15 X 1" Lg.; Torque to 25/30 in. lbs.)
5	*33853	1	Reservoir Gasket
6	61243	1	Reservoir
7	305494	1	Decal

Part numbers marked with an asterisk (*) are contained in Repair Kit No. 300910.

BASIC PUMP ASSEMBLY TOP & END VIEW



7, 8 — Apply Permatex between gasket and coverplate.

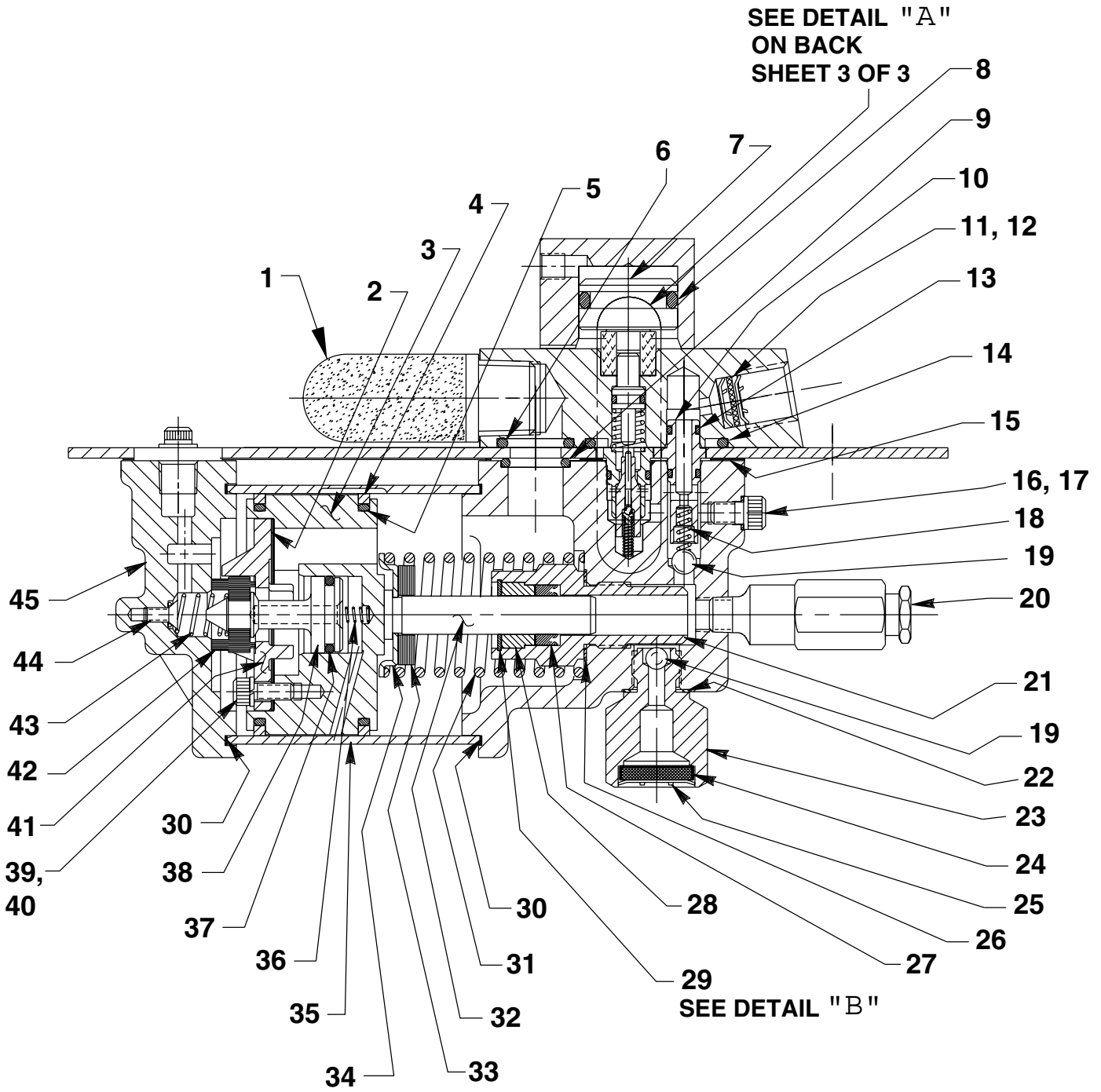


SECTION C-C

Item No.	Part No.	No. Req'd	Description
1	420293	1	Valve Body
2	58685	1	Release Valve
3	421236BK2	1	Cover Plate
4	64767	1	Pump Body
5	17428	4	Soc. Hd. Cap Screw (1/4-20 UNC X 3-1/2" Lg.)
6	11151	6	Soc. Hd. Cap Screw (10-24 UNC X 1-1/4" Lg.; Torque to 50/60 in. lbs.)
7	11434	2	Soc. Hd. Cap Screw (10-24 UNC X 1/2 Lg.)
8	11089	2	Washer (No. 10)
9	252041	1	Sealing Washer
10	351214	1	Filler Plug Adapter
11	252076	1	Dipstick Assembly (Includes o-ring [Item #12])
12	*10273	1	O-ring (13/16 X .644 X .087)

Part numbers marked with an asterisk (*) are contained in Repair Kit No. 300910.

SIDE VIEW



INTERNAL RETAINING RING



DETAIL "B"

Item No.	Part No.	No. Req'd	Description
1	*250461	1	Muffler
2	*28239	1	Gasket
3	52390	1	Piston Body
4	*14265	2	Piston Ring
5	*251835	2	O-ring (2-1/2" X 2-5/16" X 3/32)
6	*10276	1	O-ring (1" X 3/4 X 1/8)
7	34757	1	Piston Release
8	*208144	1	O-ring (1-1/2" X 7/8 X 1/8; Apply lubricant)
9	*10272	1	O-ring (3/4 X 9/16 X 3/32)
10	34378	1	Check Valve Body
11	11088	2	Retaining Ring
12	*250638	1	Filter Disc
13	*211053	2	O-ring (3/8 X 1/4 X 1/16)
14	*11841	1	O-ring (1-5/8" X 1-3/8" X 1/8)
15	*351021	1	Gasket
16	*10442	1	Plain Washer (3/8 X 1/4 X 1/32)
17	10002	1	Soc. Hd. Cap Screw (1/4-20 UNC X 3/8 Lg.; Torque to 90/110 in. lbs.)
18	*10445	1	Compression Spring (5/32 O.D. X 3/4 Lg.)
19	*10423	2	Steel Ball (9/32 dia.)
20	21278-35	1	Relief Valve (Set at 3,500/3,800 PSI; Apply loctite 592 [Power Team #905516] or equiv. & torque to 150/170 in. lbs.)
21	420043	1	Cylinder (Torque to 90/100 ft. lbs. oiled)
22	*10261	1	Plain Washer (3/4 X 19/32 X 1/32)
23	48010	1	Filter Adapter (Torque to 40/50 ft. lbs. oiled)
24	*214578	1	Filter
25	*214586	1	Retaining Ring (Internal)
26	*10263	1	Plain Washer (1" X .765 X 1/32)
27	*250204	1	U-cup
28	250207	1	Retainer
29	*250208	1	Retaining Ring (Note: Install with sharp edge toward the retained part. See Detail B on back of sheet 2 of 3.)
30	*17429	2	Backup Washer (2-15/16" X 2-3/4" X .045)
31	*13938	1	Compression Spring (1.452 O.D. X 4-7/16" Lg.)
32	350071	1	Piston
33	*250205	1	Bumper
34	250206	1	Guide Spring
35	351122	1	Air Cylinder (Note: Locate groove on upper half (top) of pump with chamfered tube end towards rear head as shown in illustration on back of sheet 2 of 3.)
36	*12692	1	Compression Spring (3/16 O.D. X 1-11/16" Lg.)
37	*211052	1	O-ring (.900 X .706 X .097)
38	305475	1	Exhaust Valve Stem
39	*10241	3	Lockwasher (For #10 bolt)
40	211054	3	Soc. Hd. Cap Screw (#10-24 X 1/2 Lg.; Torque to 50/55 in. lbs.)
41	33822	1	Piston End Plate
42	28183	1	Piston Poppet
43	*205679	1	Compression Spring (.485 O.D. X .915 Lg.)
44	*205674	1	Hex Soc. Flat Hd. Cap Screw (8-32 UNC X 3/8 Lg.; Torque to 12/18 in. lbs.)
45	37468	1	Rear Head

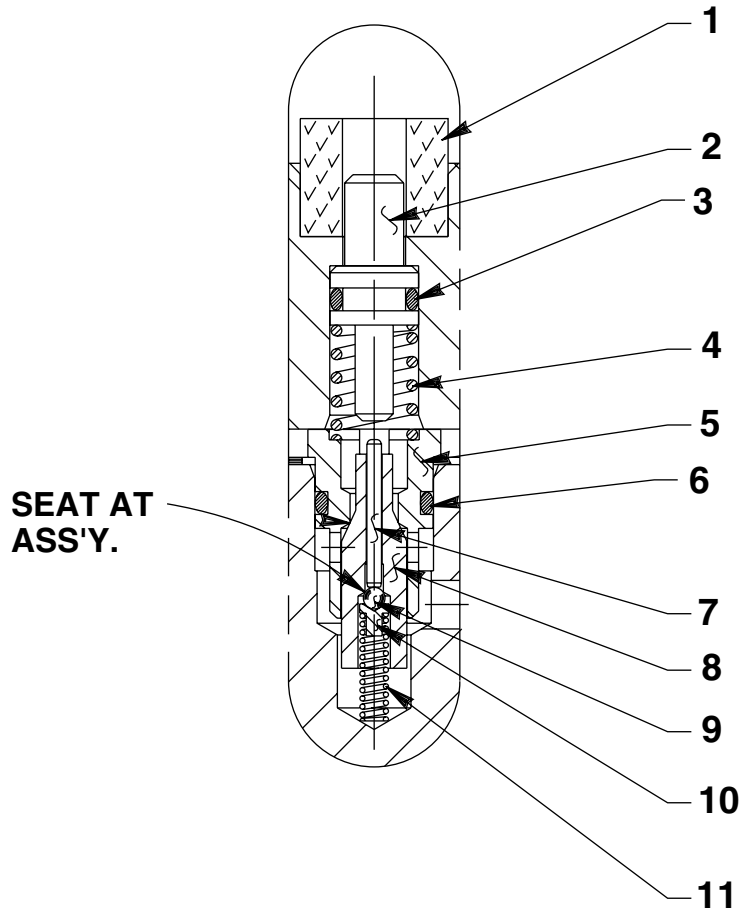
Part numbers marked with an asterisk (*) are contained in
Repair Kit No. 300910.

Sheet No. 3 of 3

Rev. 4

Date: 4 Nov. 1998

DETAIL "A"



Item No.	Part No.	No. Req'd	Description
1	*206504	1	Foam Tube
2	28227	1	Release Valve Button
3	*211053	1	O-ring (3/8 X 1/4 X 1/16)
4	*13944	1	Compression Spring (3/8 O.D. X 1/2 Lg.)
5	34377	1	Poppet Retainer
6	*15279	1	O-ring (1/2 X 3/8 X 1/16)
7	13937	1	Dowel Pin (Note: Place tapered end toward ball.)
8	29037	1	Release Valve Poppet
9	*14443	1	Metallic Ball (3/32 Dia.)
10	209736	1	Ball Retainer
11	*13959	1	Compression Spring (1/8 O.D. X 1/2 Lg.)

Part numbers marked with an asterisk (*) are contained in Repair Kit No. 300910.

Refer to any operating instructions included with this product for detailed information about operation, testing, disassembly, reassembly, and preventive maintenance.

Items found in this parts list have been carefully tested and selected. **Therefore: Use only genuine Hytec replacement parts!**

Additional questions can be directed to our Technical Services Department.