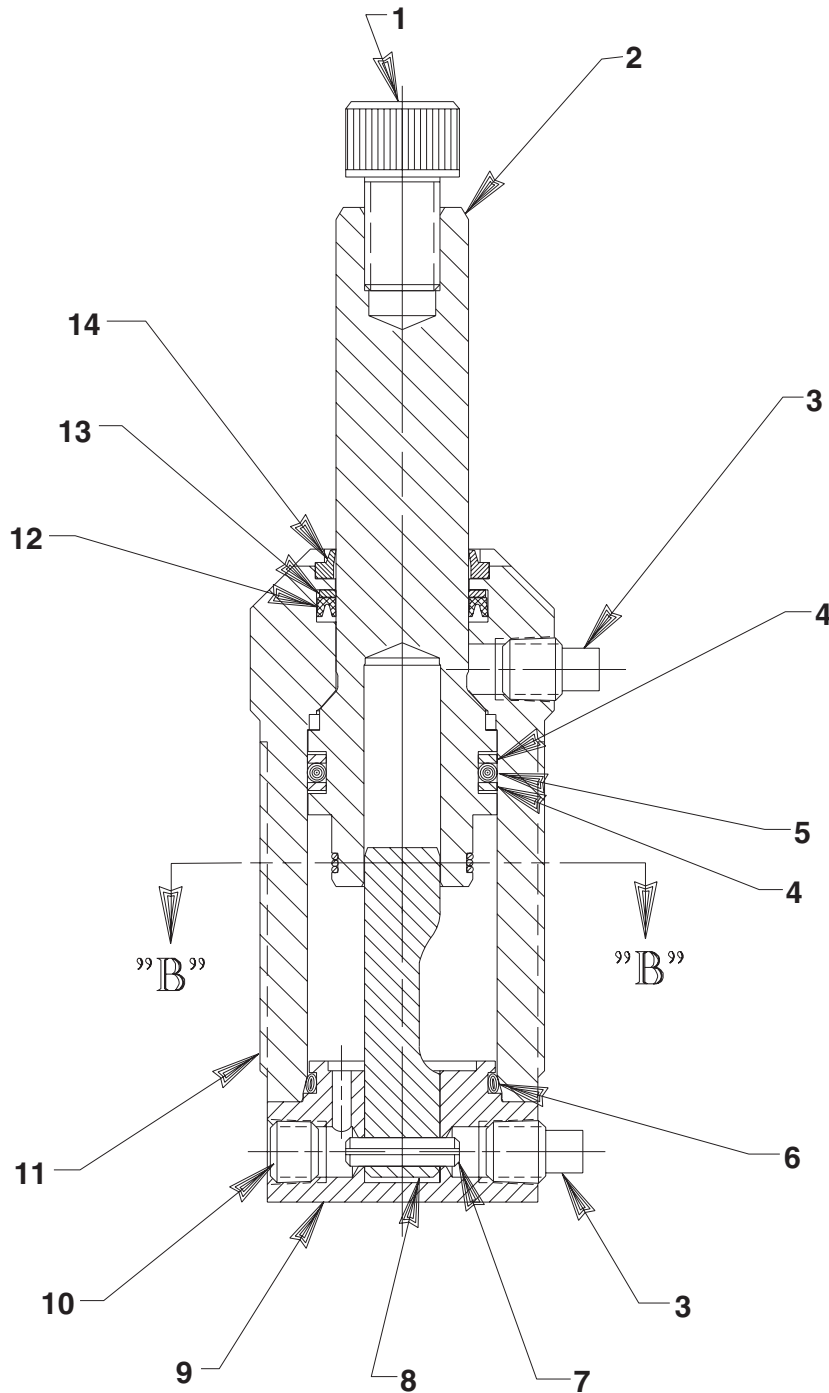


Parts List for:

100841BAC
100842BAC
100848BAC
100849BAC

**MODEL B
DOUBLE-ACTING SWING CLAMP**

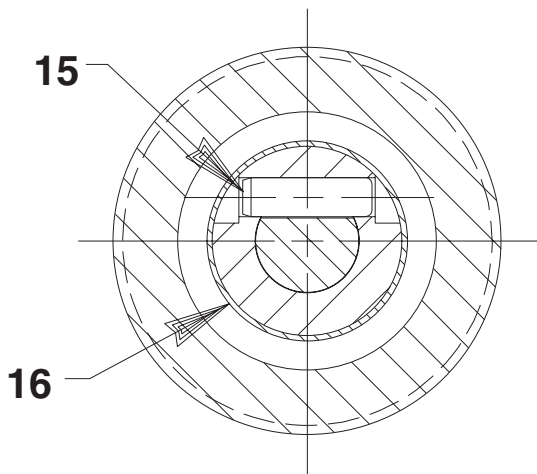
Max. Capacity: 2400 Lbs. Clamping Force (with 2" Lg. arm) at 5,000 PSI
100841BAC - L.H., 1/2" Stroke; 100842BAC - R.H., 1/2" Stroke
100848BAC - L.H., 1-1/4" Stroke; 100849BAC - R.H., 1-1/4" Stroke



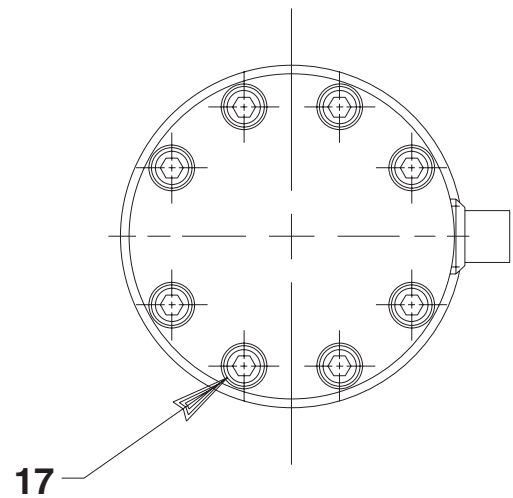
Refer to any operating instructions included with this product for detailed information about operation, testing, disassembly, reassembly, and preventive maintenance.

Items found in this parts list have been carefully tested and selected. **Therefore: Use only genuine Hytec replacement parts!**

Additional questions can be directed to our Technical Services Department.



SECTION B-B



BOTTOM VIEW

Item No.	Part No.	No. Req'd	Description
1	213836	1	Hex. Soc. Hd. Cap Screw (1/2-20 UNF x 3/4 Lg.; Torque to 50 ft. lbs.)
2	420279	1	Piston Rod (For 100841BAC & 100842BAC)
	420300	1	Piston Rod (For 100848BAC & 100849BAC)
3	11048	2	Square Drive Plug Fitting (1/8 NPTF)
4	*19140	2	Backup Washer (1-1/4 x 1" x .048 Thk.)
5	*250481	1	O-ring (1-1/4 x 1" x 1/8)
6	*12598	1	O-ring (1-5/16 x 1-1/8 x .093)
7	10782	1	Slotted Spring Pin (3/16 dia. x 3/4 Lg.)
8	350397	1	Rotating Cam (Right Hand† 90° for 100842BAC)
	350398	1	Rotating Cam (Left Hand† 90° for 100841BAC)
	350283	1	Rotating Cam (Left Hand† 90° for 100848BAC)
	350280	1	Rotating Cam (Right Hand† 90° for 100849BAC)
9	350396	1	End Cap
10	15499	1	Level Seal Plug Fitting (1/8 NPTF)
11	64166	1	Swing Clamp Body (For 100841BAC, & 100842BAC)
	64189	1	Swing Clamp Body (For 100848BAC & 100849BAC)
12	*250480	1	V-cup
13	*250479	1	Backup Washer (1.113 x 7/8 x .048 Thk.)
14	*250478	1	Rod Wiper
15	250482	1	Dowel Pin (3/16 dia. x .595 Lg.)
16	250483	1	Retainer Ring
17	250476	8	Hex. Soc. Hd. Cap Screw (#6-32 UNC x 3/4 Lg.; Torque to 30-40 in. lbs.)

NOTE: Flat of cam (clamp stroke area) to be opposite of body port.
Grease roller in piston rod (Item #2) and cam with a light coating of CDM Extreme Pressure Lube #3.

Part numbers marked with an asterisk (*) are contained in Repair Kit No. 300610.

†Right hand rotation is clockwise rotation when viewed from the piston rod end.
Left hand is counterclockwise rotation. To reverse clamp rotation, order the appropriate rotating cam.