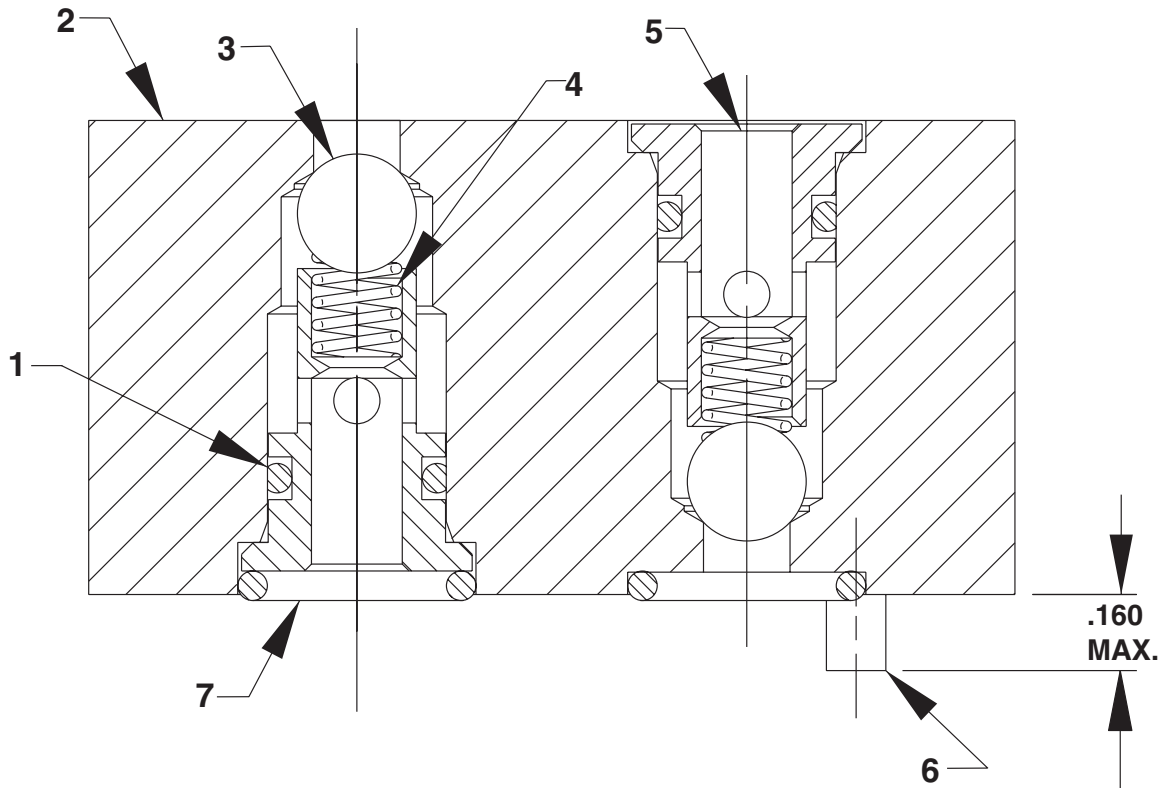


CHECK VALVE SUBPLATE



Item No.	Part No.	No. Req'd	Description
1	211053	2	O-ring (3/8 X 1/4 X 1/16)
2	421291	1	Check Valve Subplate
3	10375	2	Steel Ball (1/4 Dia.)
4	252163	2	Compression Spring (11/64" O.D. X 1/2 Lg.)
5	351268	2	Ball Stop
6	252067	1	Spring Pin
7	15279	4	O-ring (1/2 X 3/8 X 1/16)

PARTS INCLUDED BUT NOT SHOWN

252335	4	Screw (10-24 X 3-1/4" Lg.)
--------	---	----------------------------