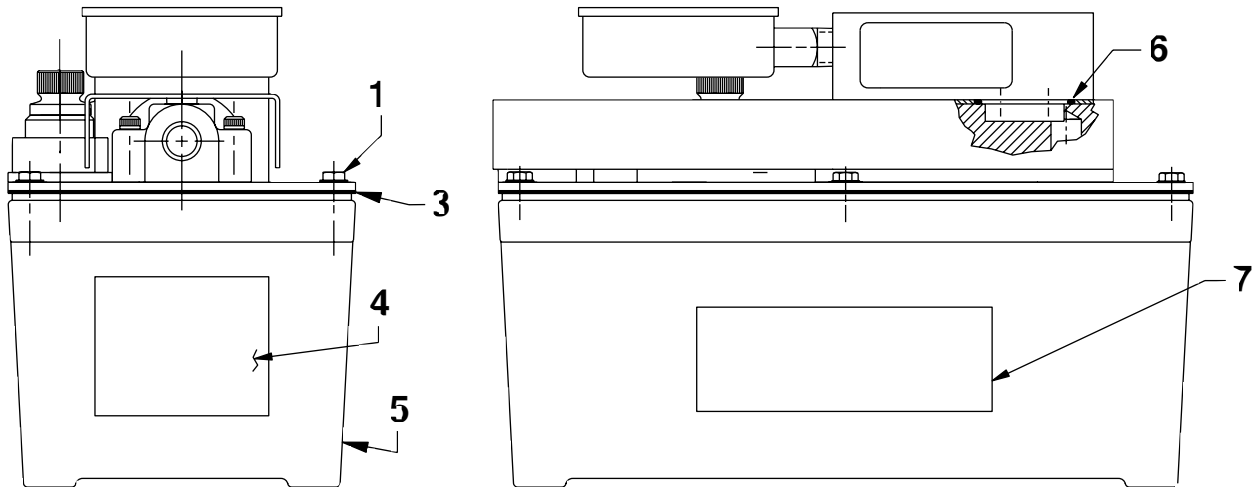


**MODEL F
AIR/HYDRAULIC PUMP
GENERAL SECTION**



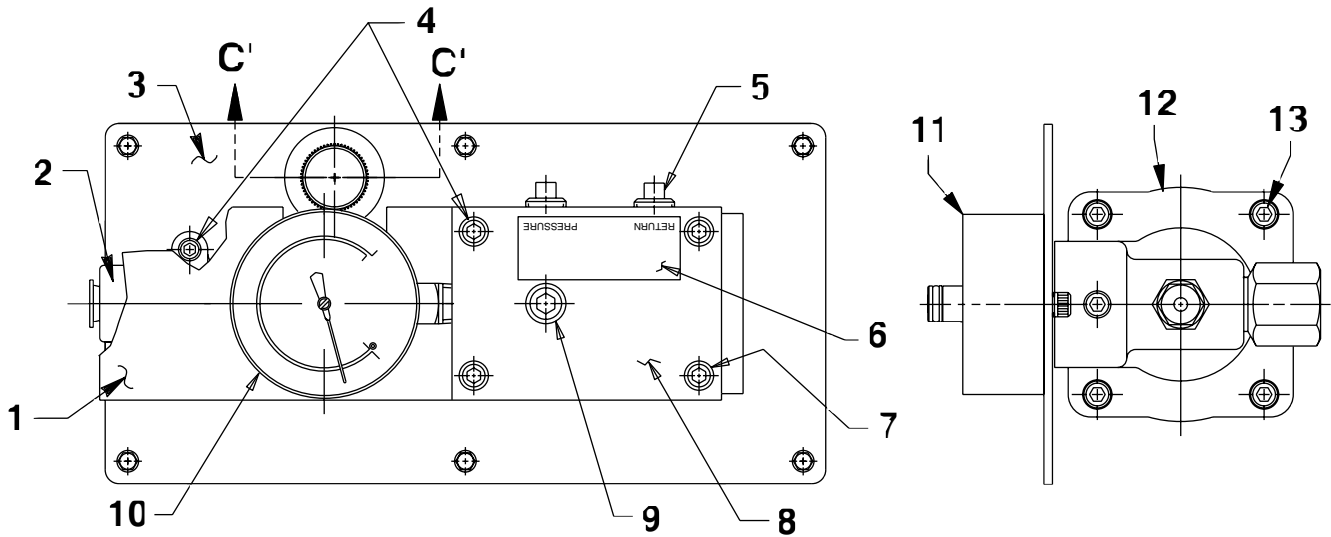
Item No.	Part No.	No. Req'd	Description
1	211060	6	Hex Hd. Washer Screw (9-15 X 1" Lg.; Torque to 25/35 in. lbs.)
3	*33853	1	Reservoir Gasket (Note: Trim to allow part no. 351214 to pass through freely.)
4	305494	1	Instruction Decal
5	61243	1	Reservoir
6	16684	1	O-ring (1-3/16" X 1" X 3/32)
7	211533	2	Trade Name Decal (Hytec)

PARTS INCLUDED BUT NOT SHOWN

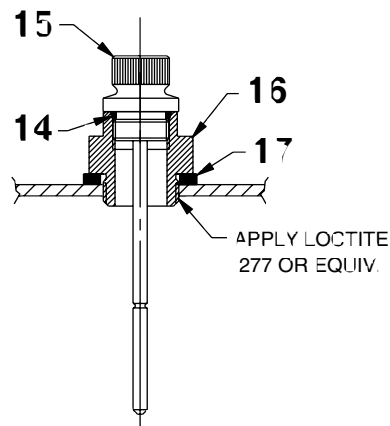
211060	4	Hex Hd. Washer Screw (9-15 X 1" Lg.; Torque to 25/35 in. lbs.; For pump mounting purposes only.)
--------	---	--

Part numbers marked with an asterisk (*) are contained in Repair Kit No. 300951.

TOP & END VIEW



SECTION C-C

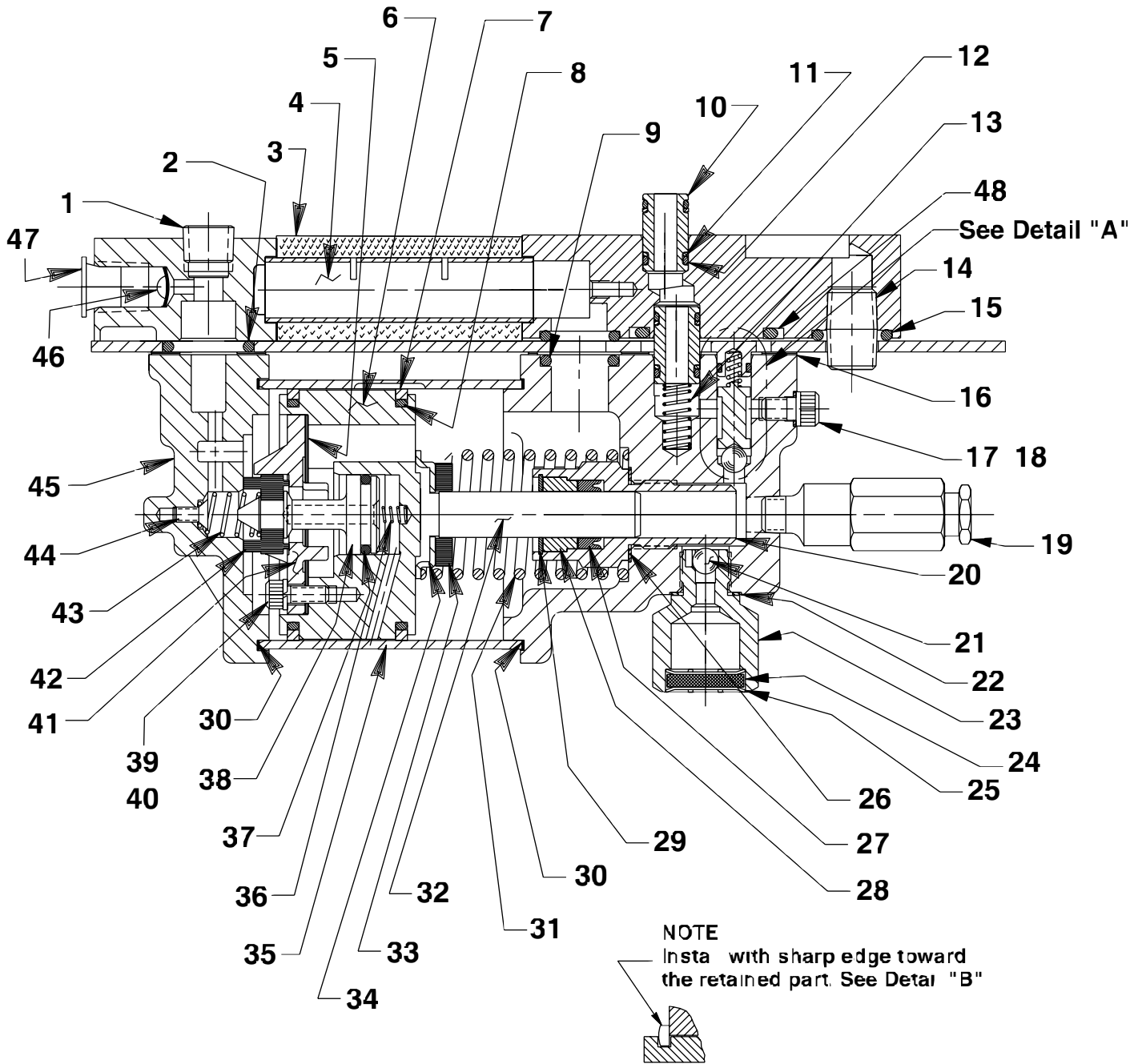


Item No.	Part No.	No. Req'd	Description
1	351219BK2	1	Shroud
2	309246	1	Intake Manifold
3	421240BK2	1	Cover Plate
4	11151	6	Soc. Hd. Screw (10-24 X 1-1/4" Lg.; Torque to 50/60 in. lbs.)
5	10970	2	Plug Fitting (1/4 NPTF)
6	210995	1	Trade Name Decal (Power Team)
7	10020	4	Soc. Hd. Screw (1/4-20 X 1-1/4" Lg.)
8	45837	1	Manifold
9	10479	1	Plug Fitting (1/4 NPTF)
10	17946	1	Gauge (0-6000 PSI; 2-1/2" Dia.)

Item No.	Part No.	No. Req'd	Description
11	58714	1	Manifold
12	64767	1	Pump Body
13	17428	4	Soc. Hd. Screw (1/4-20 X 1/2 Lg.; Torque to 85/95/in. lbs. oiled; Note: Cross torque in increments of 30 in. lbs.)
14	*10273	1	O-ring (13/16 X 5/8 X 3/32)
15	252076	1	Dip Stick
16	351214	1	Filler Plug Adapter
17	252041	1	Seal Washer

Part numbers marked with an asterisk (*) are contained in Repair Kit No. 300951.

BASIC PUMP ASSEMBLY



DETAIL "B"

Refer to any operating instructions included with this product for detailed information about operation, testing, disassembly, reassembly, and preventive maintenance.

Items found in this parts list have been carefully tested and selected. **Therefore: Use only genuine Power Team replacement parts!**

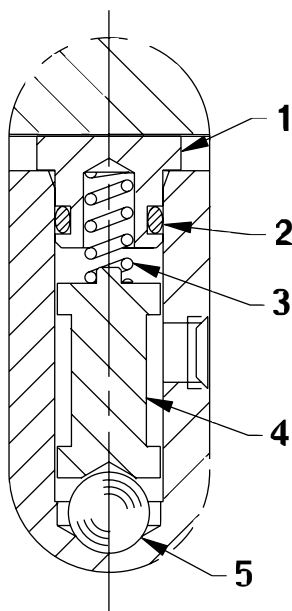
Additional questions can be directed to our Technical Services Department.

Parts List, Form No. 101852, Back sheet 2 of 2

Item No.	Part No.	No. Req'd	Description	Item No.	Part No.	No. Req'd	Description
1	14972	1	Plug Fitting (1/4 PTF)	25	214586	1	Internal Retaining Ring
2	*251717	1	O-ring (1" X 5/8 X 3/16)	26	*10263	1	Special Washer (1" X .765 X 1/32)
3	*29992	1	Foam Tube	27	*250204	1	U-cup
4	28387	1	Muffler	28	250207	1	Retainer
5	*28239	1	Gasket	29	250208	1	Internal Retaining Ring
6	52390	1	Piston Body				(NOTE: Install with sharp edge toward the retained part; See Detail B)
7	*14265	2	Piston Ring	30	*17429	2	Backup Washer
8	*251835	2	O-ring (2-1/2" X 2-5/16" X 3/32)				(2-15/16" X 2-3/4" X .045)
9	*10272	1	O-ring (3/4 X 9/16 X3/32)	31	*13938	1	Spring (1.452 O.D. X 4-7/16" Lg.)
10	21094	2	Bushing	32	350071	1	Piston (1/2 in.)
11	11863	4	Backup Washer (1/2 X 3/8 X 1/16)	33	250205	1	Bumper
12	10268	4	O-ring (1/2 X 3/8 X 1/16)	34	250206	1	Spring Guide
13	16448	1	Spring (5/16 O.D. X 13/16 Lg.)	35	351122	1	Air Cylinder (NOTE: Locate groove on upper half (top) of pump with chamfered tube end towards rear as shown.)
14	15024	1	Straight Fitting (1/4 NPTF)	36	*12692	1	Spring (3/16 O.D. X 1-11/16" Lg.)
15	*10276	2	O-ring (1" X 3/4 X 1/8)	37	*211052	1	O-ring (.900 X .706 X .097)
16	*351021	1	Cover Plate Gasket	38	305475	1	Exhaust Valve Stem
17	*10442	1	Copper Washer (3/8 X 1/4 X 1/32)	39	*10241	3	Lockwasher (For #10 Bolt)
18	10002	1	Soc. Hd. Screw (1/4-20 X 3/8 Lg.; Torque to 90/100 in. lbs.)	40	211054	3	Soc. Hd. Screw (10-24 X 1/2 Lg.; Torque to 50/55 in. lbs.)
19	21278-48	1	Relief Valve (Set at 4,900 to 5,300; Apply loctite 592 [Power Team #905516] or equiv. & torque to 150/170 in. lbs.)	41	33822	1	Piston End Plate Casting
20	420043	1	Blank Cylinder (Torque to 90/100 ft. lbs.)	42	*28183	1	Piston Poppet
21	*10423	1	Ball (9/32" Dia.)	43	205679	1	Spring (.485 O.D. X .915 Lg.)
22	*10261	1	Copper Washer (3/4 X 19/32 X 1/32)	44	*205674	1	Flat Hd. Screw (8-32 X 3/8 Lg.; Torque to 12/18 in. lbs.)
23	48010	1	Filter Adapter (Torque to 40/50 ft. lbs.)	45	51480	1	Rear Head
24	214578	1	Filter	46	*216296	1	Filter Disc
				47	14794	1	Plastic Cap
				48	*11841	1	O-ring (1.62 x 1.37 Nitrile)

Part numbers marked with an asterisk (*) are contained in Repair Kit No. 300951.

DETAIL "A"



Item No.	Part No.	No. Req'd	Description
1	36497	1	Check Valve Retainer
2	*12522	1	O-ring (3/8 X 1/4 X 1/16; Urethane)
3	*10445	1	Spring (5/32 O.D. X 3/4 Lg.)
4	202568	1	Ball Guide
5	*10423	1	Ball (9/32" Dia.)

Part numbers marked with an asterisk (*) are contained in Repair Kit No. 300951.

Note: Shaded areas reflect last revision(s) made to this form.