

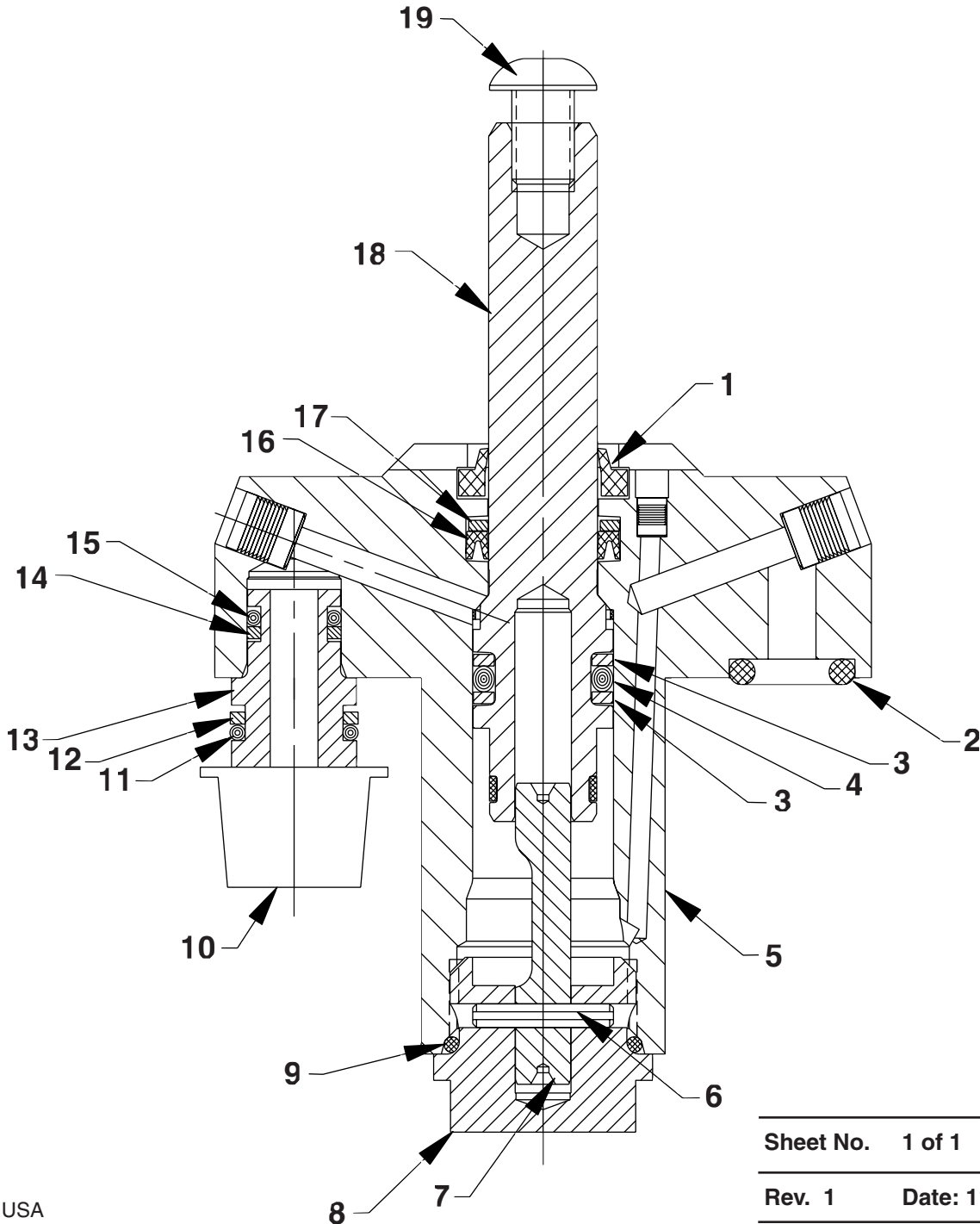
**DOUBLE-ACTING, MANIFOLD MOUNT
SWING / PULL CLAMP**

Max. Capacity: 365 lbs. Clamping Force (with 1.06" lg. arm) at 5,000 PSI (350 BAR) Max.

110010 - Left Hand

110011 - Right Hand

110012 - Straight Pull



Parts List, Form No. 101872, Back sheet 1 of 1

Item No.	Part No.	No. Req'd	Description
1	*252453	1	Wiper, Rod (.69 x .44 URE)
2	*252104	1	O-ring (.50 x .31 Nitrile)
3	*252515	2	Washer, Backup (.49 x .39)
4	*252505	1	O-ring (.56 x .38 URE)
5	351522	1	Body, Manifold w/Plugs
6	252877	1	Pin, Spring (.09 x .56)
7	351397	1	Cam, Left Hand (Left Hand† 90° for 110010)
	351398	1	Cam, Right Hand (Right Hand† 90° for 110011)
	351399	1	Cam, Straight (Straight Pull† for 110012)
8	351432	1	Cap, End DA (Torque to 450/470 in. lbs.)
9	*10527	1	O-ring (.81 x .64 Nitrile)
10	11967	1	Plug, Tapered Cap
11	*10268	1	O-ring (.50 x .37 Nitrile)
12	*11863	1	Washer, Backup (.50 x .38)
13	351041	1	Bushing, Connector
14	*12184	1	Washer, Backup (.38 x .25)
15	*10266	1	O-ring (.37 x .25 Nitrile)
16	*252473	1	U-cup (.62 x .43 x .09 H)
17	*252479	1	Washer, Backup (.61 x .43 x .04)
18	351400	1	Rod, Piston
19	251910	1	Screw, Button HD (1/4-20 x 3/8; Torque to 80/100 in. lbs.)

NOTE: Grease roller in piston rod (Item #18) and cam with a light coating of CDM Extreme Pressure Lube #3.

Part Numbers marked with an asterisk (*) are contained in Repair Kit No. 300954.

†Right hand rotation is clockwise rotation when viewed from the piston rod end.
 Left hand is counterclockwise rotation. To reverse clamp rotation, order the appropriate rotating cam.

Note: Shaded areas reflect last revision(s) made to this form.

Refer to any operating instructions included with this product for detailed information about operation, testing, disassembly, reassembly, and preventive maintenance.

Items found in this parts list have been carefully tested and selected. **Therefore: Use only genuine Hytec replacement parts!**

Additional questions can be directed to our Technical Services Department.