

Parts List for:

110016
110017
110018

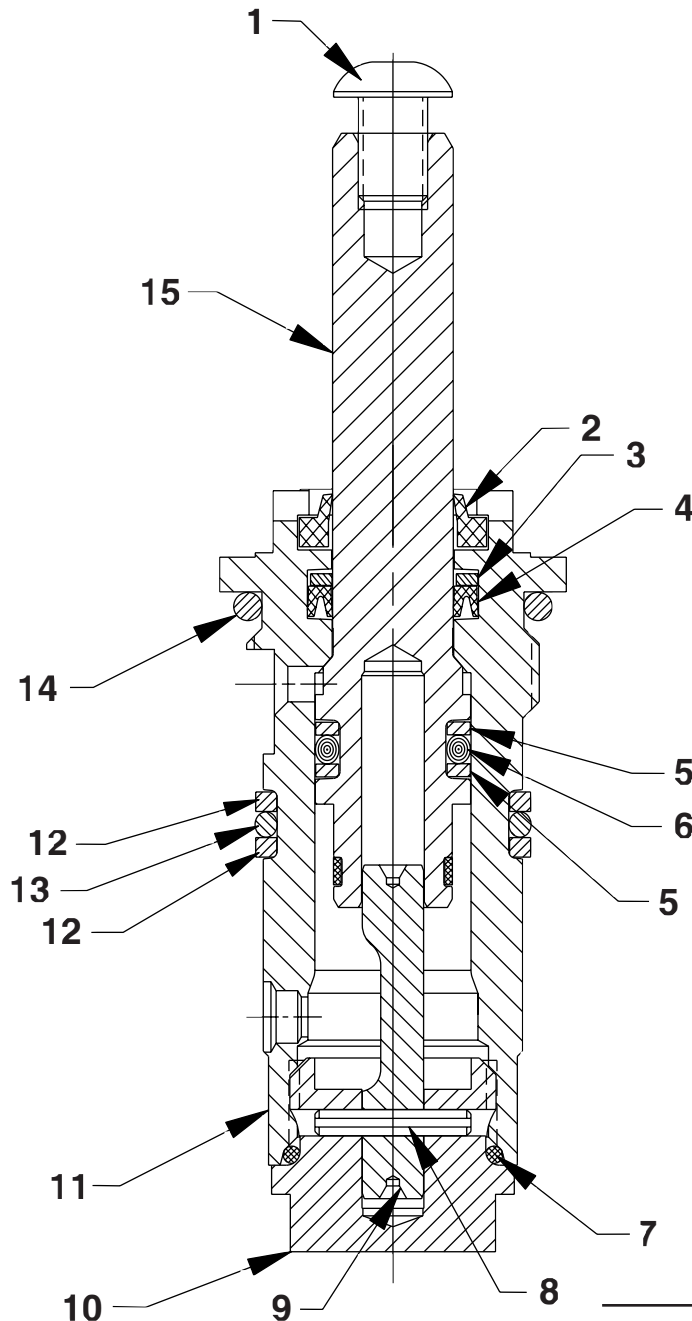
The piston rod U-cup seal (Item 4) can be easily twisted if installed incorrectly.

Before installing the piston rod (Item 15) lubricate the rod and all seals with hydraulic oil. Install the rod with light pressure and a twisting motion as the seal is first contacted.

Refer to any operating instructions included with this product for detailed information about operation, testing, disassembly, reassembly, and preventive maintenance.

Items found in this parts list have been carefully tested and selected.
Therefore: Use only genuine Hytec replacement parts!

Additional questions can be directed to our Technical Services Department.



Parts List, Form No. 101874, Back sheet 1 of 1

Item No.	Part No.	No. Req'd	Description	
1	251910	1	Screw, Button HD (1/4-20 x 3/8; Torque to 80/100 in. lbs.)	
2	*252453	1	Wiper, Rod (.69 x .44 URE)	
3	*252479	1	Washer, Backup (.61 x .43 x .04)	
4	*252473	1	U-cup (.62 x .43 x .09 H)	
5	*252515	2	Washer, Backup (.49 x .39)	
6	*252505	1	O-ring (.56 x .38 URE)	
7	*10527	1	O-ring (.81 x .64 Nitrile)	
8	252877	1	Pin, Spring .10 x .41)	
9	351397	1	Cam, Left Hand (Left Hand† 90° for 110016)	} Grease roller in piston rod (Item #15) and cam with a light coating of CDM Extreme Pressure Lube #3.
	351398	1	Cam, Right Hand (Right Hand† 90° for 110017)	
	351399	1	Cam, Straight (Straight Pull for 110018)	
10	351432	1	Cap, End SA (Torque to 450/470 in. lbs.)	
11	58990	1	Body, Swing Clamp Cartridge	
12	*252969	2	Washer, Backup (.92 x .83)	
13	*12779	1	O-ring (.93 x .81 Nitrile)	
14	*12745	1	O-ring (1.15 x .92 Nitrile)	
15	351400	1	Rod, Piston	

Part numbers marked with an asterisk (*) are contained in Repair Kit No. 300954.

† Right hand rotation is clockwise rotation when viewed from the piston rod end.
 Left hand is counterclockwise rotation. To reverse clamp rotation, order the appropriate rotating cam.

Note: Shaded areas reflect last revision(s) made to this form.

Refer to any operating instructions included with this product for detailed information about operation, testing, disassembly, reassembly, and preventive maintenance.

Items found in this parts list have been carefully tested and selected. **Therefore: Use only genuine Hytec replacement parts!**

Additional questions can be directed to our Technical Services Department.