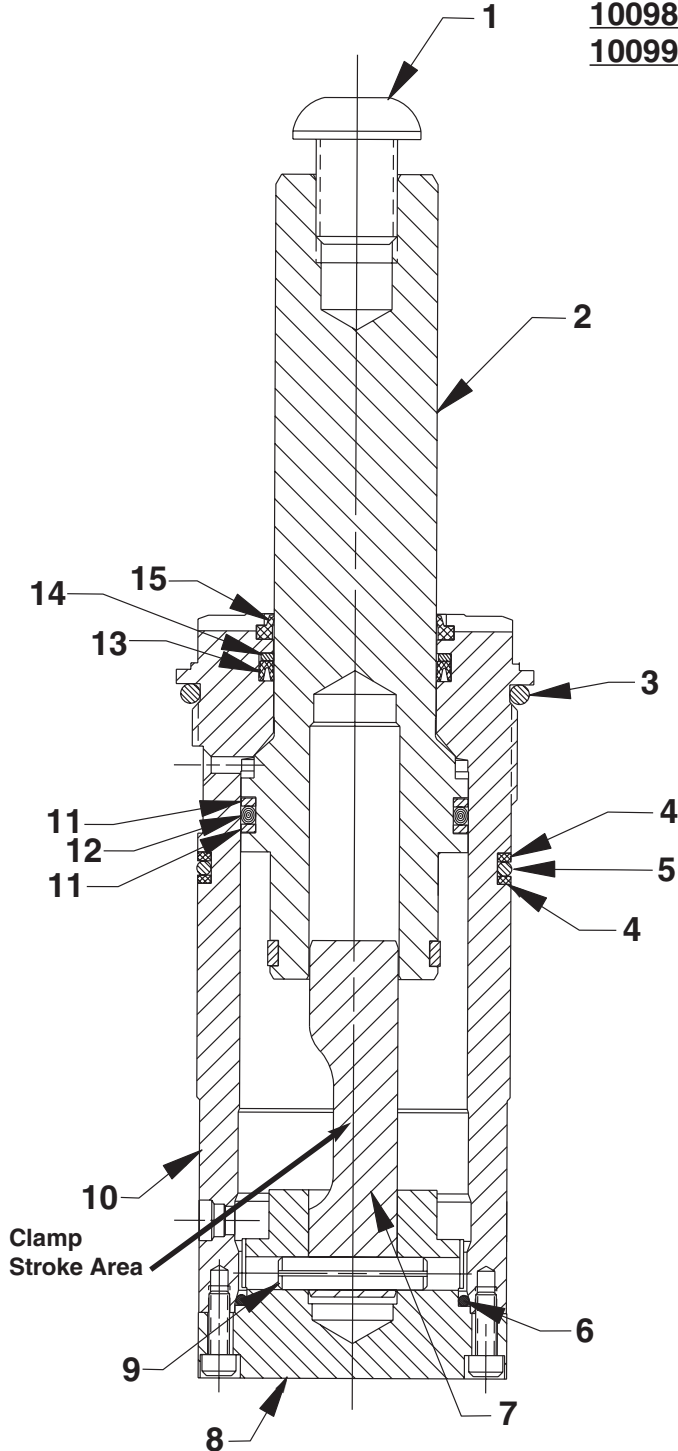


**CARTRIDGE STYLE MOUNT
DOUBLE-ACTING SWING CLAMP**

Capacity: 4500 lbs. (2043 kg) Clamping Force (with 2-1/2" [63,5 mm] lg. arm) at 5,000 PSI (350 Bar) Max.

- 100988 - Left Hand, .600 Stroke
- 100989 - Right Hand, .600 Stroke
- 100990 - Straight Pull, .600 Stroke



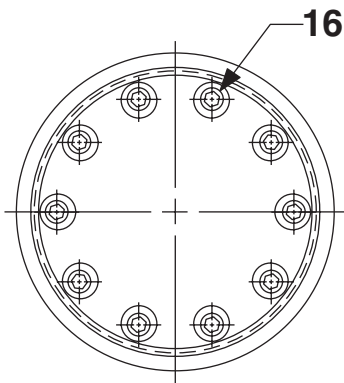
SECTION A-A

The piston rod U-cup seal (Item 13) can be easily twisted if installed incorrectly. Before installing the piston rod (Item 2) lubricate the rod and all seals with hydraulic oil. Install the rod with light pressure and a twisting motion as the seal is first contacted.

Refer to any operating instructions included with this product for detailed information about operation, testing, disassembly, reassembly, and preventive maintenance.

Items found in this parts list have been carefully tested and selected. **Therefore: Use only genuine Hytec replacement parts!**

Additional questions can be directed to our Technical Services Department.



BOTTOM VIEW

Item No.	Part No.	No. Req'd	Description
1	251630	1	Screw, Button (5/8-11 x 1; Torque to 50/70 ft. lbs.)
2	351057	1	Piston (1/2" Stroke)
3	*251781	1	O-ring (2.57 x 2.33 Nitrile)
4	*251782	2	Washer, Backup (2.38 x 2.21)
5	*11229	1	O-ring (2.37 x 2.18 Nitrile)
6	*15125	1	O-ring (1.81 x 1.62 Nitrile)
7	351045	1	Cam, Left Hand [†] (1/2" Stroke, For 100988)
	350985	1	Cam, Right Hand [†] (1/2" Stroke, For 100989)
	351046	1	Cam, Straight (1/2" Stroke, For 100990)
8	420946	1	Cap, End Double Acting
9	11178	1	Pin, Roll (.25 x 1.13)
10	64743	1	Body, Swing Clamp (2-1/2" Cart)
11	*19144	2	Washer, Backup (1.75 x 1.50)
12	*251636	1	O-ring (1.75 x 1.50 Urethane)
13	*251624	1	U-cup (1.50 x 1.25 x .13L)
14	*251626	1	Washer, Backup (1.48 x 1.25)
15	*251622	1	Wiper, Rod (1.53 x 1.25 Urethane)
16	10826	10	Screw, Socket HD (8-32 x 1/2, Torque to 50-60 in. lbs.)

} See Notes Below

Part numbers marked with an asterisk (*) are contained in Repair Kit No. 300821.

[†] Right hand rotation is clockwise rotation when viewed from the piston rod end.
 Left hand is counterclockwise rotation. To reverse clamp rotation,
 order the appropriate rotating cam.

- NOTE:**
1. Flat of Cam (clamp stroke area) to be opposite of body ports.
 2. Grease roller in piston rod (Item #2) and cam with a light coating of CDM Extreme Pressure Lube #3.