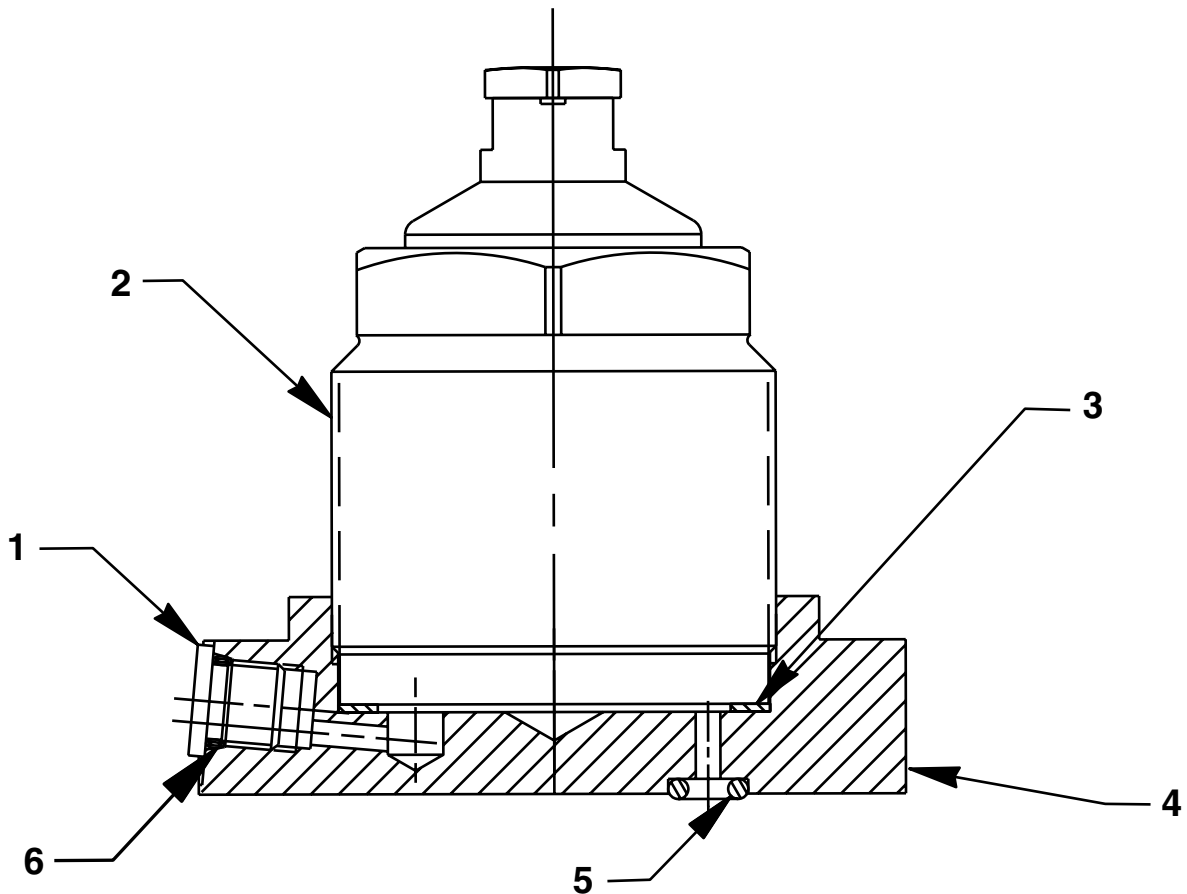


**FLUID ADVANCE
WORK SUPPORT
4,000 LBS. WITH BASE**

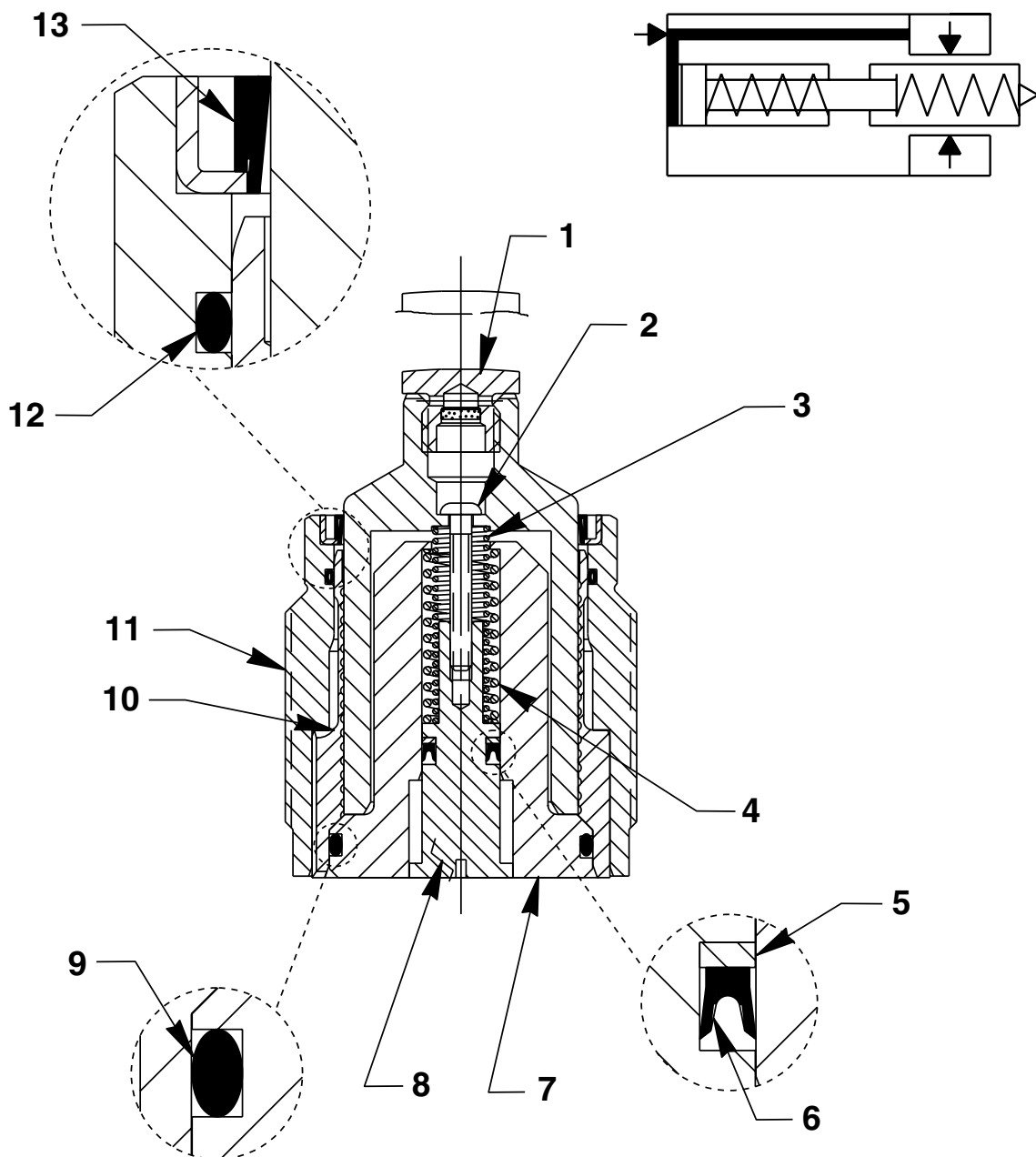


Item No.	Part No.	No. Req'd	Description
1	250883	1	Fitting, Plug (1/4 Tube)
2	350862	1	Support, Fluid Work 4000 Lb. (Torque to 380/420 ft. lbs.)
3	*251460	1	Washer, Backup (2.14 x 1.78)
4	421728	1	Base, Work Support
5	*251767	1	O-ring (.41 x .22 Nitrile)
6	*11496	1	O-ring (.49 x .35 Nitrile)

Part numbers marked with an asterisk (*) are contained in Repair Kit No. 300911.

WORK SUPPORT ASSEMBLY

HYDRAULIC SCHEMATIC



Item No.	Part No.	No. Req'd	Description
1	251560	1	Button, W/Filter
2	251474-1	1	Screw, Button Hd (6-32 x 1 LG; Apply loctite 271 or equiv. adjust screw until piston is flush with adapter.)
3	251388	1	Spring (.36 OD x 2.75 x .03 WS)
4	251389	1	Spring (.49 OD x 1.75 x .05 WS)
5	*250335	1	Washer, Backup (.50 x .33)
6	*251462	1	U-cup (.50 x .31 x .09 L)
7	350819	1	Adapter, Piston
8	350804	1	Piston, Hydraulic
9	*251463	1	O-ring (1.69 x 1.50 Urethane)
10	420781	1	Support, Plunger & Sleeve
11	420780	1	Body, Work Support
12	*251465	1	O-ring (1.75 x 1.63 Urethane)
13	*252217	1	Wiper, Rod (1.88 x 1.50 Nitrile)

Part numbers marked with an asterisk (*) are contained in Repair Kit No. 300911.