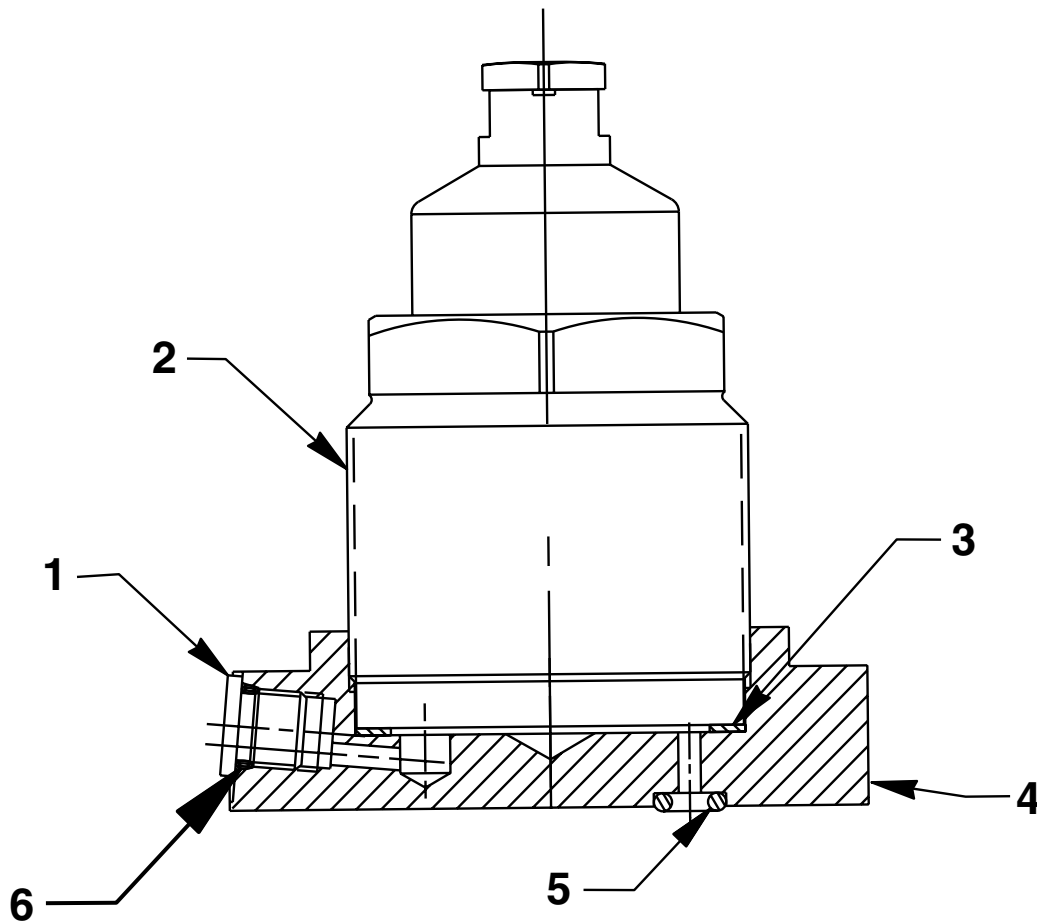


**SPRING ADVANCE  
WORK SUPPORT  
4,000 LBS. WITH BASE**

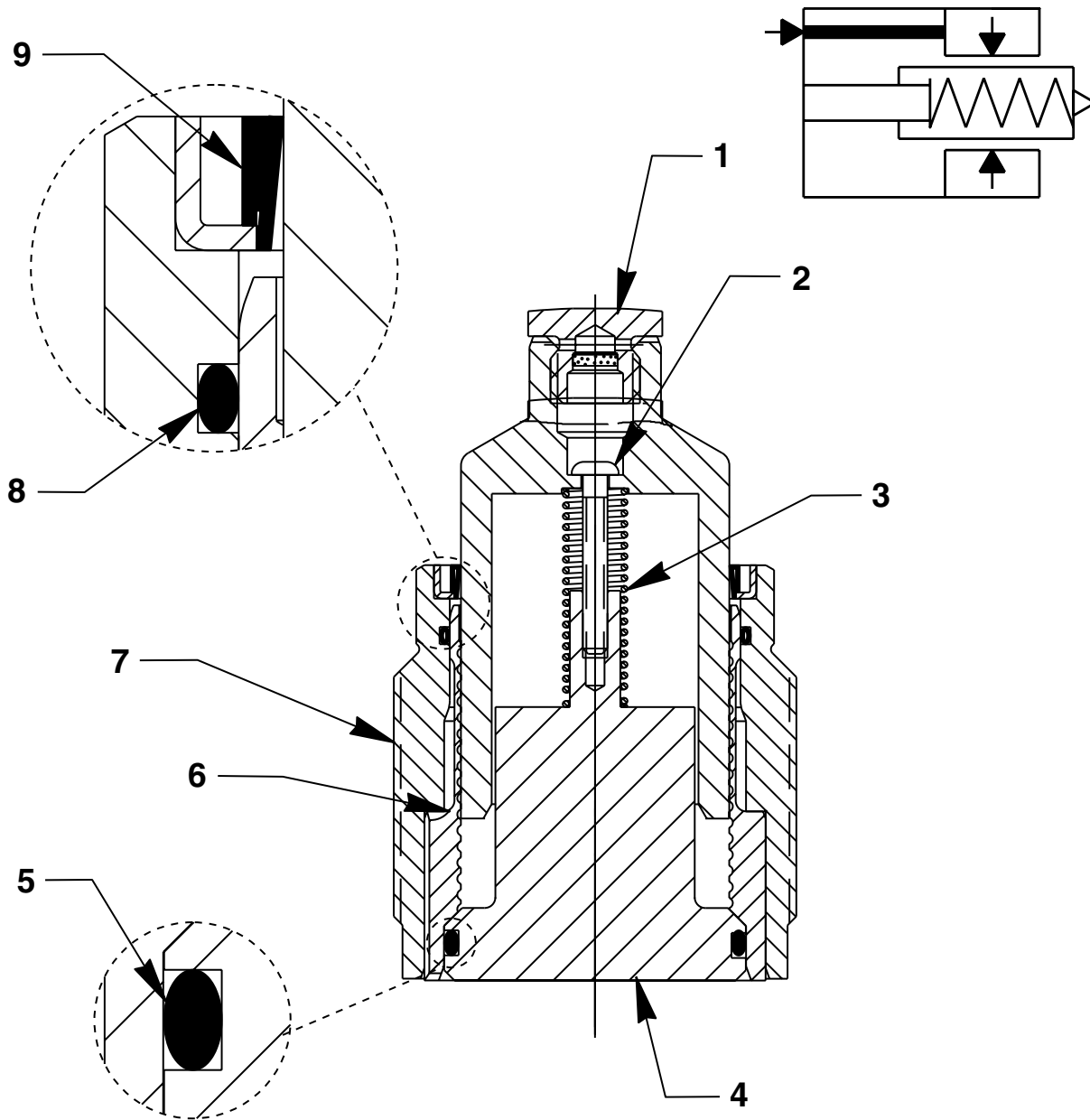


Item No.	Part No.	No. Req'd	Description
1	250883	1	Fitting, Plug (1/4 Tube)
2	350863	1	Support, Spring Work 4000 Lb. (Torque to 380/420 ft. lbs.)
3	*251460	1	Washer, Backup (2.14 x 1.78)
4	421728	1	Base, Work Support
5	*251767	1	O-ring (.41 x .22 Nitrile)
6	*11496	1	O-ring (.49 x .35 Nitrile)

Part numbers marked with an asterisk (\*) are contained in Repair Kit No. 300664.

**WORK SUPPORT ASSEMBLY**

**HYDRAULIC SCHEMATIC**



Item No.	Part No.	No. Req'd	Description
1	251560	1	Button, W/Filter
2	251474-1	1	Screw, Button Hd (6-32 x 1 LG; Apply loctite 271 or equiv. adjust screw until piston is flush with adapter.)
3	251388	1	Spring (.36 OD x 2.75 x .03 WS)
4	350819	1	Adapter, Spring
5	*251463	1	O-ring (1.69 x 1.50 Urethane)
6	420781	1	Support, Plunger & Sleeve
7	420780	1	Body, Work Support
8	*251465	1	O-ring (1.75 x 1.63 Urethane)
9	*252218	1	Wiper, Rod (1.88 x 1.50 Nitrile)

Part numbers marked with an asterisk (\*) are contained in Repair Kit No. 300664.