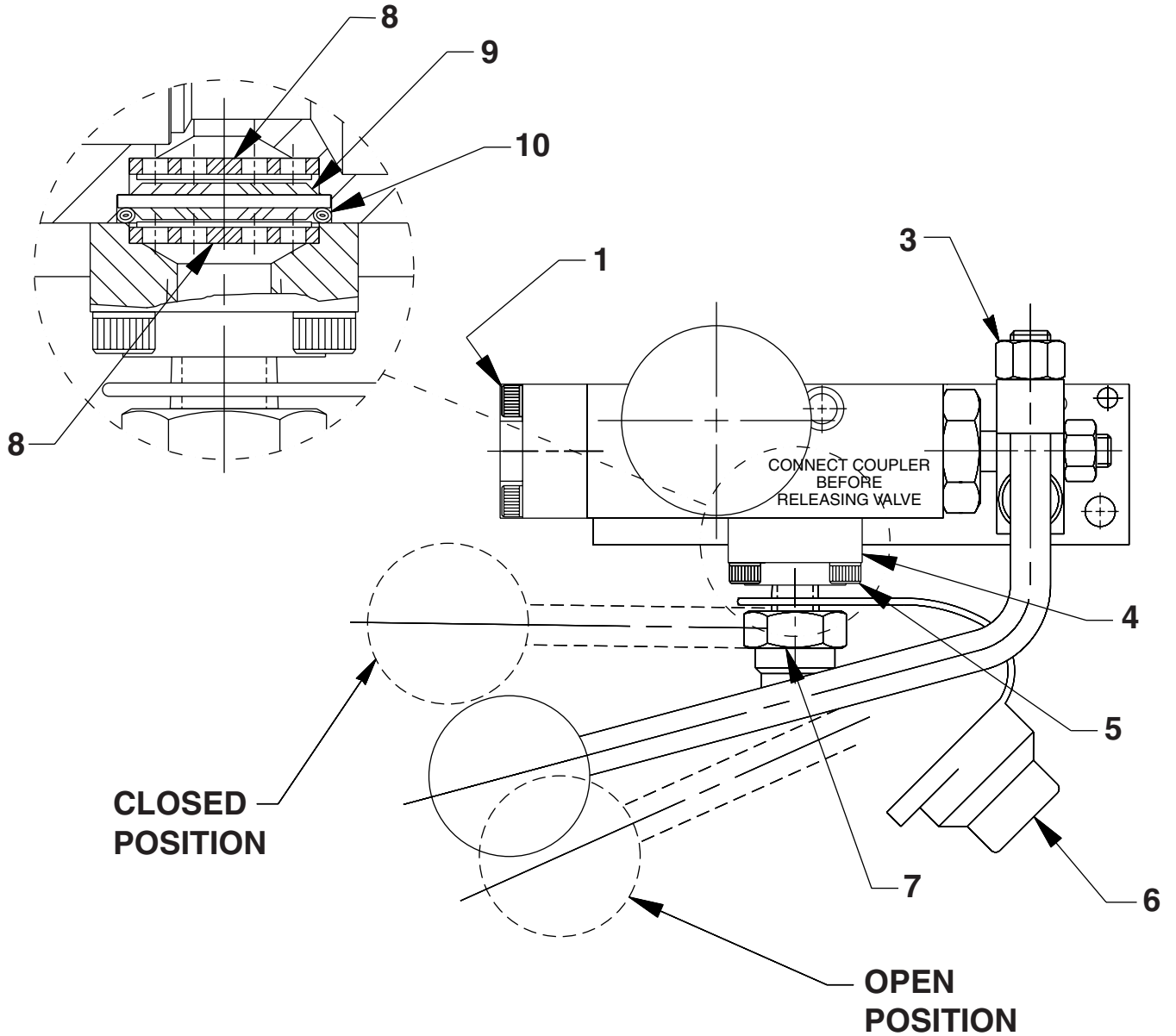


MANUAL PALLET VALVE TOP VIEW



Parts List, Form No. 101943, Back sheet 1 of 3

Item No.	Part No.	No. Req'd	Description
1	12102	4	Screw, Socket HD (10-24 x 3/4; Torque to 60-70 in. lbs.; for 110050 only)
	11152	4	Screw, Socket HD (10-24 x 5/8; Torque to 60-70 in. lbs.; for 110051 and 110052 only)
3	10204	1	Nut, Lock (3/8-16; Torque to 200 in. lbs.)
4	351541	1	Block, Filter
5	11152	4	Screw, Socket HD (10-24 x 5/8; Torque to 60-70 in. lbs.)
6	251779	1	Cap, Dust
7	251777	1	Coupler, Quick Disconnect
8	250937	2	Support, Disc
9	* 250935	1	Filter, Pleated Element
10	* 10658	1	O-ring (1.00 x .81 Nitrile)

Part numbers marked with an asterisk (*) are contained in Repair Kit No. 300987.

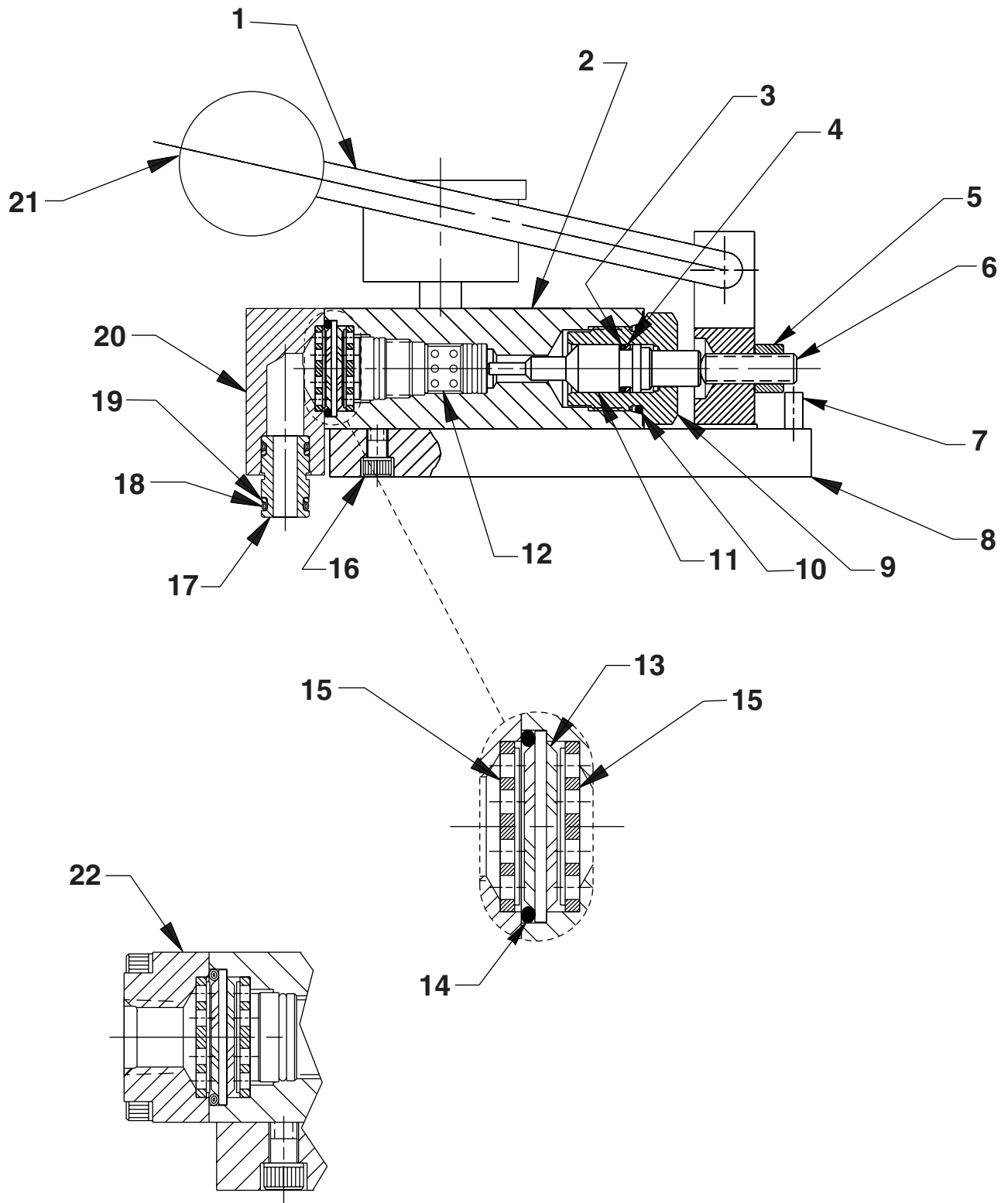
Note: Removed Item #2 (decal #420691) at last revision(s) made to this form.

Refer to any operating instructions included with this product for detailed information about operation, testing, disassembly, reassembly, and preventive maintenance.

Items found in this parts list have been carefully tested and selected. **Therefore: Use only genuine Power Team replacement parts!**

Additional questions can be directed to our Technical Services Department.

SECTION SIDE VIEW



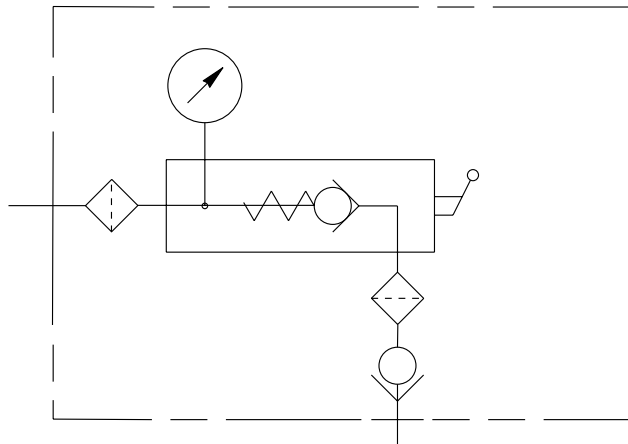
Item No.	Part No.	No. Req'd	Description
1	351825	1	Handle
2	59012	1	Block
3	*10268	1	O-ring (.50 x .37 Nitrile)
4	*11863	1	Washer, Backup (.50 x .38)
5	13116	1	Nut, Hex Lock (5/16-18)
6	213767	1	Screw, Hex Set (5/16-18 x 1 Lg; Grease oval point only during ass'y.)
7	11418	1	Pin, Roll (.19 x 1.00; Install until flush with bottom of plate [Item 8].)
8	421591	1	Plate, Mounting
9	307506	1	Plug, Guide
10	*10653	1	O-ring (.93 x .75 Nitrile)
11	351556	1	Pin
12	*253138	1	Valve, Check 5,000 PSI (Torque to 25/30 ft. lbs.)
13	*250935	1	Filter, Pleated Element
14	*10658	1	O-ring (1.00 x .81 Nitrile)
15	250937	2	Support, Disc
16	11152	2	Screw, Socket HD (10-24 x 5/8)
17	21094	1	Bushing (for 110050 only)
18	*10268	2	O-ring (.50 x .37 Nitrile; for 110050 only)
19	*11863	2	Washer, Backup (for 110050 only)
20	421590	1	Block, Filter (for 110050 only)
21	211911	1	Knob, Ball
22	351542	1	Block, Filter (110051-SAE Port)
	351541	1	Block, Filter (110052-Pipe Port)

PARTS INCLUDED BUT NOT SHOWN

250961	1	Fitting, Plug (7/16-20 Plastic; 110051-SAE Port)
13270	1	Cap, Plastic (110052-Pipe Port)

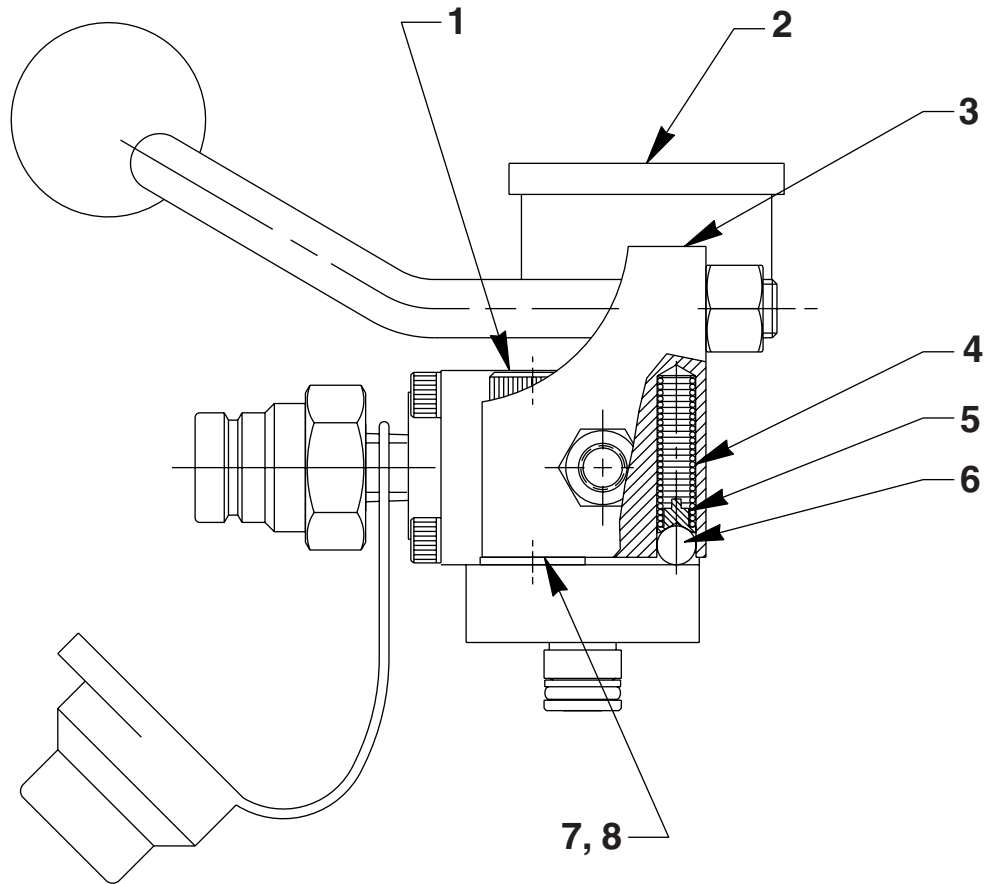
Part numbers marked with an asterisk (*) are contained in Repair Kit No. 300987.

HYDRAULIC SCHEMATIC



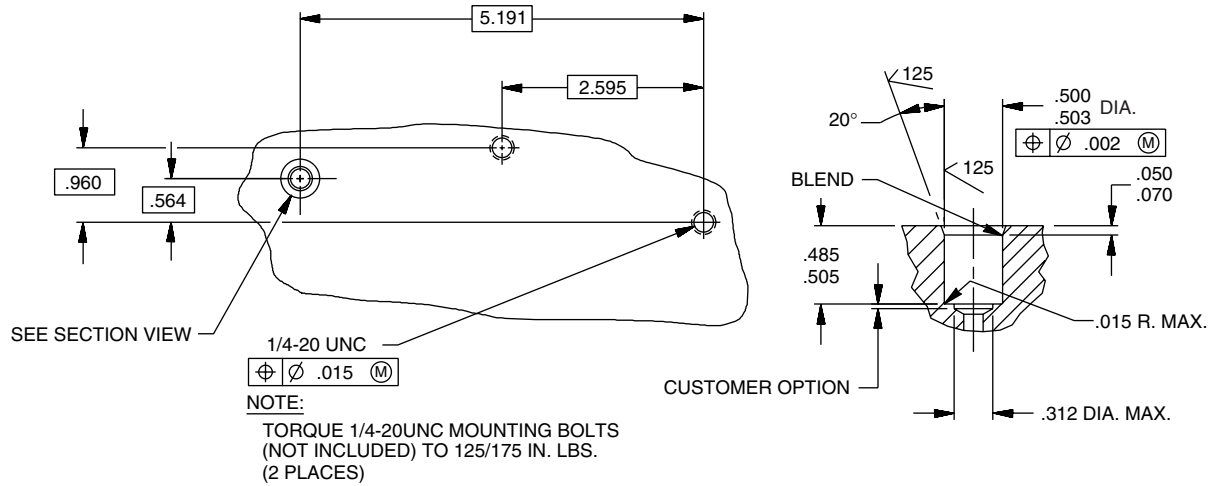
SUPPLY

END VIEW



Item No.	Part No.	No. Req'd	Description
1	213768	1	Screw, Shoulder (5/16-18 x 1; Apply grease to shoulder bolt body only during ass'y; Use Omnifit 1750 or equiv. adhesive on threads only; Torque to 180-200 in. lbs.)
2	421303	1	Gauge, 6,000 PSI (1-1/2 DIA.)
3	421799	1	Lever
4	213769	1	Spring (.24 OD x 1.90 Lg. x .04 WS)
5	200796	1	Adapter, Ball & spring (Grease during ass'y.)
6	10375	1	Ball (1/4" DIA. Steel; Grease during ass'y.)
7	211497	1	Washer, Backup (.69 x .46)
8	253332	1	Washer, Plain (.45 x .33)

INSTALLATION DIAGRAM FOR 110050



INSTALLATION DIAGRAM FOR 110051 AND 110052

