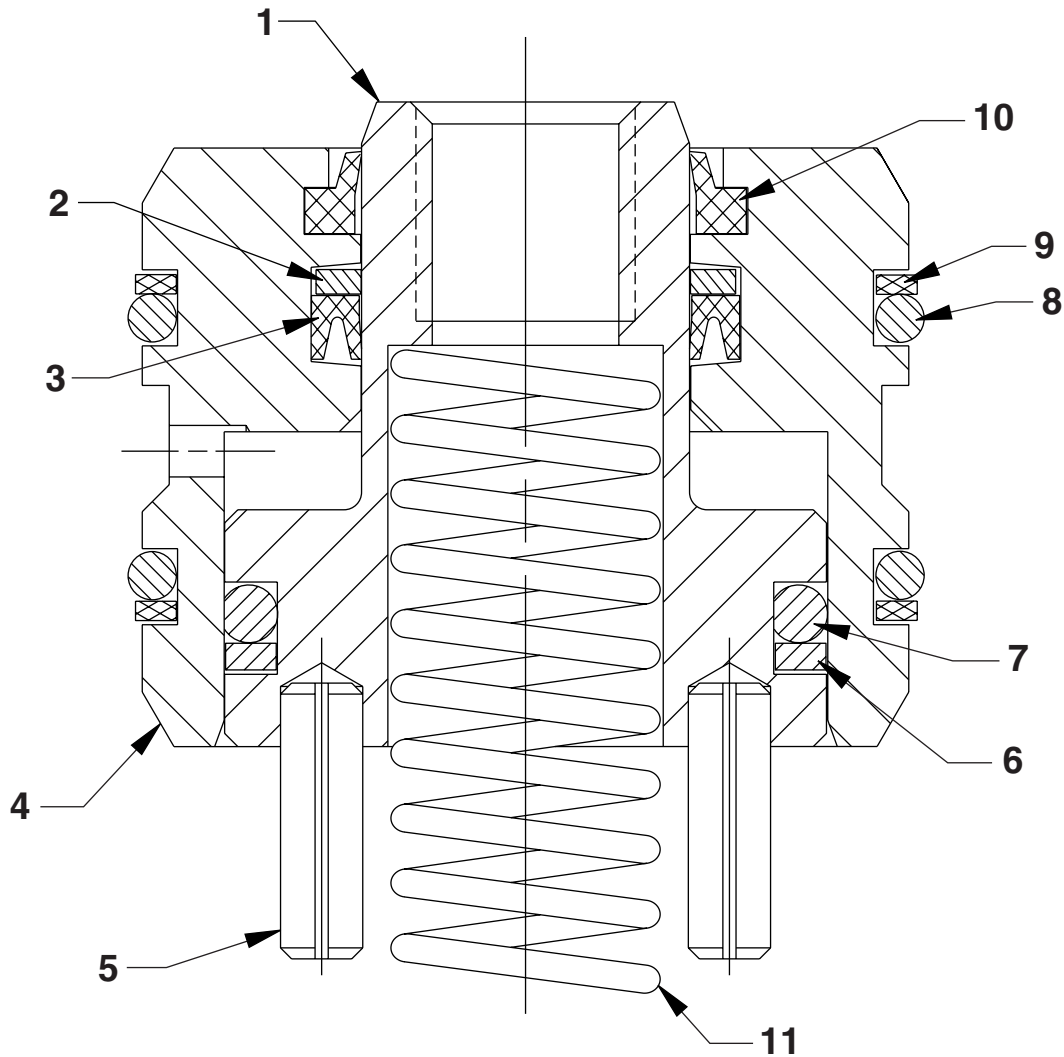


Parts List for:

110069	110073	110076
110070	110074	110077
110071	110075	110078
110072		

**PULL CYLINDER**



# Parts List, Form No. 101953, Back sheet 1 of 1

Item No.	1	2	3	4	5	6	7	8	9	10	11	Repair Kit	
Description	Piston Rod	Backup Washer	U-cup	Cylinder Body	Roll Pin	Backup Washer	O-ring	O-ring	Backup Washer	Rod Wiper	Spring		
Qty. Req'd	1	1	1	1	2	1	1	2	2	1	1		
Part No.	110069	421649	253267*	252470*	421648	–	252515*	252505*	12549*	16202*	252211*	253130	300991
	110070	421665	208721*	216328*	421670	–	252805*	10274*	16684*	16817*	216289*	253133	300992
	110071	421655	208721*	216328*	421654	–	252805*	10274*	16684*	16817*	216289*	253133	300992
	110072	421666	208721*	216328*	421650	–	19138*	209100*	253227*	253168*	216289*	253131	300993
	110073	421651	208721*	216328*	421650	–	19138*	209100*	253227*	253168*	216289*	253131	300993
	110074	421667	253228*	253229*	421672	–	19141*	210365*	252589*	19134*	250822*	253134	300994
	110075	421656	253228*	253229*	421672	–	19141*	210365*	252589*	19134*	250822*	253134	300994
	110076	421890	250479*	250480*	421652	11916	19144*	251636*	10922*	253540	250478*	253576	300995
	110077	421889	250479*	250480*	421652	11916	19144*	251636*	10922*	253540	250478*	253576	300995
	110078	421669	253157*	253149*	421673	10585	253150*	10285*	253151*	253152*	253148*	253147	300996

Part numbers marked with an asterisk (\*) are contained in Repair Kit.

Note: Shaded areas reflect last revision(s) made to this form.

Refer to any operating instructions included with this product for detailed information about operation, testing, disassembly, reassembly, and preventive maintenance.

Items found in this parts list have been carefully tested and selected. **Therefore: Use only genuine Hytec replacement parts!**

Additional questions can be directed to our Technical Services Department.