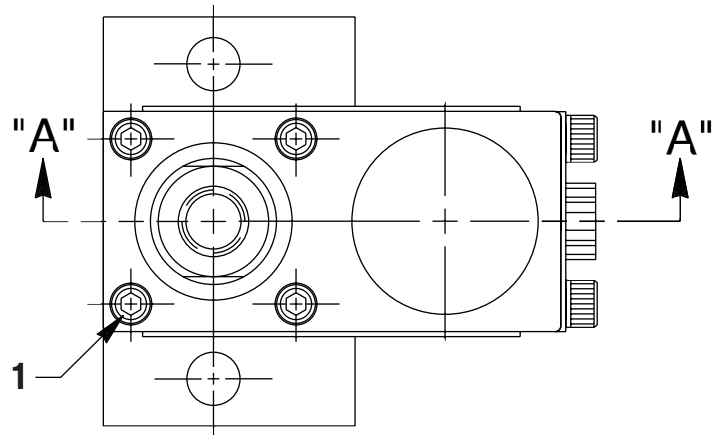
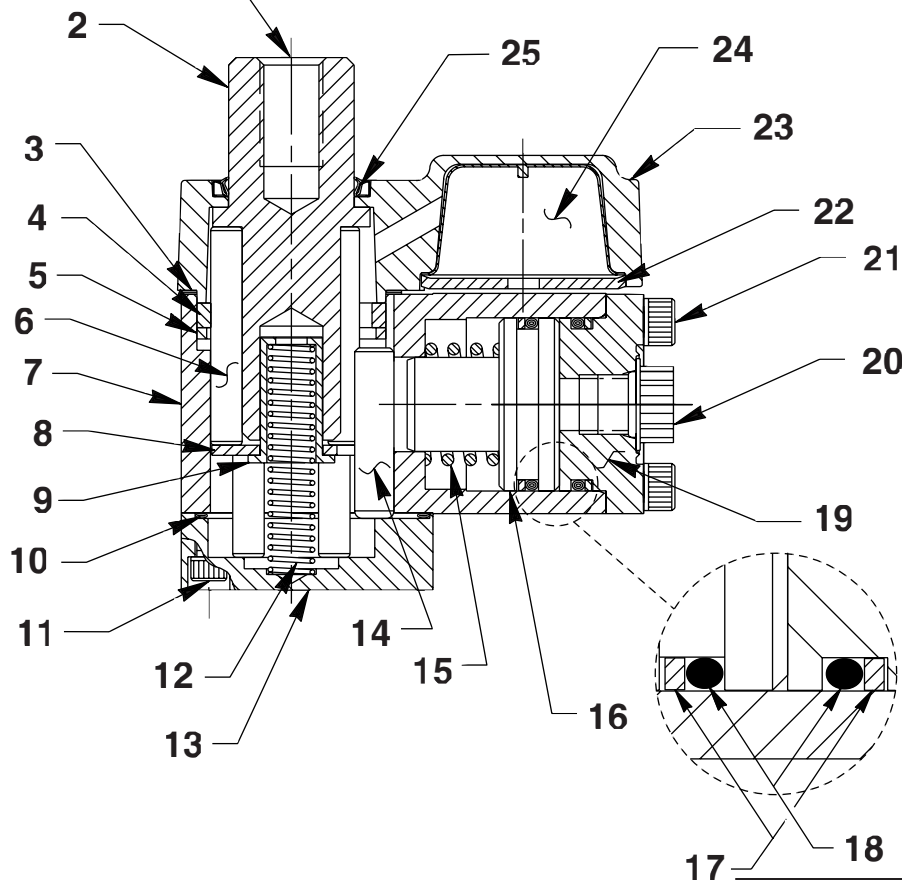


**MODEL B
HYDRAULIC WORK SUPPORT**



M12 x 1.5 6H
x .866 Min Thd



Parts List, Form No. 101968, Back sheet 1 of 1

Item No.	Part No.	No. Req'd	Description
1	14426	4	Screw, Socket HD (10-24 x 1; Torque to 60/70 in. lbs.)
2	351841	1	Shaft, Center
3	*307061	1	Gasket
4	250471	1	Washer, Spring (1.46 x 1.35)
5	201882	1	Retainer, Upper Pin
6	201881	1	Set, Dowel Pin (.25 x 1.73; NOTE: Must be replaced as a set of 12)
7	42334	1	Body, Work Support
8	201883	1	Retainer, Lower Pin
9	201877	1	Retainer, Plate
10	*14875	1	O-ring (1.62 x 1.50 Nitrile)
11	11152	4	Screw, Socket HD (10-24 x 5/8; Torque to 60/70 in. lbs.)
12	17796	1	Spring (.37 OD x 3.00 Lg. x .04 WS)
13	46654	1	Flange, Bottom
14	214463	1	Pin, Dowel (.31 x 1.38)
15	253059	1	Spring (1.00 OD x .67 Lg. x .12 WS)
16	201878	1	Plunger, Piston
17	*19177	2	Washer, Backup (1.38 x 1.19)
18	*10914	2	O-ring (1.38 x 1.19 Nitrile)
19	351842	1	Cap, End
20	253427	1	Cap, Plastic metric
21	10006	4	Screw, Socket HD (1/4-20 x 5/8; Torque to 140/160 in. lbs.)
22	----	1	Plug, Expansion (Not a serviceable part; available only with Cap Assembly [Item #23])
23	250681	1	Cap Assembly (Includes a wiper [Item #25], a diaphragm, and expansion plug)
24	----	1	Diaphragm, Rubber (Not a serviceable part; available only with Cap Assembly [Item #23])
25	*15087	1	Wiper, Rod (1.25 x 1.00 Nitrile; Included in Cap Assembly [Item #23]; NOTE: Assemble with Loctite gasket eliminator or equivalent.)

PARTS INCLUDED BUT NOT SHOWN

351855 2 Decal, Tradename/Specs. (Hytec)

Part numbers marked with an asterisk (*) are contained in Repair Kit No. 300641.

Note: Shaded areas reflect last revision(s) made to this form.

Refer to any operating instructions included with this product for detailed information about operation, testing, disassembly, reassembly, and preventive maintenance.

Items found in this parts list have been carefully tested and selected. **Therefore: Use only genuine Hytec replacement parts!**

Additional questions can be directed to our Technical Services Department.