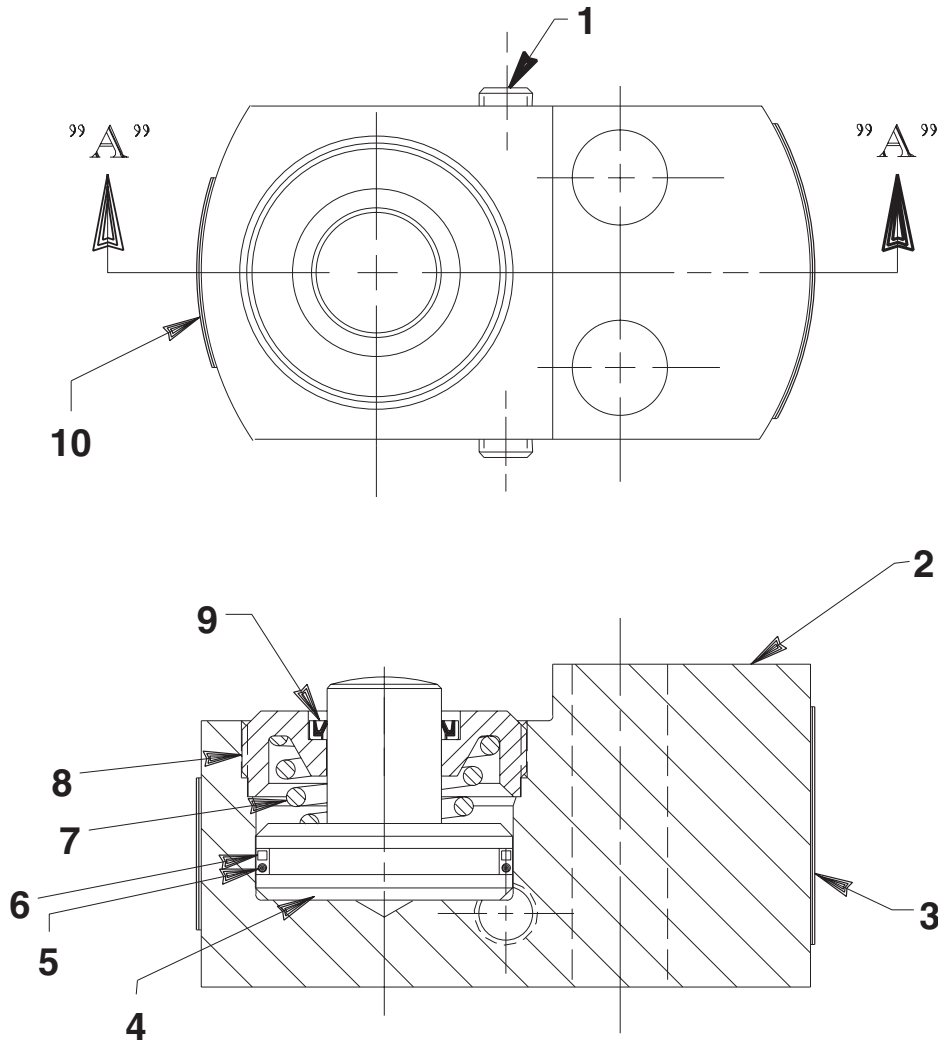


## HYDRAULIC CYLINDER

Max. Capacity: 5,000 PSI

2.235 in.<sup>2</sup> Effective Area -- 11,175 lbs. Clamping Force at 5,000 PSI



Item No.	Part No.	No. Req'd	Description
1	10427	2	Plug (1/8 NPTF)
2	420146	1	Cylinder Body
3	212064	1	Warning Decal
4	46205	1	Piston Rod
5	*14739	1	O-ring (1-11/16 x 1-1/2 x 3/32, -128)
6	*19272	1	Backup Washer

Item No.	Part No.	No. Req'd	Description
7	212044	1	Compression Spring
8	46203	1	Retainer Nut (Torque to 300/350 in. lbs.)
9	*15088	1	Rod Wiper
10	215829	1	Decal

Part numbers marked with an asterisk (\*) are contained in Repair Kit No. 300455.

## INTRODUCTION

Hytec #100839 die clamp is ideal for permanent installation on presses to facilitate quick die changes. Its unique design allow it to be mounted simply by using a clamp riser equal in thickness to the member being clamped. Just two 5/8, grade 8 cap screws are sufficient to mount the clamp and resist its 11,180 lb. maximum clamping force. (For proper clamp support and minimum deflection, design the riser so that it contacts the entire clamp mounting surface.)

Two pressure ports make these clamps easy to chain together without the need for an extra tee fitting for each clamp.

The clamp features a low overall height, heat treated body, bronze plated piston, and a piston rod wiper seal to keep contaminants out. Intended for use in 5,000 PSI maximum systems, this single-acting, spring return clamp has a generous 1/4 inch stroke.

## SAFETY PRECAUTIONS

**WARNING:** To help avoid personal injury,

- Use of this product may require modifications of of attachments to the dies to be clamped. This work should be performed only by persons qualified to insure system safety.
- Never exceed the maximum operating pressure of 5,000 PSI.

## SUGGESTED INSTALLATION

