

# IMPORTANT

Form No. 102982  
Rev.  
Date: 15 Oct. 1998

The channel portion of the Uniforce® clamp for Mitee-Bite Products Company is made from a soft aluminum extrusion. It is intended to deflect and conform to the shape of the workpiece. In fact, its function is dependent on the resiliency of the channel and some wear and permanent deformation must be expected. For this reason:

## The Uniforce® clamp must be considered a consumable item.

Periodic replacement must be made part of your overall preventative maintenance program.

Because of variations in applications, Hytec has no way to estimate or control the life of the Uniforce® clamp. To help you plan, we offer the following estimates but cannot guarantee these results:

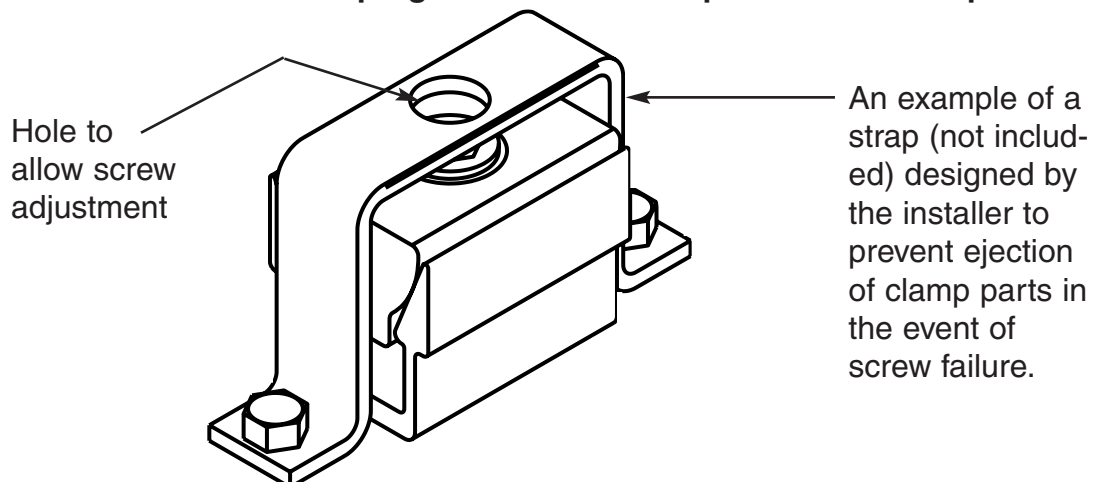
- At lower forces with consistently sized, smooth-sided workpieces, life in the 100,000 cycle range is possible if care is taken not to off-center load the clamp.
- At the clamp's maximum rated load under severe conditions, life may be limited by wear, deformation or screw fatigue to under 20,000 cycles.

**NOTE:** When replacing the Uniforce® clamp, always replace the cap screw connecting it.



### WARNING

Because of variations in applications, Hytec has no way to estimate or control the bending stress in the fastener connecting the Uniforce® clamp to the hydraulic cylinder. This stress can lead to cap screw failure over time. It is strongly recommended that some means of retaining the screw and Uniforce® clamp to prevent it from being ejected from the fixture in the event of screw failure. The clamp itself will likely need replacement before screw failure, but your preventive maintenance program must include periodic screw replacement.



As a consumable item, Hytec's Marathon Lifetime warranty does not cover the Uniforce® clamp or the cap screw connecting it to the cylinder. The hydraulic cylinder is covered under normal terms.