

SPX Corporation
5885 11th Street
Rockford, IL 61109-3699 USA

Internet Address:
<http://www.powerteam.com>
Tech. Services: (800) 477-8326
Fax: (800) 765-8326
Order Entry: (800) 541-1418
Fax: (800) 288-7031

SPX Corporation
655 Eisenhower Drive
Owatonna, MN 55060-0995 USA
Phone: (507) 455-7000
Tech. Services: (800) 533-6127
Fax: (800) 955-8329
Order Entry: (507) 455-1480
Fax: (800) 283-8665
International Sales: (507) 455-7223
Fax: (507) 455-7746

**Operating & Installation
Instructions for:**

	300446
300132	300447
300140	300448
300273	300449

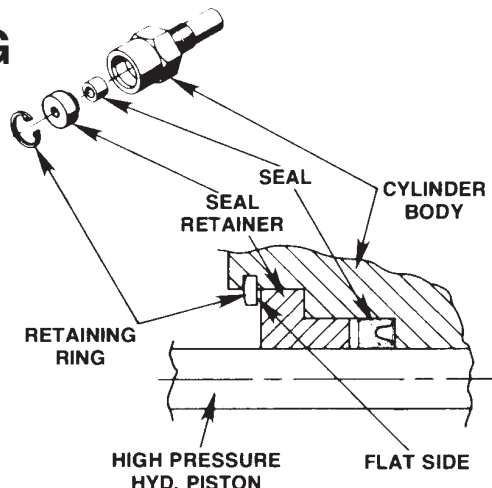
RETAINING RING

PART NUMBER 11034

INSTALLATION INSTRUCTIONS

The Retaining Ring (Part No. 11034) must be installed with the flat side, or sharp edge, placed toward the retainer as shown.

IMPORTANT: Correct installation of the retaining ring can determine how long the air/hydraulic pump will run without malfunction.



Sheet No. 1 of 1

Rev. 2 Date: 29 Oct. 1996

Litho in USA

SPX Corporation
5885 11th Street
Rockford, IL 61109-3699 USA

Internet Address:
<http://www.powerteam.com>
Tech. Services: (800) 477-8326
Fax: (800) 765-8326
Order Entry: (800) 541-1418
Fax: (800) 288-7031

SPX Corporation
655 Eisenhower Drive
Owatonna, MN 55060-0995 USA
Phone: (507) 455-7000
Tech. Services: (800) 533-6127
Fax: (800) 955-8329
Order Entry: (507) 455-1480
Fax: (800) 283-8665
International Sales: (507) 455-7223
Fax: (507) 455-7746

**Operating & Installation
Instructions for:**

	300446
300132	300447
300140	300448
300273	300449

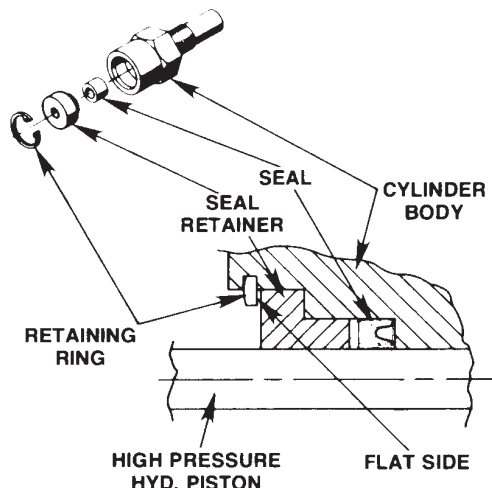
RETAINING RING

PART NUMBER 11034

INSTALLATION INSTRUCTIONS

The Retaining Ring (Part No. 11034) must be installed with the flat side, or sharp edge, placed toward the retainer as shown.

IMPORTANT: Correct installation of the retaining ring can determine how long the air/hydraulic pump will run without malfunction.



Sheet No. 1 of 1

Rev. 2 Date: 29 Oct. 1996

Litho in USA