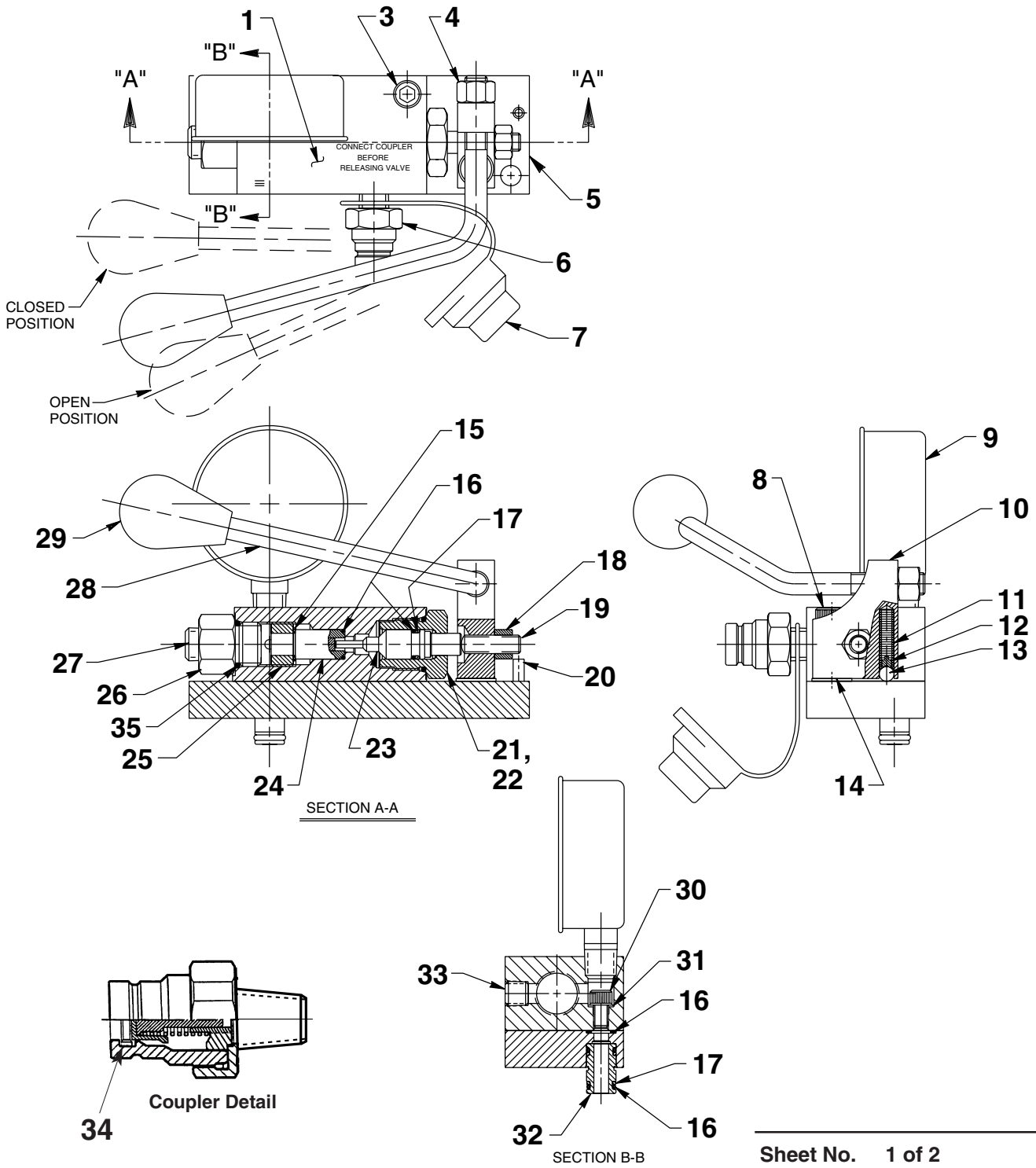


MODEL E
MANUAL PALLET VALVE
With Manifold Mount Capabilities



Part List, Form No. 108000, Back sheet 1 of 2

Item No.	Part No.	No. Req'd	Description
1	53510	1	Valve Body
3	10809	2	Cap Screw (5/16-18 X 1-1/4 Lg.)
4	10204	1	Locknut (3/8-16; Torque to 200 in.lbs.)
5	48012	1	Mounting Plate
6	100907	1	Quick Disconnect Coupler-Plug
7	251779	1	Dust Cap
8	213768	1	Shouldered Cap Screw (3/8 Dia. X 1" Lg.; Note: Apply grease to shoulder bolt body only. Use Omnifit 1750 or equiv. adhesive on threads only. Torque to 180-200 in. lbs.)
9	17946	1	Pressure Gauge (0-6000 PSI)
10	421799	1	Lever
11	213769	1	Compression Spring (1/4 O.D. X 1-7/8 Lg.)
12	200796	1	Spring & Ball Adapter
13	10375	1	Steel Ball (1/4 Dia.)
14	211497	1	Backup Washer
15	12042	1	Copper Washer (9/16 X 3/8 X 1/32; Note To be approximately centered on end of check valve [Item 24])
16	10268	5	O-ring (1/2 X 3/8 X 1/16)
17	11863	3	Backup Washer (1/2 x 3/8 X 1/16)
18	13116	1	Locknut (5/16-18 UNC)
19	213767	1	Set Screw-Oval Pt. (5/16-18 X 1" Lg.; Note: Grease oval point only)
20	11418	1	Slotted Spring Pin (3/16 Dia. X 1" Lg.; Note: Install until flush with bottom of mounting plate [Item 5])
21	307506	1	Guide Plug
22	10653	1	O-ring (.949 X .755 X .097)
23	307507	1	Pin
24	213204	1	Check Valve
25	17055	1	Hollow Lock Screw (3/4-16; Torque to 180-200 in. lbs.)
26	213766	1	Straight Fitting (For standard mount)
	11946	1	Straight Fitting (For manifold mount)
27	10479	1	Pipe Plug (1/4 NPTF; not needed for manifold mount)
28	351825	1	Handle
29	211911	1	Plastic Knob
30	10002	1	Soc. Hd. Cap Screw (1/4-20 UNC X 3/8 Lg.; Torque to 90/100 in. lbs.)
31	10442	1	Copper Washer (3/8 X 1/4 X 1/32)
32	21094	1	Bushing
33	15499	1	Pipe Plug (1/8 NPTF)
34	300820	1	Coupler Seal
35	10527	1	O-ring (.818 X .644 X .087; Included with item #26)

Note: Grease during assembly

Includes o-ring (Item #35)

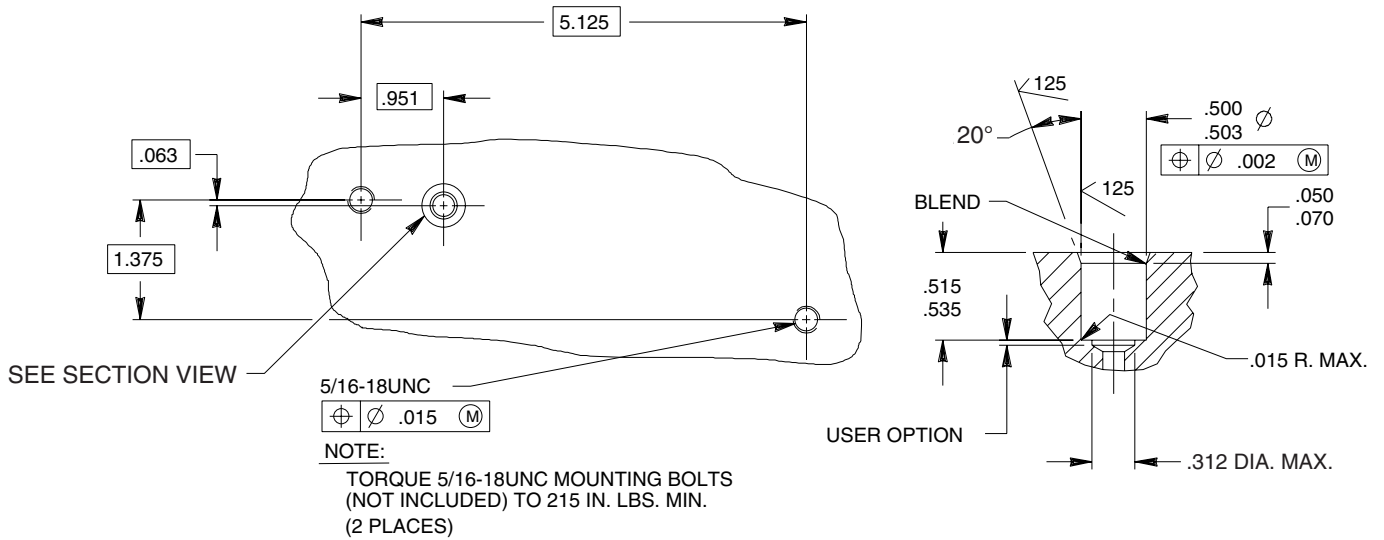
Note: Removed Item #2 (decal #420691) at last revision(s) made to this form.

Refer to any operating instructions included with this product for detailed information about operation, testing, disassembly, reassembly, and preventive maintenance.

Items found in this parts list have been carefully tested and selected. **Therefore: Use only genuine Hytec replacement parts!**

Additional questions can be directed to our Technical Services Department.

INSTALLATION INSTRUCTIONS FOR MANIFOLD MOUNT



HYDRAULIC SCHEMATIC

