

Parts List for:

110092	110098
110093	110099
110094	110100

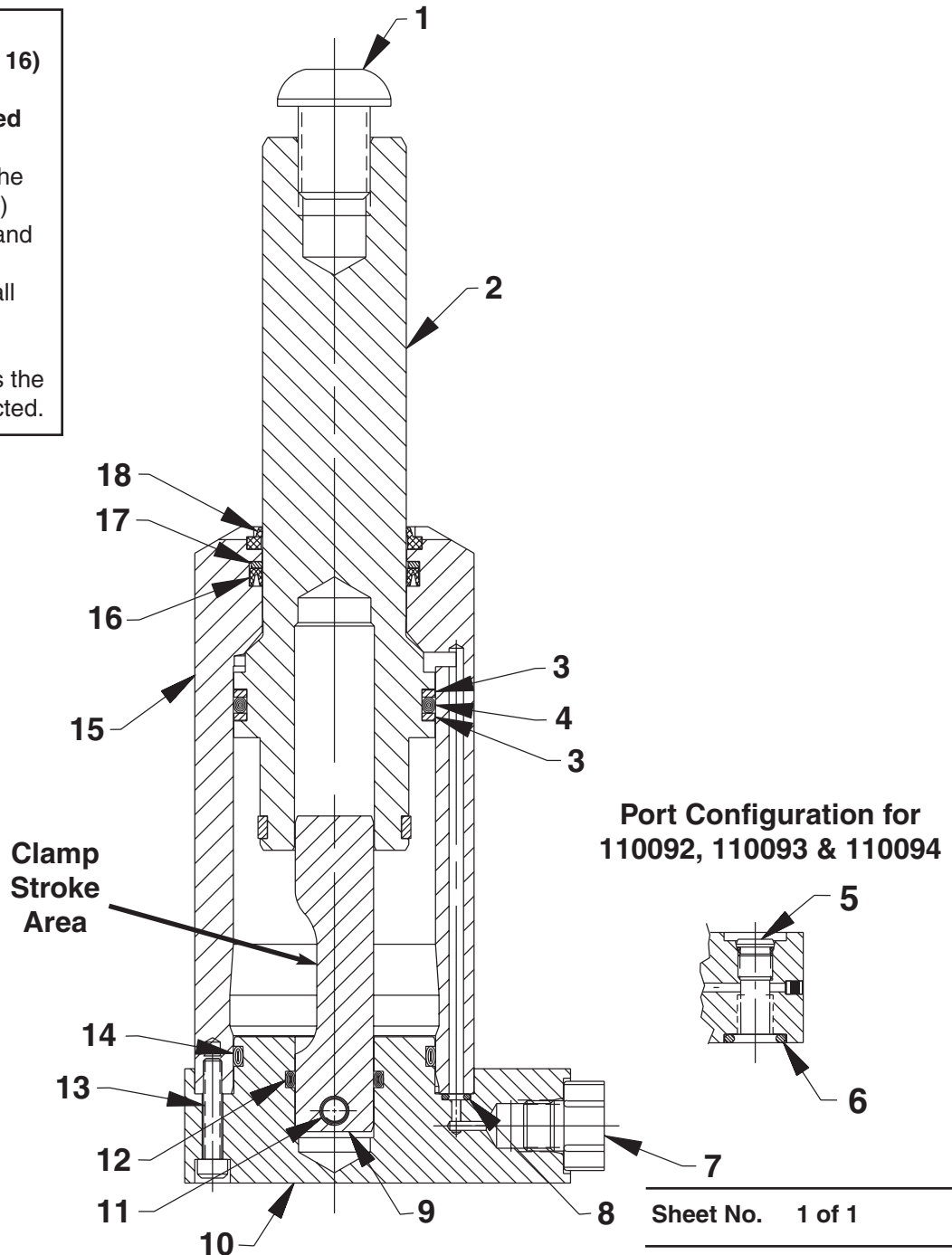
**DOUBLE-ACTING (LOWER FLANGE)
SWING / PULL CLAMP**

Max. Capacity: 4,500 lbs. Clamping Force (with 2-1/2" lg. arm) at 5,000 PSI

<u>110092</u> - Left Hand	<u>110098</u> - Left Hand
<u>110093</u> - Right Hand	<u>110099</u> - Right Hand
<u>110094</u> - Straight Pull	<u>110100</u> - Straight Pull

The piston rod U-cup seal (Item 16) can be easily twisted if installed incorrectly.

Before installing the piston rod (Item 2) lubricate the rod and all seals with hydraulic oil. Install the rod with light pressure and a twisting motion as the seal is first contacted.



Port Configuration for
110092, 110093 & 110094

Parts List, Form No. 108030, Back sheet 1 of 1

Item No.	Part No.	No. Req'd	Description	
1	251630	1	Screw, Button HD (5/8-11 x 1)	
2	351057	1	Piston (1/2" Stroke)	
3	*19144	2	Washer, Backup (1.75 x 1.50)	
4	*251636	1	O-ring (1.75 x 1.50 Urethane)	
5	253089	2	Fitting, Plug (5/16-24; for 110092, 110093 & 110094)	
6	*10269	2	O-ring (.56 x .37 Nitrile; for 110092, 110093 & 110094)	
7	250961	2	Fitting, Plug (7/16-20 plastic; for 110098, 110099 & 110100)	
8	*10264	1	O-ring (.25 x .12 Nitrile)	
9	351045	1	Cam, Left Hand (Left Hand† 90° for 110092 & 110098)	NOTE: Flat of cam (clamp stroke area) to be opposite of body port.
	350985	1	Cam, Right Hand (Right Hand† 90° for 110089 & 110099)	
	351046	1	Cam, Straight (Straight Pull for 110094 & 110100)	
10	351717	1	Base, Swing Clamp (for 110092, 110093 & 110094)	
	59103	1	Base, Swing Clamp (for 110098, 110099 & 110100)	
11	253509	1	Pin, Roll (.25 x 1.13)	
12	*253510	1	O-ring (.87 x .68 polyurethane)	
13	253508	10	Screw, Socket HD (8-32 x 7/8; Apply anti-seize and torque to 50/60 in. lbs.)	
14	*250909	1	O-ring (1.75 x 1.56 Nitrile)	
15	65819	1	Body, Swing Clamp	
16	*251624	1	U-cup (1.50 x 1.25 x .13 L)	
17	*251626	1	Washer, Backup (1.48 x 1.25)	
18	*251622	1	Wiper, Rod (1.53 x 1.25 Urethane)	

Part numbers marked with an asterisk (*) are contained in Repair Kit No. 300821.

†Right hand rotation is clockwise rotation when viewed from the piston rod end.
 Left hand is counterclockwise rotation. To reverse clamp rotation, order the appropriate rotating cam.

Refer to any operating instructions included with this product for detailed information about operation, testing, disassembly, reassembly, and preventive maintenance.

Items found in this parts list have been carefully tested and selected. **Therefore: Use only genuine Hytec replacement parts!**

Additional questions can be directed to our Technical Services Department.