

Parts List for:

110147	110153
110148	110154
110149	110155

**SINGLE-ACTING, CARTRIDGE STYLE MOUNT  
SWING / PULL CLAMP**

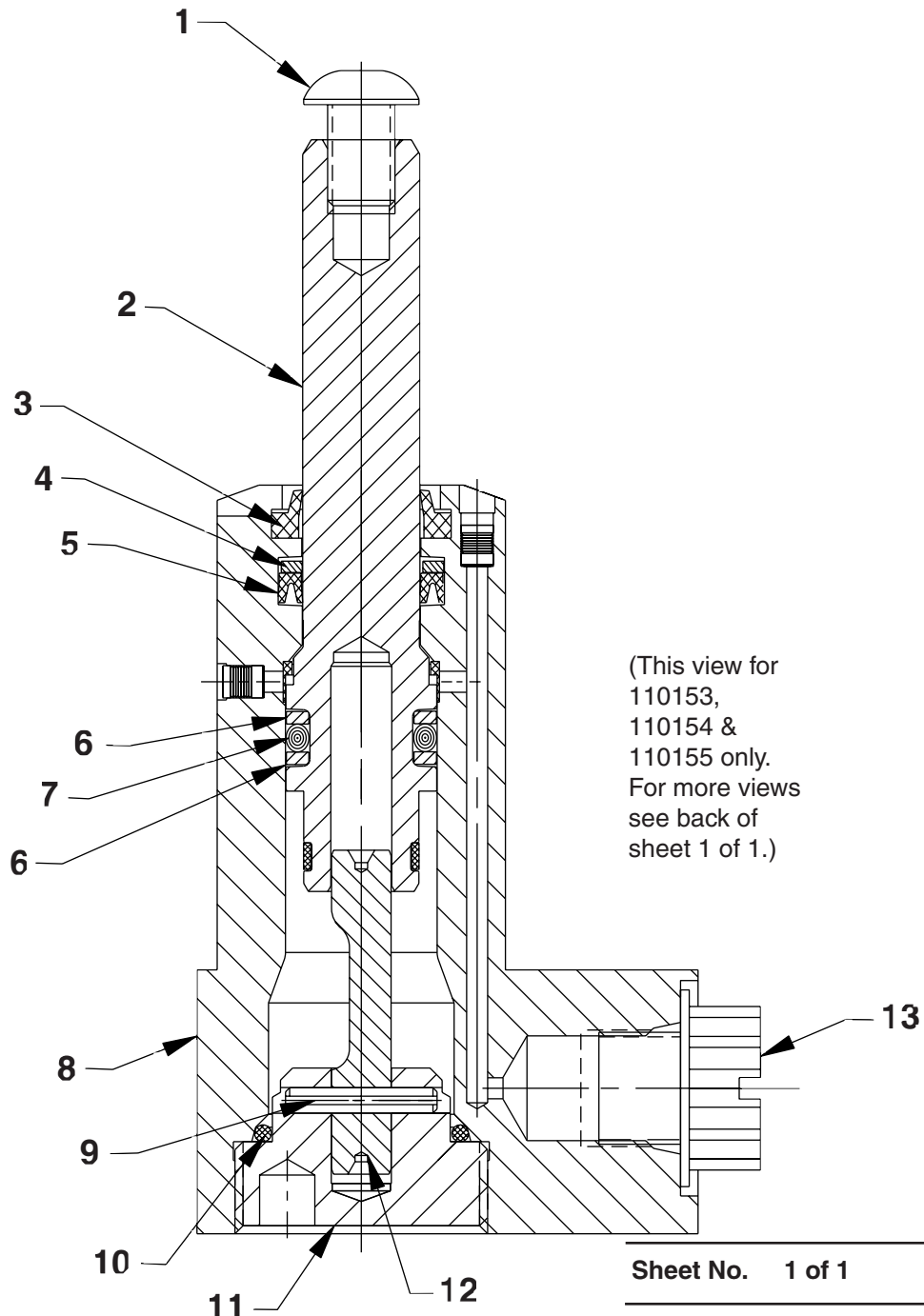
Capacity: 365 lbs. Clamping Force (with 1.06" lg. arm) at 5,000 PSI (350 Bar) Max.

110147 & 110153 - Left Hand

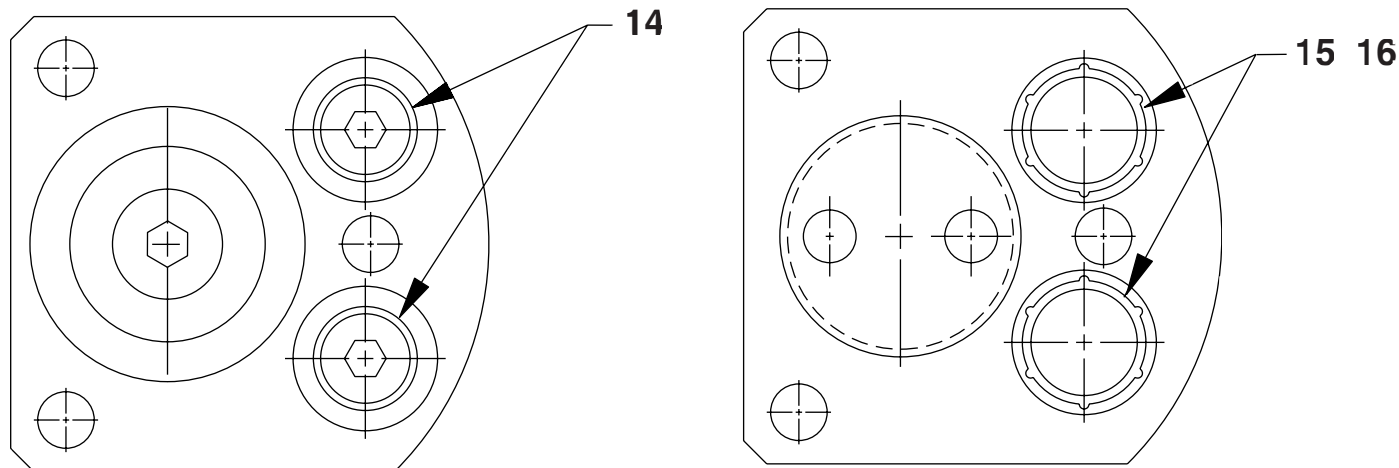
110148 & 110154 - Right Hand

110149 & 110155 - Straight Pull

**The piston rod U-cup seal (Item 5) can be easily twisted if installed incorrectly.**  
Before installing the piston rod (Item 2) lubricate the rod and all seals with hydraulic oil. Install the rod with light pressure and a twisting motion as the seal is first contacted.



(This view for 110153, 110154 & 110155 only. For more views see back of sheet 1 of 1.)



**TOP VIEW**

**BOTTOM VIEW**

(These views for 110147, 110148 & 110149 only)

Item No.	Part No.	No. Req'd	Description
1	251910	1	Screw, Button HD (1/4-20 x 3/8)
2	351400	1	Rod, Piston
3	*252453	1	Wiper, Rod (.69 x .44 URE)
4	*252479	1	Washer, Backup (.61 x .43 x .04)
5	*252473	1	U-cup (.62 x .43 x .09 H)
6	*252515	2	Washer, Backup (.49 x .39)
7	*252505	1	O-ring (.56 x .38 URE)
8	351983	1	Body, w/Plug (For 110147, 110148 & 110149)
	351984	1	Body, w/Plug (For 110153, 110154 & 110155)
9	252877	1	Pin, Spring (.09 x .56)
10	*10527	1	O-ring (.81 x .64 Nitrile)
11	351918	1	Cap, End DA (Torque to 450/470 in. lbs.)
12	351397	1	Cam, Left Hand (Left Hand† 90° for 110147 & 110153)
	351398	1	Cam, Right Hand (Right Hand† 90° for 110148 & 110154)
	351399	1	Cam, Straight (Straight Pull for 110149 & 110155)
13	250961	2	Fitting, Plug (7/16-20 plastic; For 110153, 110154 & 110155)
14	253089	2	Fitting, Plug (5/16-24; For 110147, 110148 & 110149)
15	252531	2	Fitting, Plug (5/16-24 plastic; For 110147, 110148 & 110149)
16	15189	2	O-ring (.36 x .23 Nitrile)

Grease roller in piston rod (Item #17) and cam with a light coating of CDM Extreme Pressure Lube #3.

**PARTS INCLUDED BUT NOT SHOWN**

\*10269 2 O-ring (.56 x .37 Nitrile; For manifold mount fixtures.)

Part numbers marked with an asterisk (\*) are contained in Repair Kit No. 300954.

† Right hand rotation is clockwise rotation when viewed from the piston rod end.  
Left hand is counterclockwise rotation. To reverse clamp rotation, order the appropriate rotating cam.

Refer to any operating instructions included with this product for detailed information about operation, testing, disassembly, reassembly, and preventive maintenance.

Items found in this parts list have been carefully tested and selected. **Therefore: Use only genuine Hytec replacement parts!**

Additional questions can be directed to our Technical Services Department.