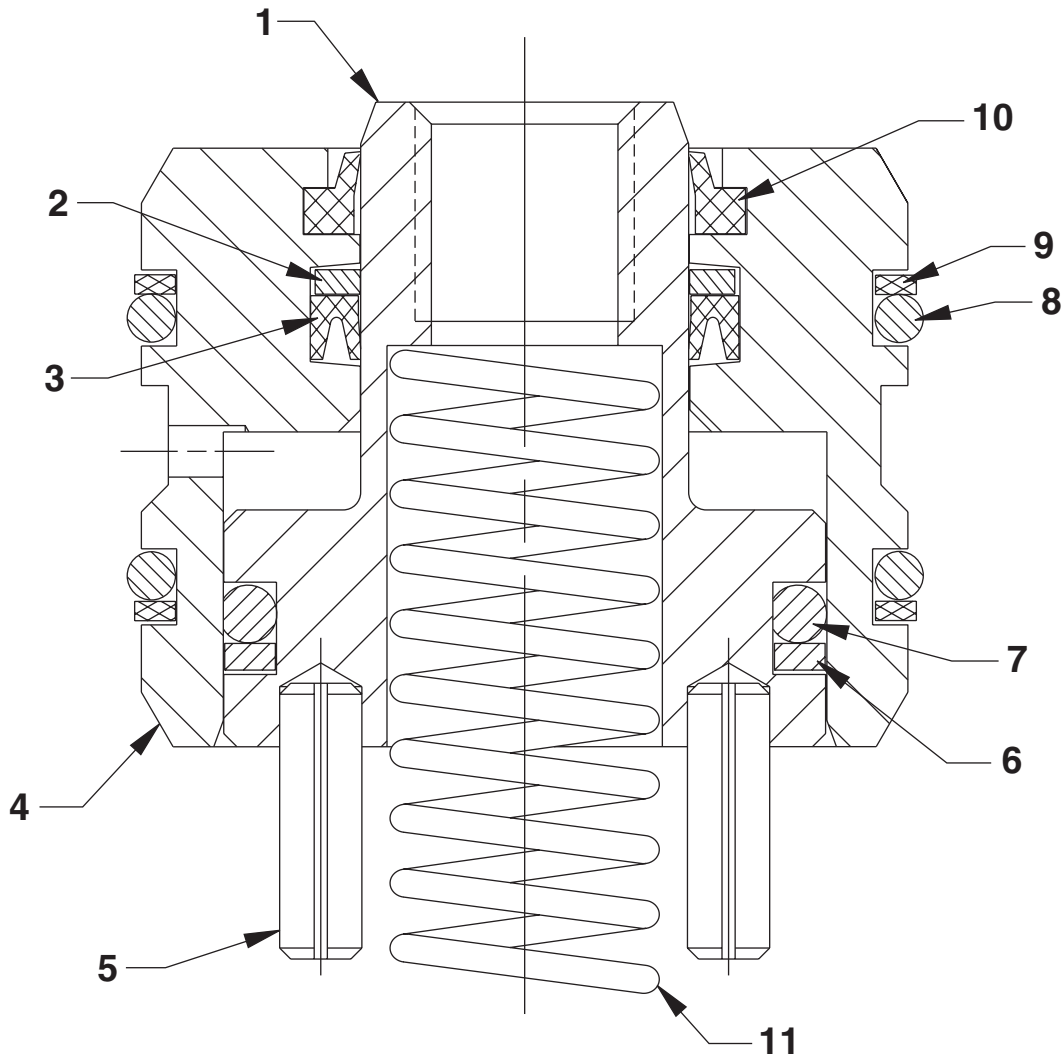


MODEL B
PULL CYLINDER



Item No.	Part No.	No. Req'd	Description
1	421890	1	Piston Rod (For 110076)
	421889	1	Piston Rod (For 110077)
2	*250479	1	Backup Washer
3	*250480	1	U-cup
4	421652	1	Cylinder Body
5	11916	2	Roll Pin
6	*19144	1	Backup Washer
7	*251636	1	O-ring
8	*10922	2	O-ring
9	*253540	2	Backup Washer
10	*250478	1	Rod Wiper
11	253576	1	Spring

Part numbers marked with an asterisk (*) are contained in Repair Kit No. 300995.

Refer to any operating instructions included with this product for detailed information about operation, testing, disassembly, reassembly, and preventive maintenance.

Items found in this parts list have been carefully tested and selected. **Therefore: Use only genuine Hytec replacement parts!**

Additional questions can be directed to our Technical Services Department.