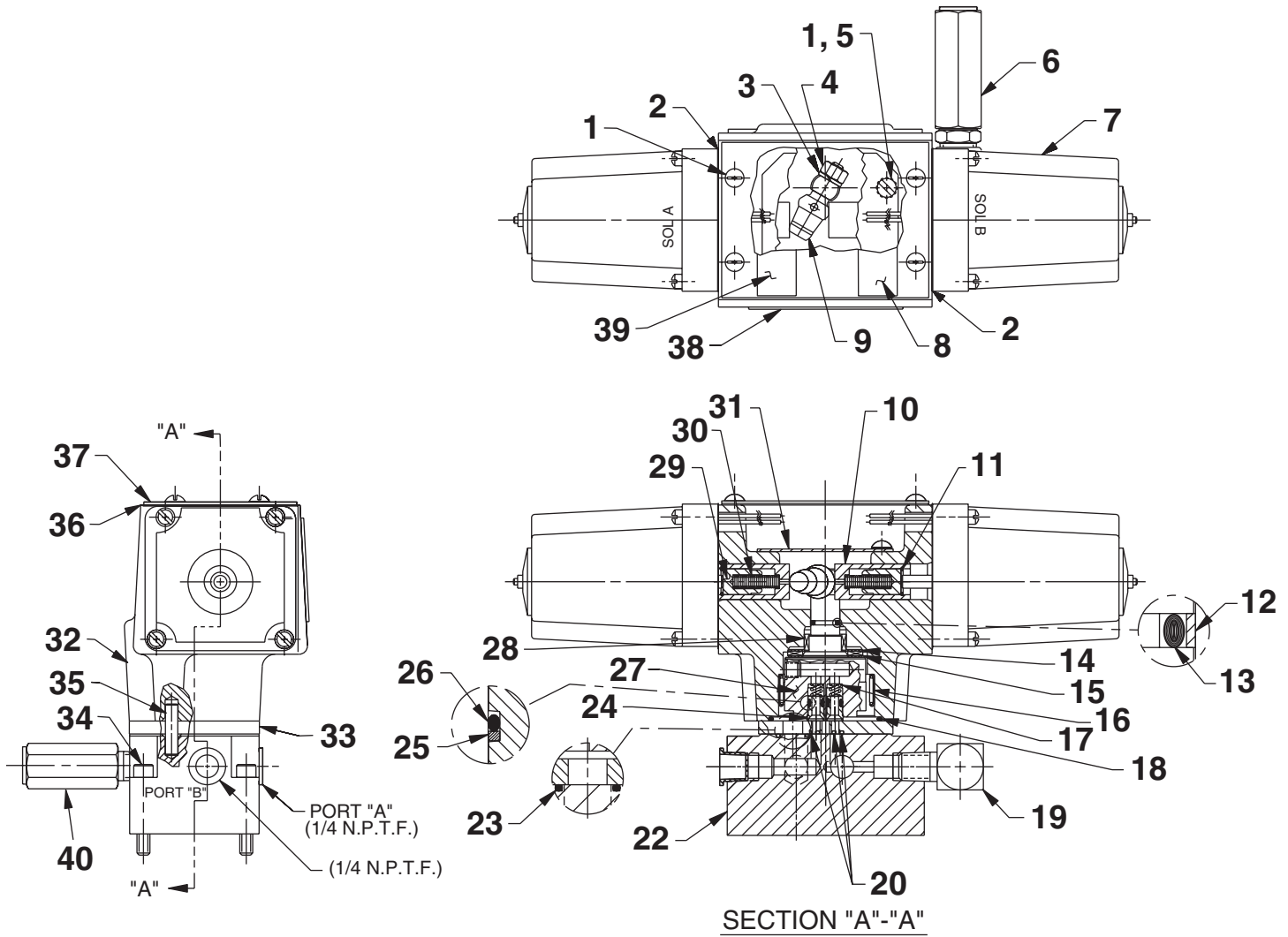


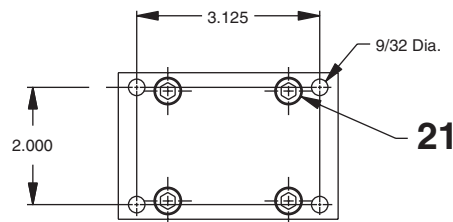
MODEL B (9573 & 9574); MODEL C (9612) TWO POSITION, 4-WAY, PUMP-MOUNTED, SOLENOID-OPERATED VALVE ASSEMBLY



Refer to any operating instructions included with the product for detailed information about operation, testing, disassembly, and preventive maintenance.

Items found in this parts list have been carefully tested and selected. **Therefore: Use only genuine Power Team replacement parts!**

Additional questions can be directed to our Technical Services Department.



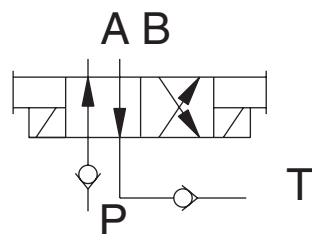
MOUNTING HOLE DIMENSIONS

Parts List, Form No. 108076, Back sheet 1 of 1

| Item No. | Part No. | No. Req'd | Description | Item No. | Part No. | No. Req'd | Description |
|----------|----------|-----------|--|----------|----------|-----------|---|
| 1 | 10164 | 5 | Machine Screw (#10-24 UNC x 3/8 Lg.) | 22 | 66213 | 1 | Subplate |
| 2 | 303980 | 2 | Stop Plate | 23 | *16164 | 1 | O-ring (.63 x .50 Urethane) |
| 3 | 10245 | 1 | Lockwasher (For 1/4" bolt) | | 11440 | 1 | O-ring (.63 x .50 Viton) |
| 4 | 15504 | 1 | Locknut | | 12399 | 1 | O-ring (.63 x .50 EPR) |
| 5 | 11108 | 1 | Lockwasher (#10 external tooth) | 24 | 303935 | 2 | Shear Seal |
| 6 | 21570 | 1 | Check Valve | 25 | *15174 | 2 | Backup Washer (5/16 x 3/16 x 3/64) |
| 7 | 304068 | 2 | Solenoid (115 V., 50/60 Hz; For 9612) | 26 | *10265 | 2 | O-ring (5/16 x 3/16 x 1/16; Nitrile) |
| | 304069 | 2 | Solenoid (230 V., 50/60 Hz; For 9574) | | 11437 | 2 | O-ring (5/16 x 3/16 x 1/16; Viton) |
| | 304070 | 2 | Solenoid (24 V., 50/60 Hz.; For 9573) | | 17714 | 2 | O-ring (5/16 x 3/16 x 1/16; EPR) |
| 8 | 209383 | 1 | Patent Decal | 27 | 52064 | 1 | Rotor |
| 9 | 304030 | 1 | Lever (Lubricate at assembly) | 28 | 208671 | 1 | Needle Roller Bearing |
| 10 | 303968 | 2 | Actuator Plunger (Lubricate at assembly) | 29 | 208590 | 2 | Spring Guide (Lubricate at assembly) |
| 11 | 11522 | 2 | Retaining Ring (For 1/2" hole) | 30 | 13960 | 2 | Compression Spring (1/4 O.D. x 1-1/2 Lg.) |
| 12 | *208672 | 1 | Glyd Ring | 31 | 303977 | 1 | Inner Cover |
| 13 | *10268 | 1 | O-ring (1/2 x 3/8 x 1/16; Nitrile) | 32 | 61077 | 1 | Valve Body |
| | 11439 | 1 | O-ring (1/2 x 3/8 x 1/16; Viton) | 33 | 421896 | 1 | Subplate |
| | 17716 | 1 | O-ring (1/2 x 3/8 x 1/16; EPR) | 34 | 10022 | 4 | Soc. Hd. Machine Screw (1/4-20 UNC x 1-1/2 Lg.; Note When using this valve on a PE30 Series pump order (4) 12001 Screws for mounting valve to pump.) |
| 14 | 15935 | 2 | Thrust Washer | 35 | 252309 | 2 | Spring Pin |
| 15 | 12188 | 1 | Roller Bearing | 36 | 303986 | 1 | Cover Gasket |
| 16 | 17505 | 1 | Needle Roller Bearing | 37 | 303976 | 1 | Cover |
| 17 | 15095 | 2 | Compression Spring (1/4 O.D. x 15/32 Lg.) | 38 | 352032 | 1 | Trade Name Decal (For 9612) |
| 18 | *214699 | 1 | O-ring (2-3/16 x 2" x 3/32; Urethane) | | 352033 | 1 | Trade Name Decal (For 9573) |
| | 19017 | 1 | O-ring (Viton) | | 352034 | 1 | Trade Name Decal (For 9574) |
| | 250400 | 1 | O-ring (EPR) | 39 | 421846 | 1 | Warning Decal |
| 19 | 16797 | 1 | 90° Elbow Fitting | 40 | 206330 | 1 | Check Valve |
| 20 | *15023 | 3 | O-ring (5/16 x 3/16 x 1/16; Urethane) | | | | |
| | 11437 | 3 | O-ring (5/16 x 3/16 x 1/16; Viton) | | | | |
| | 17714 | 3 | O-ring (5/16 x 3/16 x 1/16; EPR) | | | | |
| 21 | 252308 | 2 | Soc. Hd. Cap Screw (5/16-18 x 2-1/4 Lg.; Torque to 170/180 in. lbs.) | | | | |

Part numbers marked with an asterisk (*) are contained in Repair Kit No. 300332.

SPECIFICATIONS



UNIT SCHEMATIC

2-POSITION, 4-WAY
SOLENOID OPERATED
PUMP MOUNTED

RATED PRESSURE = 10,000 P.S.I.
RATED CASE PRESSURE = 1,000 P.S.I.
RATED FLOW = 5 G.P.M.

FUNCTION:

"A" POSITION: (SOLENOID "A")
HYD. PRESSURE TO "A" PORT,
"B" PORT TO TANK.

"B" POSITION: (SOLENOID "B")
HYD. PRESSURE TO "B" PORT,
"A" PORT TO TANK.

NOTE:

ALL PORTS OPEN TO TANK DURING
TRANSITION BETWEEN VALVE POSITIONS.

| | | | |
|-----------------|-----------------------|-----------------------|----------------------|
| ELECTRICAL: | 220 VAC. 50/60 HZ. | 115 VAC. 50/60 HZ. | 24 VAC. 50/60 HZ. |
| INRUSH CURRENT | 2.6/2.8 AMP. | 4.9/5.3 AMP. | 24/24.5 AMP. |
| HOLDING CURRENT | .25/.31 AMP. | .6/.6 AMP. | 2.8/2.9 AMP. |