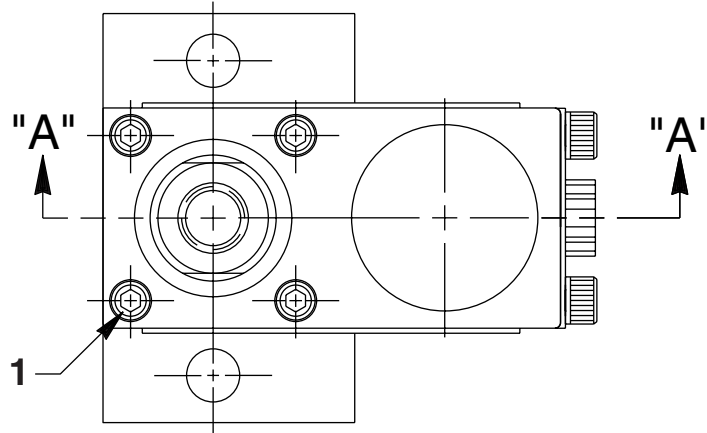
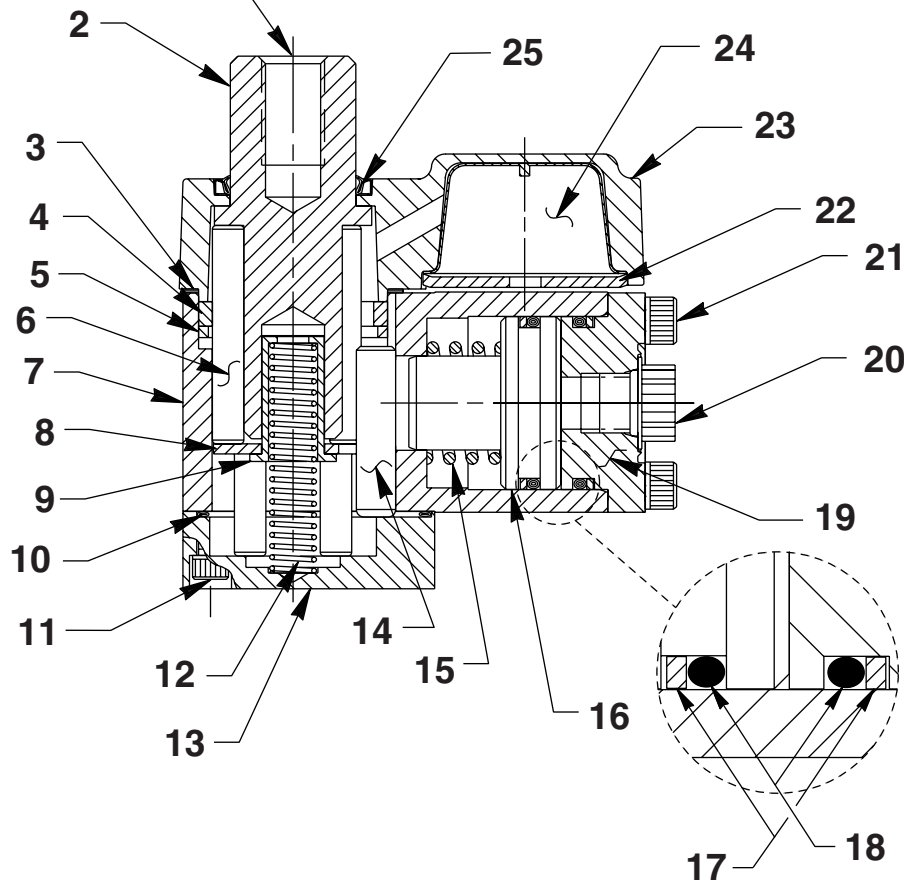


MODEL C
HYDRAULIC WORK SUPPORT



M12 x 1.5 6H
x .866 Min. Thd.



Parts List, Form No. 108114, Back sheet 1 of 1

Item No.	Part No.	No. Req'd	Description
1	14426	4	Screw, Socket HD (10-24 x 1; Torque to 60/70 in. lbs.)
2	351841	1	Shaft, Center
3	*307061	1	Gasket
4	250471	1	Washer, Spring (1.46 x 1.35)
5	201882	1	Retainer, Upper Pin
6	201881	1	Set, Dowel Pin (.25 x 1.73; NOTE: Must be replaced as a set of 12)
7	42334	1	Body, Work Support
8	201883	1	Retainer, Lower Pin
9	201877	1	Retainer, Plate
10	*14875	1	O-ring (1.62 x 1.50 Nitrile)
11	11152	4	Screw, Socket HD (10-24 x 5/8; Torque to 60/70 in. lbs.)
12	17796	1	Spring (.37 OD x 3.00 Lg. x .04 WS)
13	46654	1	Flange, Bottom
14	214463	1	Pin, Dowel (.31 x 1.38)
15	253059	1	Spring (1.00 OD x .67 Lg. x .12 WS)
16	253681	1	Plunger, Piston
17	*19177	2	Washer, Backup (1.38 x 1.19)
18	*10914	2	O-ring (1.38 x 1.19 Nitrile)
19	360007	1	Cap, End
20	253427	1	Cap, Plastic metric
21	10006	4	Screw, Socket HD (1/4-20 x 5/8; Torque to 115/125 in. lbs.)
22	-----	1	Plug, Expansion (Not a serviceable part; available only with Cap Assembly [Item #23])
23	250681	1	Cap Assembly (Includes a wiper [Item #25], a diaphragm, and expansion plug)
24	-----	1	Diaphragm, Rubber (Not a serviceable part; available only with Cap Assembly [Item #23])
25	*15087	1	Wiper, Rod (1.25 x 1.00 Nitrile; Included in Cap Assembly [Item #23]; NOTE: Assemble with Loctite gasket eliminator or equivalent.)
PARTS INCLUDED BUT NOT SHOWN			
	360005	2	Decal, Tradename/Specs. (Hytec)

Part numbers marked with an asterisk (*) are contained in Repair Kit No. 300641.

Refer to any operating instructions included with this product for detailed information about operation, testing, disassembly, reassembly, and preventive maintenance.

Items found in this parts list have been carefully tested and selected. **Therefore: Use only genuine Hytec replacement parts!**

Additional questions can be directed to our Technical Services Department.