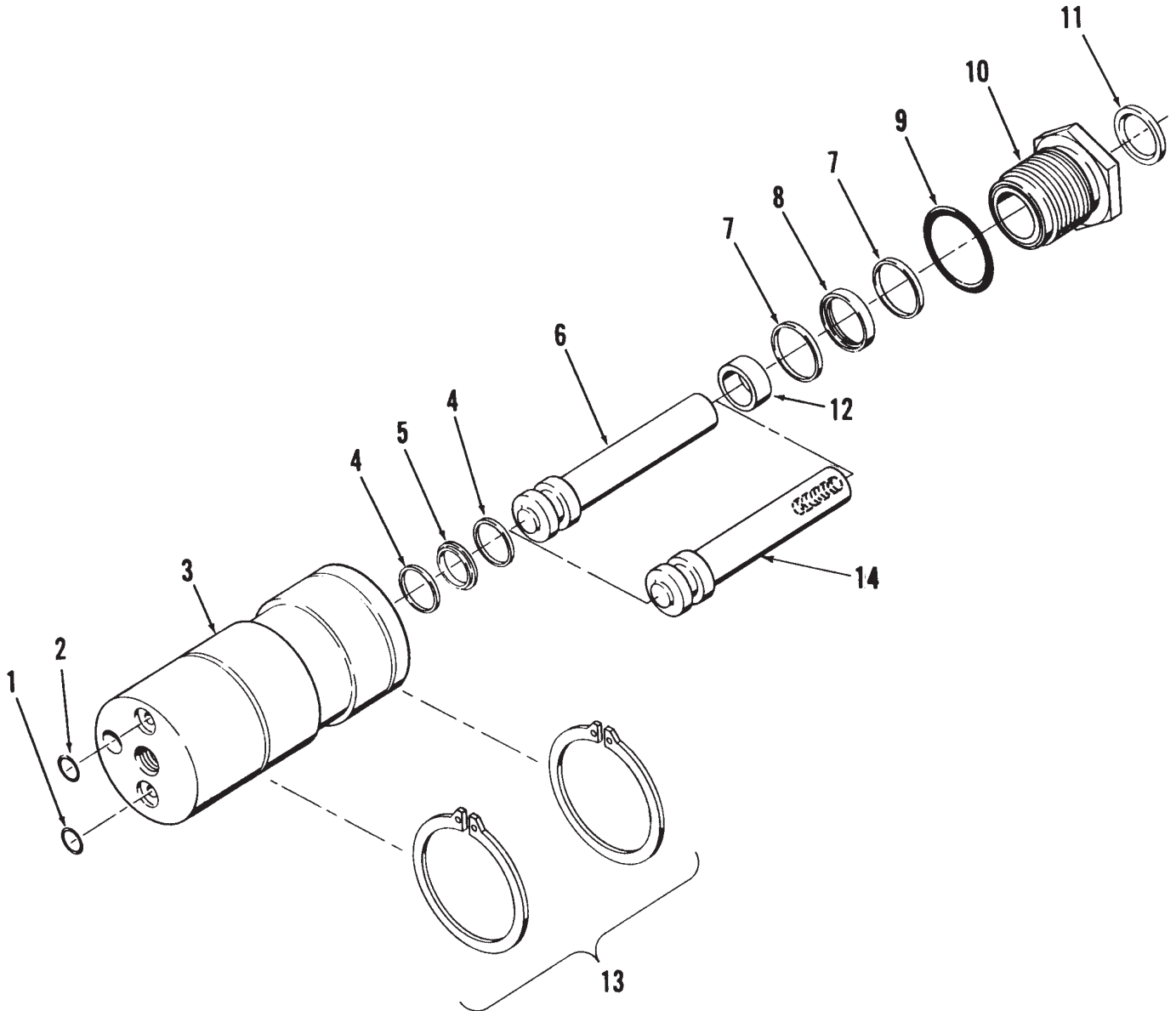


Parts List for:

100039	100043	100045	100049
100040	100043B	100046	100049B
100041	100044	100047	100050
100042	100044B	100048	100050B

**DOUBLE-ACTING
CYLINDRICAL BODY CYLINDERS**

Max. Operating Pressure: 5,000 PSI



Parts List, Form No. 15358, Back sheet 1 of 1

Item No.	1	2	3	4	5	6	7	8	9	10	11	12	13	14	Repair Kit	
Description	O-ring	O-ring	Cylinder	Backup Ring	T-ring	Piston (solid crowned)	Backup Ring	T-ring	O-ring	Retainer Nut	Rod Wiper	Insert	Retaining Ring	Piston (threaded)		
Qty. Req'd	1	1	1	2	1	1	2	1	1	1	1	1	2	1		
Model No.	100039	*10265	*10264	500060	*15152-2	*15152-1	500056	*15163-2	*15163-1	*10653	500494	*15090	500473	300084	-	200302
	100040	*10265	*10264	500061	*15152-2	*15152-1	500057	*15163-2	*15163-1	*10653	500494	*15090	500473	300084	-	200302
	100041	*10265	*10264	500062	*15152-2	*15152-1	500058	*15163-2	*15163-1	*10653	500494	*15090	500473	300084	-	200302
	100042	*10265	*10264	500067	*15153-2	15153-1	500063	*15145-2	*15145-1	*12745	500493	*15092	500484	300084	-	200303
	100043	*10265	*10264	500068	*15153-2	*15153-1	500064	*15145-2	*15145-1	*12745	500493	*15092	500484	300084	-	200303
	100043B	*10265	*10264	500068	*15153-2	*15153-1	-	*15145-2	*15145-1	*12745	500493	*15092	500484	300084	350261	200303
	100044	*10265	*10264	500069	*15153-2	*15153-1	500065	*15145-2	*15145-1	*12745	500493	*15092	500484	300084	-	202303
	100044B	*10265	*10264	500069	*15153-2	*15153-1	-	*15145-2	*15145-1	*12745	500493	*15092	500484	300084	350262	200303
	100045	*10265	*10264	500074	*15154-2	*15154-1	500070	*15164-2	*15164-1	*11495	500073	*15091	-	300085	-	200304
	100046	*10265	*10264	500075	*15154-2	*15154-1	500071	*15164-2	*15164-1	*11495	500073	*15091	-	300085	-	200304
	100047	*10265	*10264	500076	*15154-2	*15154-1	500072	*15164-2	*15164-1	*11495	500073	*15091	-	300085	-	200304
	100048	*10267	*10264	500081	*15155-2	*15155-1	500077	*15164-2	*15164-1	*14613	500080	*15091	-	300086	-	200305
	100049	*10267	*10264	500082	*15155-2	*15155-1	500078	*15164-2	*15164-1	*14613	500080	*15091	-	300086	-	200305
	100049B	*10267	*10264	500082	*15155-2	*15155-1	-	*15164-2	*15164-1	*14613	500080	*15091	-	300086	350263	200305
	100050	*10267	*10264	500083	*15155-2	*15155-1	500079	*15164-2	*15164-1	*14613	500080	*15091	-	300086	-	200305
	100050B	*10267	*10264	500083	*15155-2	*15155-1	-	*15164-2	*15164-1	*14613	500080	*15091	-	300086	350264	200305

Part numbers marked with an asterisk (*) are contained in Repair Kit.

NOTE: After the seals are installed, press fit the insert (Item #12) into the retainer nut (Item #10).

Refer to any operating instructions included with this product for detailed information about operation, testing, disassembly, reassembly, and preventive maintenance.

Items found in this parts list have been carefully tested and selected. **Therefore: Use only genuine Hytec replacement parts!**

Additional questions can be directed to our Technical Services Department.