



SPX Corporation
5885 11th Street
Rockford, IL 61109-3699 USA

Tech. Services: (800) 477-8326
Fax: (800) 765-8326
Order Entry: (800) 541-1418
Fax: (800) 288-7031

Internet Address:
<http://www.hytec.com>

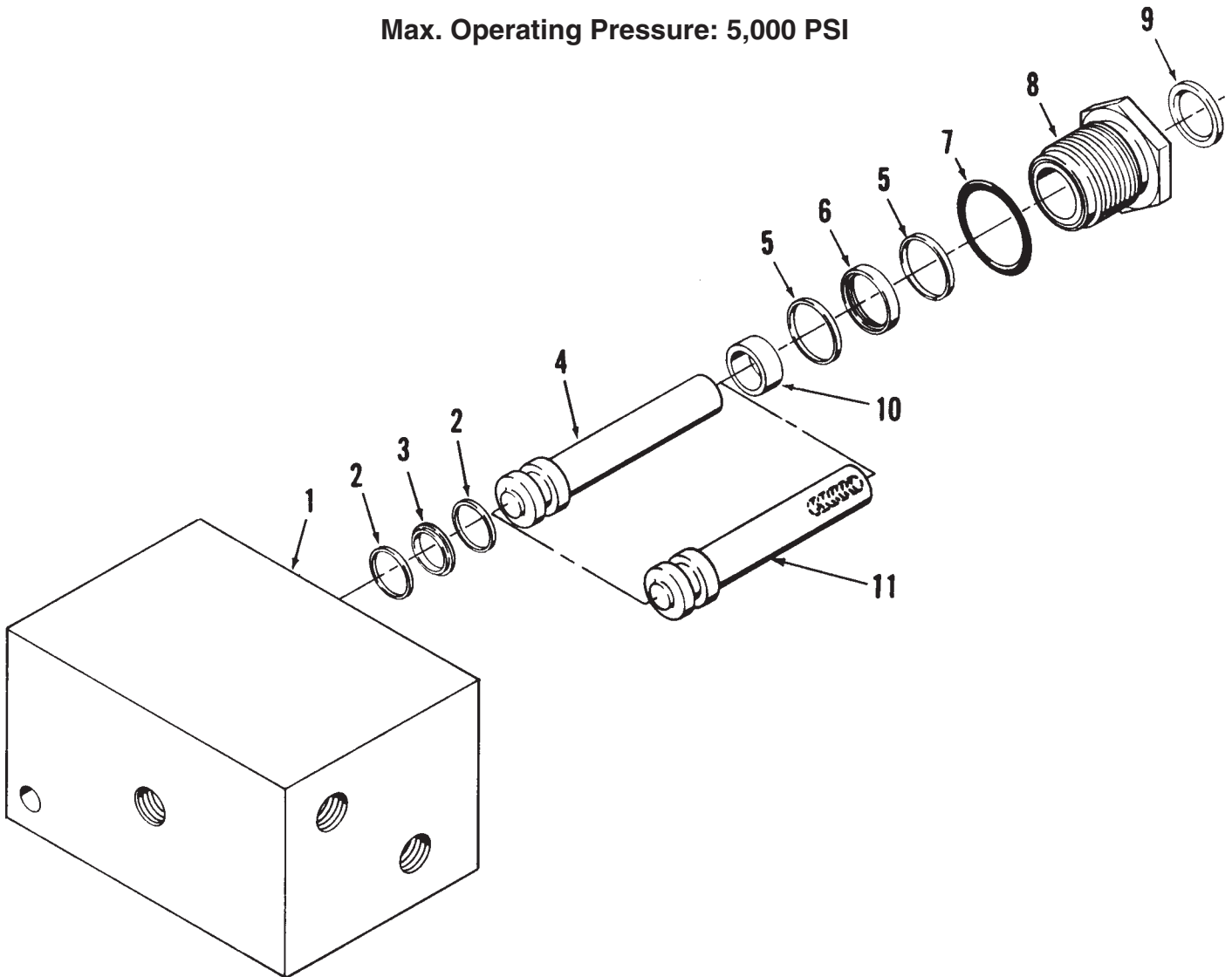
Form No. 15361

Parts List for:

100051	100055	100057	100061
100052	100055B	100058	100061B
100053	100056	100059	100062
100054	100056B	100060	100062B

DOUBLE-ACTING BLOCK STYLE CYLINDERS

Max. Operating Pressure: 5,000 PSI



Sheet No. 1 of 1

Issue Date: Rev. 2-15-91

Parts List, Form No. 15361, Back sheet 1 of 1

Item No.	1	2	3	4	5	6	7	8	9	10	11	Repair Kit	
Description	Cyl. Body	Backup Ring	T-ring	Piston (solid crowned)	Backup Ring	T-ring	O-ring	Retainer Nut	Rod Wiper	Insert	Piston (thread-ed)		
Qty. Req'd	1	2	1	1	2	1	1	1	1	1			
Model No.	100051	500084	*15152-2	*15152-1	500056	*15163-2	*15163-1	*10653	500494	*15090	500473	-	200306
	100052	500085	*15152-2	*15152-1	500057	*15163-2	*15163-1	*10653	500494	*15090	500473	-	200306
	100053	500086	*15152-2	*15152-1	500058	*15163-2	*15163-1	*10653	500494	*15090	500473	-	200306
	100054	500087	*15153-2	*15153-1	500063	*15145-2	*15145-1	*12745	500493	*15092	500484	-	200307
	100055	500088	*15153-2	*15153-1	500064	*15145-2	*15145-1	*12745	500493	*15092	500484	-	200307
	100055B	500088	*15153-2	*15153-1	-	*15145-2	*15145-1	*12745	500493	*15092	500484	350261	200307
	100056	500089	*15153-2	*15153-1	500065	*15145-2	*15145-1	*12745	500493	*15092	500484	-	200307
	100056B	500089	*15153-2	*15153-1	-	*15145-2	*15145-1	*12745	500493	*15092	500484	350262	200307
	100057	500090	*15154-2	*15154-1	500070	*15164-2	*15164-1	*11495	500073	*15091	-	-	200308
	100058	500091	*15154-2	*15154-1	500071	*15164-2	*15164-1	*11495	500073	*15091	-	-	200308
	100059	500092	*15154-2	*15154-1	500072	*15164-2	*15164-1	*11495	500073	*15091	-	-	200308
	100060	500093	*15155-2	*15155-1	500077	*15164-2	*15164-1	*14613	500080	*15091	-	-	200309
	100061	500094	*15155-2	*15155-1	500078	*15164-2	*15164-1	*14613	500080	*15091	-	-	200309
	100061B	500094	*15155-2	*15155-1	-	*15164-2	*15164-1	*14613	500080	*15091	-	350263	200309
	100062	500095	*15155-2	*15155-1	500079	*15164-2	*15164-1	*14613	500080	*15091	-	-	200309
100062B	500095	*15155-2	*15155-1	-	*15164-2	*15164-1	*14613	500080	*15091	-	350264	200309	

Part numbers marked with an asterisk (*) are contained in Repair Kits.

NOTE: After the seals are installed, press fit the insert (item #10) into the retainer nut (item #8).

Refer to any operating instructions included with this product for detailed information about operation, testing, disassembly, reassembly, and preventive maintenance.

Items found in this parts list have been carefully tested and selected. **Therefore: Use only genuine Hytec replacement parts!**

Additional questions can be directed to our Technical Services Department.