

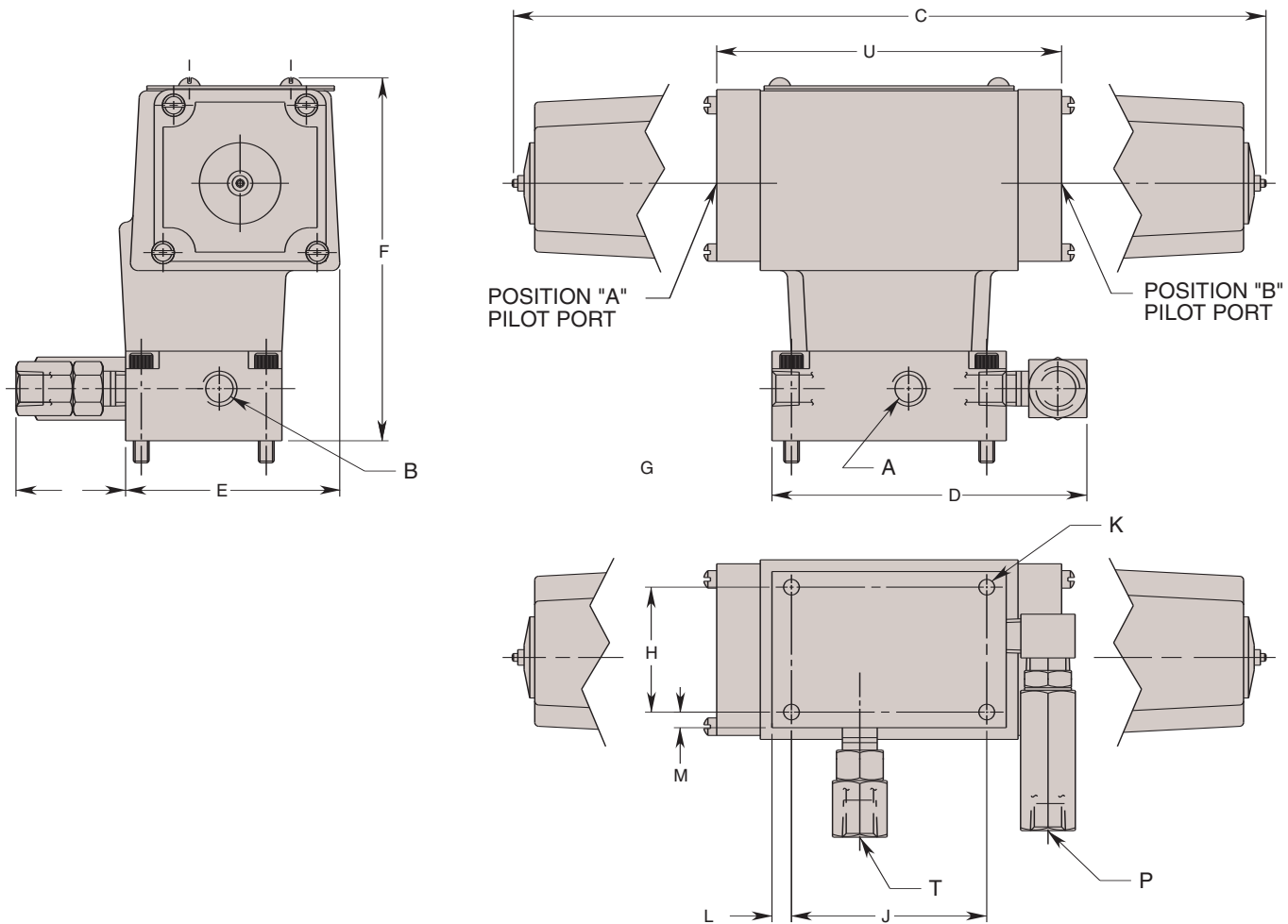
Designed for applications where the valve can be mounted remotely from the pump and where electrical operation is required.

Detented action needs only a momentary signal to shift valve positions. Electrical power interruption won't cause the valve to shift and release clamping pressure or pressurize the system unexpectedly.

**Features:**

- 3-way/4-way, 2-position, detented
- Electrically operated; continuous duty rated
- Remote mounted
- Single- or double-acting systems
- 5,000 psi max.; 1,000 psi max. return line pressure
- 5 gpm max.
- Includes mounting hardware: ¼-20 UNC X 1.5" cap screws (4)
- Tank port check valve included to prevent return line back pressure from actuating released single-acting components, or causing pressure fluctuations in double-acting systems.

Remote Mounted Control Valves



Cat. No.	Specifications	Dimensions (In Inches)																
		"A" Port	"B" Port	Position A Pilot Port	Position B Pilot Port	C	D	E	F	G	H	J	K Dia.	L	M	"P" Port	"T" Port	U
9612	115 VAC, 50/60 Hz 5.3 Amps inrush, .6 Amps holding																	
9573	24 VAC, 50/60 Hz 25.4 Amps inrush, 2.8 Amps holding	¼ NPTF	¼ NPTF	—	—	12.062	5.000	3.375	5.812	2.500	2.000	3.125	.281	.312	.250	¼ NPTF	¼ NPTF	—
9574	230 VAC, 50/60 Hz 2.8 Amps inrush, .31 Amps holding																	
9611	50 psi min./150 psi max. air pressure			¼ NPTF	¼ NPTF	—												6.125