

Pressure Reducing Control Valves



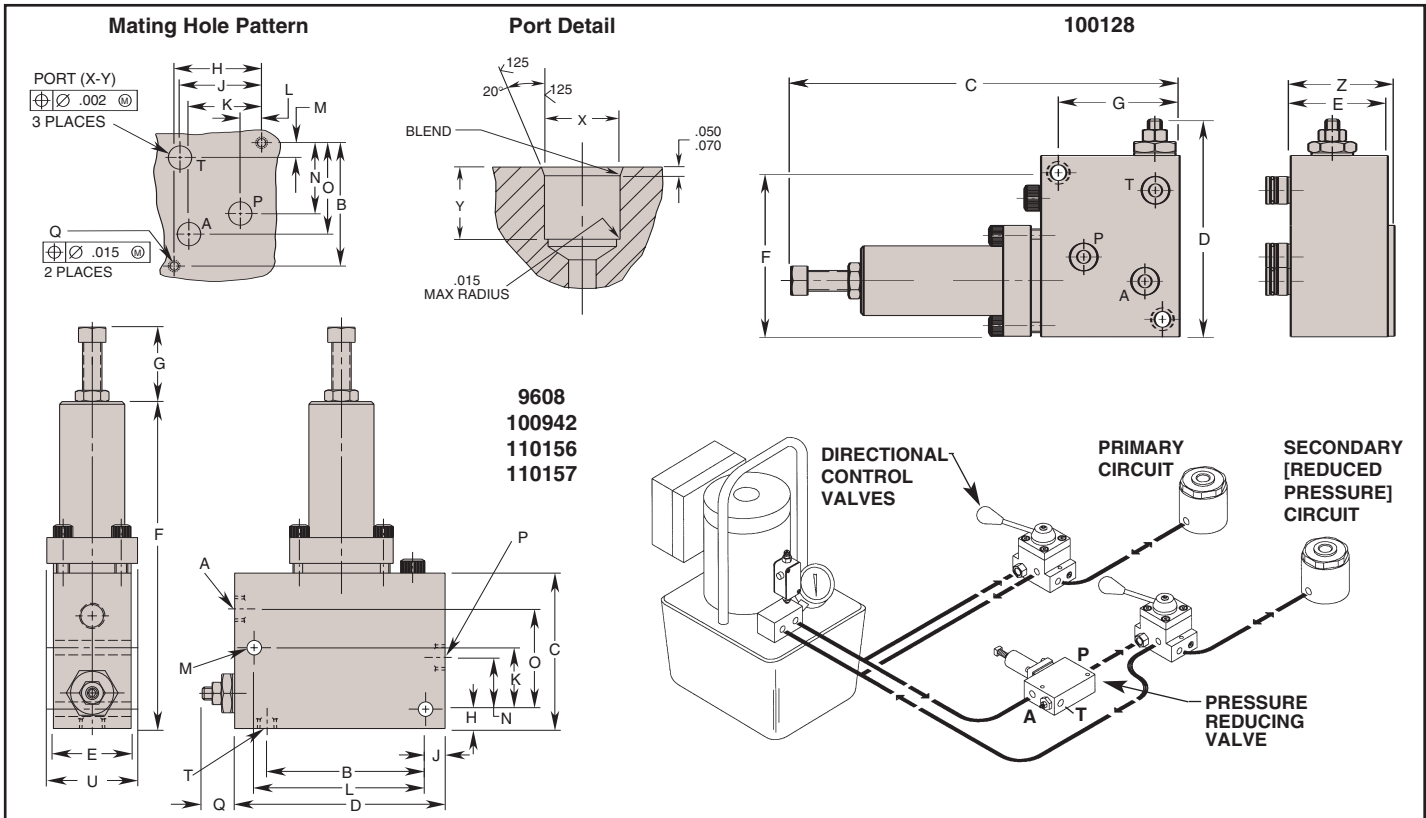
Pressure reducing valves are designed to reduce the maximum pressure in a portion of a hydraulic circuit: the valve is open from the inlet to the outlet until a pre-selected pressure is reached, at which point the valve closes to limit pressure in the secondary circuit. The need for a separate power source for each pressure level is eliminated.

Valves seats and poppets are precision ground, assuring virtually zero leakage and eliminating the need for a case drain line. The drain port (T) is used only during set up of the internal safety relief valve. This adjustable relief valve can be set to just above the reduced pressure setting so it will open only if contamination or another mal-

function prevents the pressure reducing valve from closing, causing the outlet pressure to rise above the relief valve setting. The drain port should never be plugged, although it is seldom permanently plumbed into the circuit.

Features:

- Valves are adjustable from 1,000 to 5,000 psi outlet pressure
- Internal check valve allows free flow in reverse direction
- Maximum flow rate at 5 gpm
- NPT, SAE or manifold mount
- Automatically reopens to replenish lost pressure



9608
100942
110156
110157

Cat. No.	Dimension (In Inches)																			
	A	B	C	D	E	F	G	H	J	K	L	M	N	O	P	Q Thread Size	T	X Dia.	Y	Z
100128	*	2.645	7.000	4.000	1.750	2.960	2.188	1.875	1.750	1.560	.456	.316	1.520	1.960	*	1/4-20 UNC	*	.500 .503	.515 .535	1.875

NOTE: *See Port Detail drawing for ports A, P and T.

Cat. No.	Dimensions (In Inches)																	
	"A" Port	B	C	D	E	F	G	H	J	K	L	M Dia.	N	O	"P" Port	Q	"T" Port	U
9608	1/4 NPTF														1/4 NPTF		1/8 NPTF	
100942	7/16-20UNF SAE-4	3.062	3.000	4.062	1.500	6.312	1.438	.375	.375	1.188	3.312	.281	1.000	1.938	7/16-20UNF SAE-4	.625	7/16-20UNF SAE-4	1.820
110156	7/16-20UNF SAE-4																	
110157	1/4 NPTF										3.321			2.000	1/4 NPTF**		1/4 NPTF**	

NOTE: **Include filters on P port and T port.