



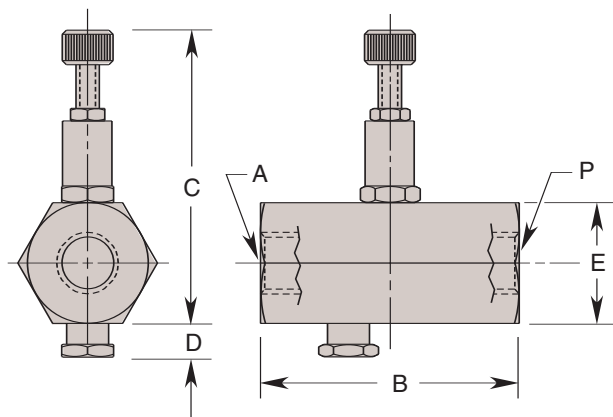
Hytec's **Needle Valves** are multiple-turn flow restrictor valves which provide finely adjustable flow control for components or circuits requiring reduced flow rates. They are also used in some non-critical sequencing applications where restriction in part of a circuit will tend to cause the actuators in the remainder of the circuit to operate first.

Needle valve No. 253605 restricts flow in both directions.

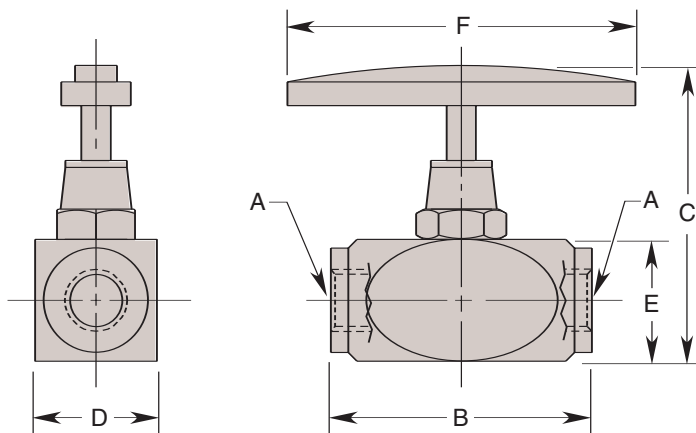
Features:

- Corrosion resistant construction
- 5,000 psi maximum

15068



253605



Cat. No.	Dimensions (In Inches)					
	A Port	B	C Max.	D	E Hex.	P Port
15068	1/4 NPTF	2.375	2.125	.312	.875	1/4 NPTF

Cat. No.	Dimensions (In Inches)					
	A Port	B	C Max.	D	E	F
253605	1/4 NPTF	1.875	2.781	.875	.875	2.500

Needle Valves