

This valve allows the hydraulic power source to be disconnected after the fixture has been clamped. As the system is pressurized, the valve automatically closes to maintain pressure without manual intervention, and a liquid filled gauge lets you constantly check system pressure.

To convert from conventional to manifold mounting, simply plug the outlet and remove the screw used to block flow to the base plate port. A bushing is included to complete the connection.

Also included is the male half of a push-to-connect flat face coupler (No. 100907) for easy connection and no-drip operation. Hytec pumps designed for use with this valve all

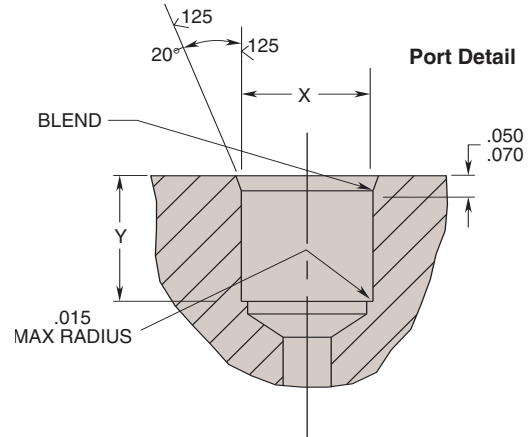
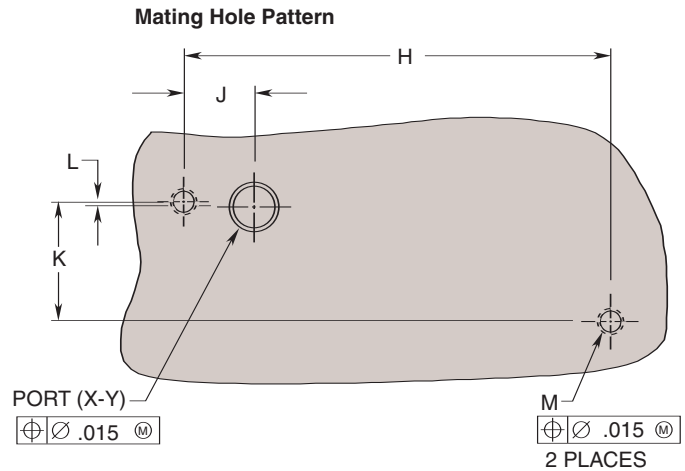
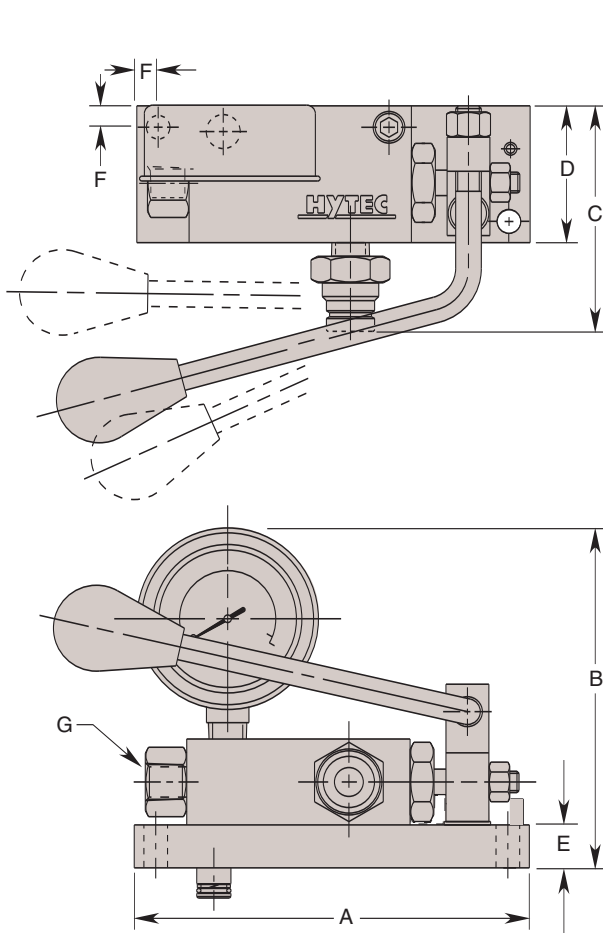
come with the mating female coupler half. Self-locking feature helps prevent release handle from actuating when coupler is not attached. For double-acting systems, use valve No. 100843 (see page 119).

Features:

- Soft seal, self-closing valve
- Coupler protective cap
- 5,000 psi max.
- Liquid filled gauge
- Manifold or conventional mounting
- Automatic locking release handle
- Single-acting

Note: Bi-directional filter No. 100857 is recommended, see page 130.

Single-Acting Palletized Systems



Note: Use PN 110050 on next page for new product design

Cat. No.	Dimension (In Inches)													
	A	B	C	D	E	F	G Outlet Port	H	J	K	L	M Thread Size	X Dia.	Y
100223	5.750	4.875	3.410	2.000	.625	.312	¼ NPTF	5.125	.951	1.375	.063	⅝-18UNC	.500 .503	.515 .535