

This valve allows the hydraulic pressure source to be disconnected from the pallet after the fixture has been clamped, allowing flexible machining center applications to realize the advantages of hydraulic workholding.

Hytec's newest Manual Pallet Valve has the features you should demand. Its smaller size takes up less fixture space. 10 Micron filters in both the inlet and outlet ports protect the valve from contaminants. Its self closing feature saves the operator time and effort. Versions are available for conventional plumbing or select the manifold mount model.

For an easy no-drip connection, our male half coupler (No. 100907) is included. Hytec pumps designed for use with this valve come

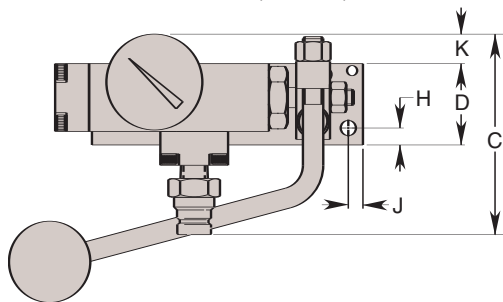
with the mating coupler half. Refer to pages 114-116 for these pumps. A self-locking feature helps prevent accidental release of the valve when the coupler is not connected.

Intended for single-acting systems only. See page 118 for double-acting system applications.

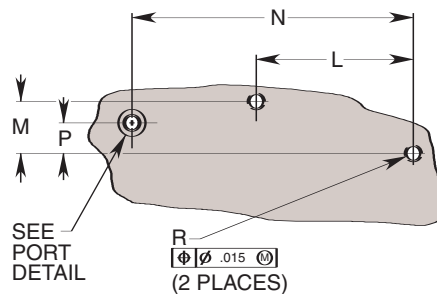
Features:

- Single-acting
- Minimal space requirements
- 5,000 psi maximum
- Inlet and outlet filtration
- Liquid filled pressure gauge
- Self-closing operation
- SAE, NPT and manifold mount versions
- Coupler protective cap

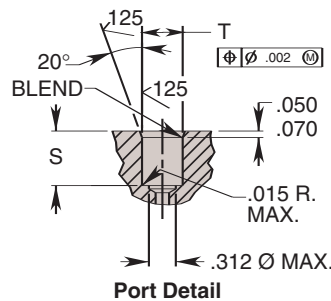
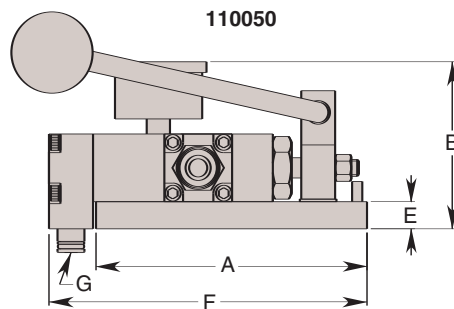
110050, 110051, 110052



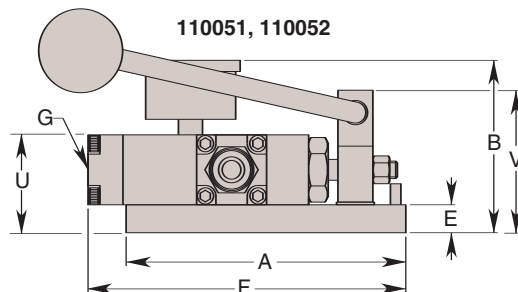
110050, 110051, 110052 Mating Hole Pattern



110050



110051, 110052



Cat. No.	Dimensions (In Inches)																		
	A	B	C	D	E	F	G Outlet Port	H	J	K	L	M	N	P	R	S	T Dia.	U	V
110050						5.868	Manifold Mount						5.191	.564		.485 .505	.500 .503	—	—
110051	5.000	3.083	3.700	1.500	.500	5.680	3/16-20 UNF SAE-4	.312	.270	.545	2.595	.960	—	—	1/2-20 UNC	—	—	1.75	2.55
110052							1/4 NPT												