



100843

This 4-way, 3-position valve has a center position that blocks the pressure (P) port and drains the two work (A and B) ports back to the tank (T) port. This configuration makes it ideal for an inexpensive double-acting manual pallet valve when used in conjunction with a Hytec pilot operated check valve and any constant pressure pump.

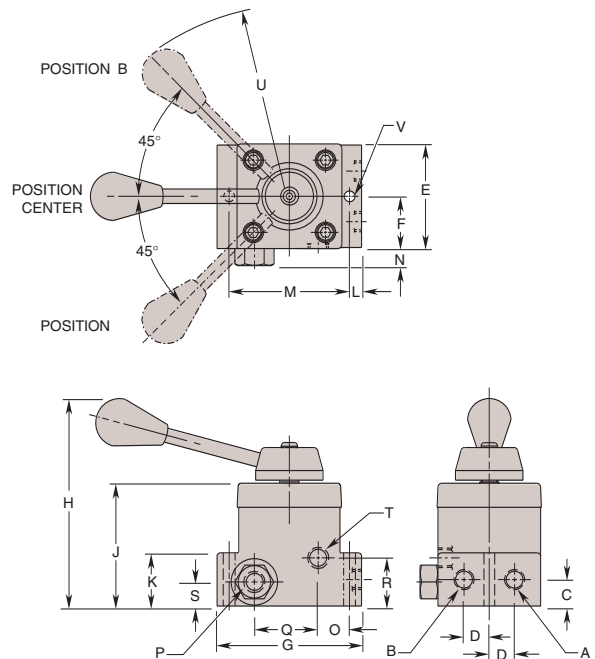
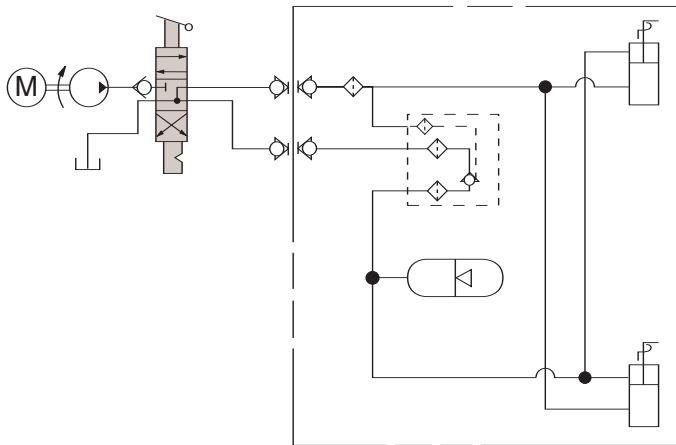
This system saves you money because the control valve is located at the load/unload station, not the pallet. This means you only purchase one control valve per load/unload station no matter how many pallets are involved. This system also frees up space on the pallet because the two couplers are the only components that must be accessible.

This valve is also ideal for service and troubleshooting of pallets used with the Hytec Automatic Pallet Coupling System. Use this valve to clamp and unclamp your fixtures off the machine.

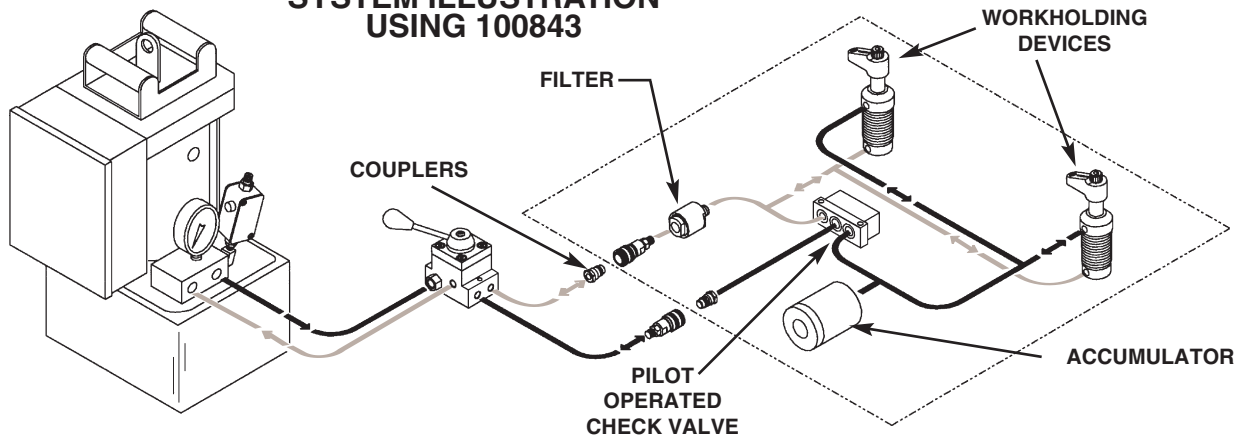
Features:

- 3-way/4-way, 3-position, detented
- Manually operated
- Remote mounted
- Handle swings 90° and may be repositioned in 22.5° intervals.
- 5,000 psi maximum
- 5 gpm
- 500 psi max. return line pressure
- Includes inlet check valve

SYSTEM SCHEMATIC USING 100843



SYSTEM ILLUSTRATION USING 100843



Cat. No.	Dimensions (In Inches)																				
	A Port	B Port	C	D	E	F	G	H	J	K	L	M	N	O	P Port	Q	R	S	T Port	U Rad.	V Dia.
100843	¼ NPTF	¼ NPTF	.687	.656	2.660	1.330	3.750	5.562	3.188	1.437	.312	3.125	.469	.812	¼ NPTF	1.656	1.250	.625	¼ NPTF	5.031	.281