



9614

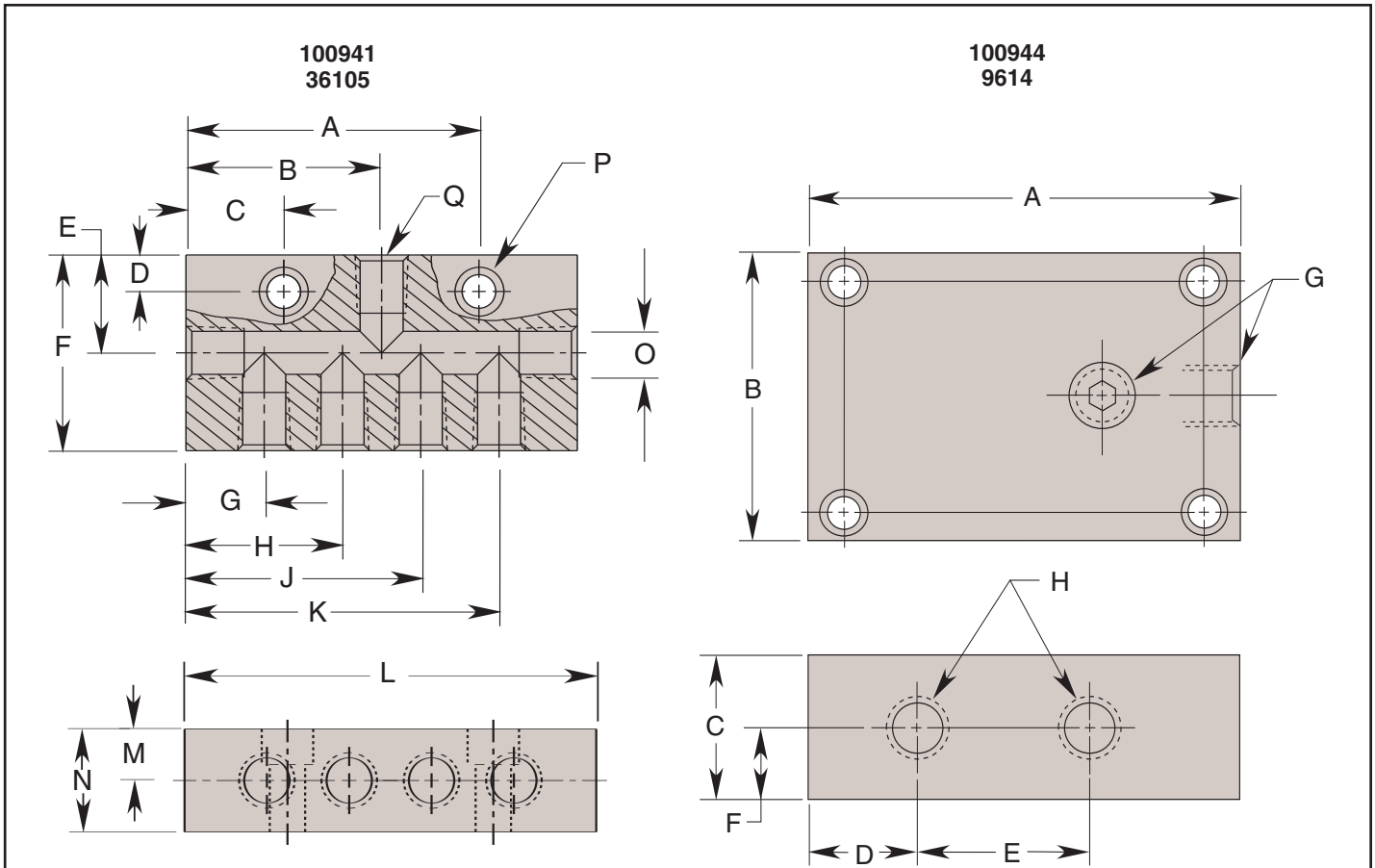
The 9614 manifold assembly comes as standard equipment on Hytec pumps No. 100186, 100280, 100190, 100200, 100174, 100220 and 100211. It provides the connection points for pressure and return lines as well as a gauge and/or pressure switch. These pumps are designed to have this manifold removed and directly replaced by our number 9504 pump-mounted control valve.

Use this manifold to convert these pumps back to manifold outlet, remote mounted valve applications. Includes manifold, reservoir return tube, mounting hardware and two 1/4" NPT plugs. The 100944 is available for making SAE O-ring connections.

Manifold 36105 is ideal for connecting

multiple actuators to a single pressure source. Used with conventional 1/4" NPT fittings, the seven ports are internally connected with large diameter passages to reduce restriction. The ports on any of the four sides can be plugged if not used. Two mounting holes are provided in the manifold to secure it to the fixture or machine tool. Since there are no ports in the top or bottom mounting faces, multiple manifolds can be stacked to save space.

Manifold 100941 shares the same features but provides SAE O-ring ports.



Cat. No.	Dimension (In Inches)							
	A	B	C	D	E	F	G Thread Size	H Thread Size
9614	3.750	2.500	1.250	.938	1.500	.750	1/4 NPTF	1/4 NPTF
100944								9/16-18 UNF SAE-6

Cat. No.	Dimensions (In Inches)															
	A	B	C	D	E	F	G	H	J	K	L	M	N	O Thread Size (6 places)	P Dia.	Q Thread Size
36105	3.000	2.000	1.000	.375	1.000	2.000	.800	1.600	2.400	3.200	4.000	.500	1.000	1/4 NPTF	.344	1/4 NPTF
100941														7/16-20 UNF SAE-4		9/16-18 UNF SAE-6