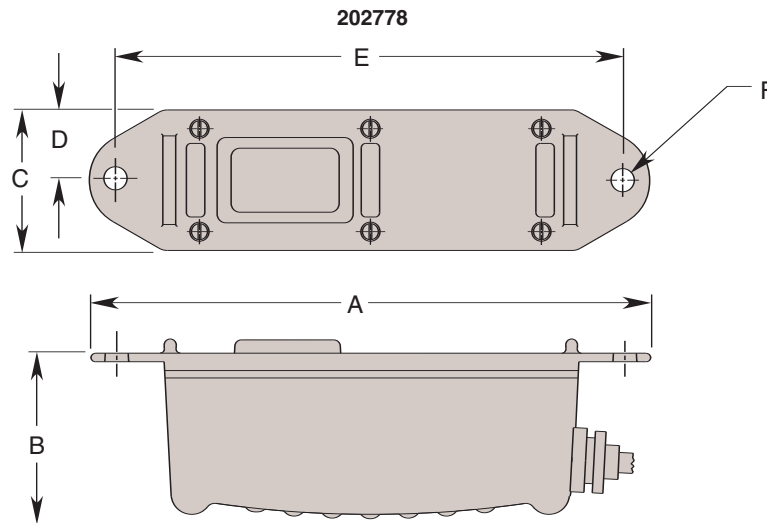




Remote Hand Switch No. 202778
 Ideal for use with the 9612 control valve.
 Includes 10 feet of 18 AWG 3-wire cable, and

a sealed, CSA approved, single-pole double-throw momentary rocker switch in a glass reinforced thermoplastic enclosure.

NOTE: The electric solenoid remote control requires an electrical impulse to activate or release the Booster-Pac clamp control valve. The Booster-Pac will not lose clamping pressure in the event electrical power is lost. If electric power is lost while in the clamp position, pressure can be released manually.



Cat. No.	Dimension (In Inches)					
	A	B	C	D	E	F Dia.
202778	7.630	2.460	1.930	.965	6.880	.315