



### Fluid Level/Temperature Gauge No. 350431

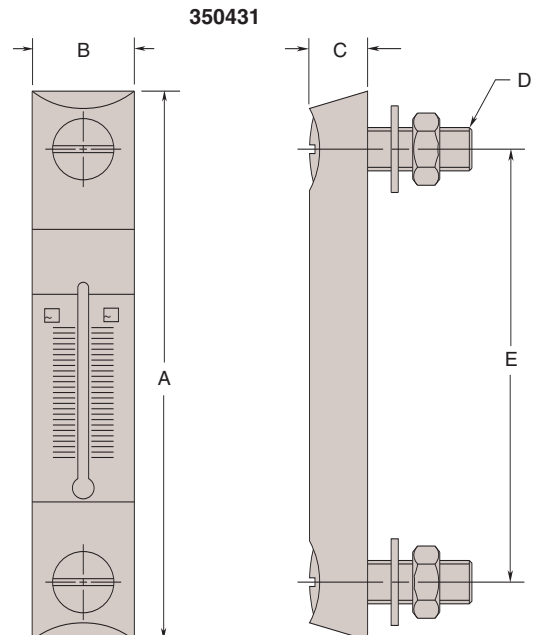
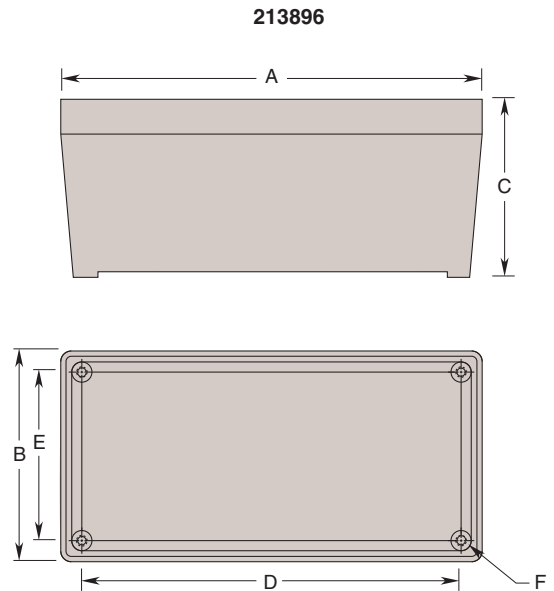
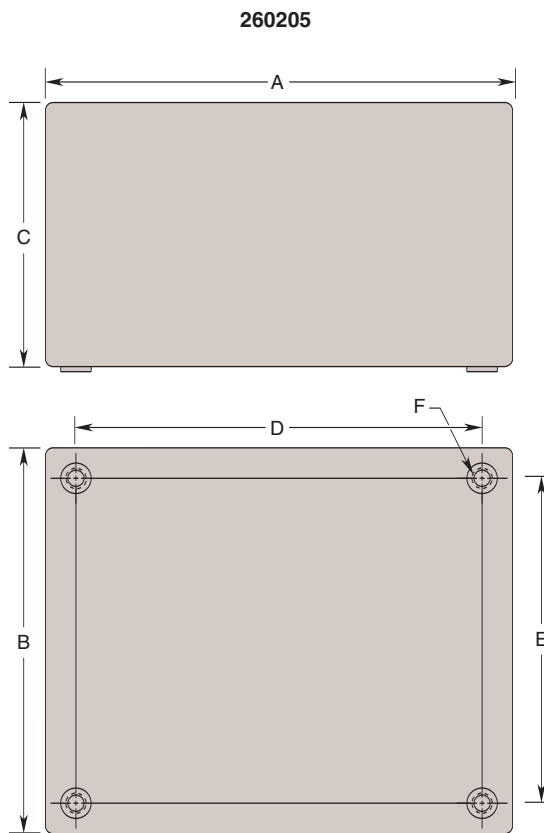
This combination fluid level/temperature gauge allows you to visually check the level of the hydraulic fluid in your Hytec pump without opening the fill port. Its large 1 1/4" wide, 6 3/8" high viewing area lets you see the fluid level from a distance. Built into the gauge is a dual scale thermometer that reads 32–212°F and 0–100°C. To mount, simply drill two 1/2" diameter holes in the reservoir and attach the gauge. This gauge is designed for use on pumps with 2.5 gal. and 5.7 gal. metal reservoirs as well as 2 gal. polyethylene reservoirs.

### Reservoir Conversion Kit No. 260205

Includes 2.5 gallon (375 cu. in. usable) metal reservoir with a gasket and all the hardware needed to replace the plastic reservoir on pump Nos. 100178, 100179, 100178-230, 100179-230, 100922 and 100200.

### Reservoir Conversion Kit No. 213896

Includes 107 cu. in. (102 cu. in. usable) metal reservoir, plus gasket and fasteners needed to replace the plastic reservoir on pump Nos. 100280, 100190, 100180, 58219, 100921, 100918, 100174, 100191 and 100920.



Cat. No.	Dimension (In Inches)						
	A	B	C	D	E	F Thread	
						Size	Depth
260205	11.500	9.500	6.585	10.000	8.000	*.212 dia.	.600
213896	10.000	5.000	4.225	9.000	4.000	1/2-20 UNF	.600

NOTE: \* Use 1/4-20 UNC self-tapping screw.

Cat. No.	Dimension (In Inches)				
	A	B	C	D Thread Size	E
350431	6.340	1.180	.670	M12 x 1.75	5.000