

# Threaded Body Cylinders



Threaded Body Cylinders



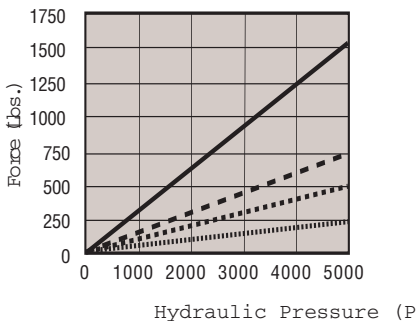
Our most versatile cylinder style, these threaded body cylinders are single-acting, spring-return, and can be outfitted for a wide variety of applications. Available in either Unified National Coarse or Fine threads, they're ideal for manifold mounting, but can also be used for external plumbing connections when fitted with a feeder cap. Mounting brackets and jam nuts can be specified for added mounting versatility. The threaded

pistons will accept optional Hytec pointed or crowned threaded inserts, flat faced toggle pads, or you can custom design your own attachments. These cylinders should always be used with a threaded insert to prevent damage to the workpiece and the cylinder.

**Features:**

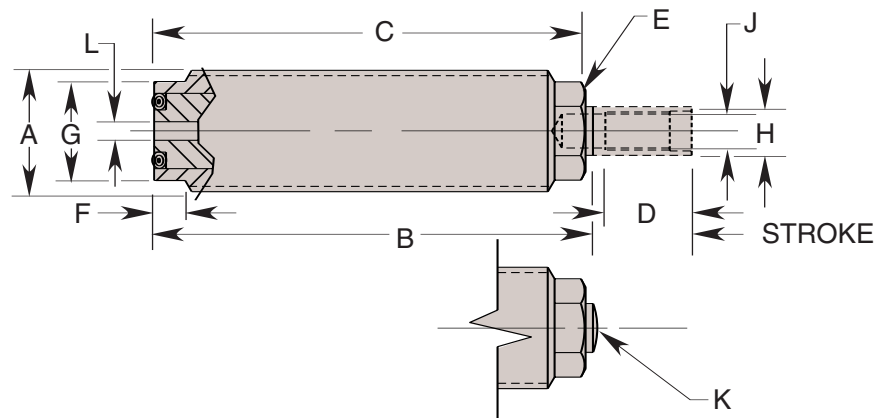
- Manifold or conventional mounting
- Heavy duty return springs
- Optional jam nuts, feeder caps and mounting brackets
- Threaded, plated piston rod
- Fine or coarse threads
- "O" ring seal included
- 100% corrosion resistant
- Single-acting
- Power-Tech treated body for long wear and corrosion resistance

**Note:** See page 23 for threaded inserts.



Performance

- ..... Cylinder Nos. 100064, 100065, 100156, 100157
- Cylinder Nos. 100139, 100148, 100159, 100166
- . - . - Cylinder Nos. 100167, 100153, 100149, 100171
- Cylinder Nos. 100172, 100173



Fine Thd. Body Cyls.		Coarse Thd. Body Cyls.		Specifications				Dimensions (In Inches)									
Cat. No.	A Thread Size	Cat. No.	A Thread Size	*Force (Lbs.)	Stroke (In.)	Eff. Area (Sq. in.)	Oil Cap. (Cu. in.)	B	C	D Thd. Depth	E Hex.	F	G Dia.	H Dia.	J Thread Size	K Radius	L Dia.
100156	1/2-20 UNF	100064	1/2-13 UNC	245	.250	.049	.012	1.636	1.568	—	.312	.156	.399	.156	—	.375	.062
100157		100065			.500			2.042	1.974								
100159	3/8-18 UNF	100139	3/8-11 UNC	550	.250	.110	.027	1.655	1.625	.438	.438	.187	.502	.250	10-32 UNF	—	.094
100166		100148			.500			2.225	2.187								
100167	3/8-16 UNF	100149	3/8-10 UNC	750	.250	.150	.075	1.756	1.718	.531	.531	.187	.615	.300	—	—	.125
100171		100153			1.000			2.475	2.437								
100172	1-12 UNF	—	—	1535	.500	.307	.153	2.005	1.937	.500	.750	.187	.875	.500	5/16-24 UNF	—	.187
100173		—			1.000			2.629	2.562								

NOTE: \* Based on 5,000 psi max. operating pressure.