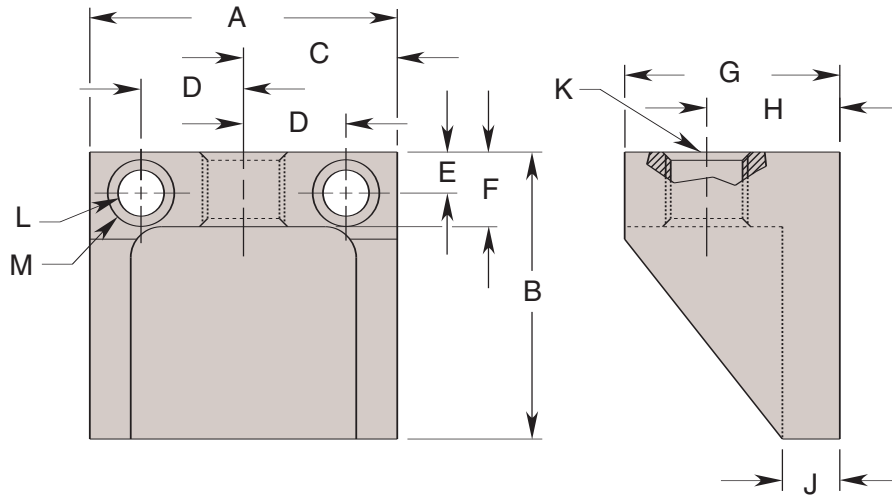
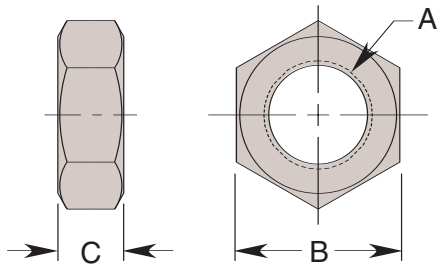
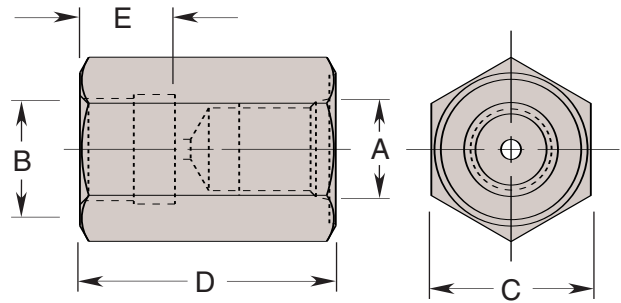


**Foot Mounting Bracket**

**Jam Nut**

**Feeder Cap**

**FOOT MOUNTING BRACKETS**

Cat. No.	Dimensions (In Inches)												
	A	B	C	D	E	F	G	H	J	K	L	M	
										Thread Size	Dia.	Dia.	Depth
400000	1.875	1.750	.938	.625	.250	.455	1.312	.812	.350	½-13 UNC	.281	.410	.218
400001	2.000	1.875	1.000		.312	.562	1.625	.938	.312	¾-11 UNC	.359	.504	.406
400002	2.000	2.000		.656	.344	.687	1.687	1.062	.375	¾-10 UNC	.422	.598	.343
400003	2.500	2.500	1.250	.812	.375	.750	2.000	1.182		1-12 UNF			

**JAM NUTS**

Cat. No.	Dimensions (In Inches)		
	A	B	C
	Thread Size	Hex.	
10391	½-13UNC	.750	.312
10390	½-20UNF	.750	.312
10395	⅝-11UNC	.938	.375
10394	⅝-18UNF	.938	.375
10397	¾-10UNC	1.125	.422
10396	¾-16UNF	1.125	.422
201029	1-12UNF	1.500	.562
216207	1 ⅝-16UN	2.000	.719

**FEEDER CAPS**

SAE Ports		NPT Ports		Dimensions (In Inches)			
Cat. No.	A Thread Size	Cat. No.	A Thread Size	B Thread Size	C Hex.	D	E
100927	¾-20UNF SAE-4	500097	½-NTPF	½-20UNF	0.750	1.200	0.437
100928		500100		½-13UNC			
100929		500098	¼-NTPF	⅝-18UNF	0.875	1.390	0.500
100930		500101		⅝-11UNC			
100931		500099		¾-16UNF			
100932		500102	¾-10UNC	1.000	1.390	0.500	
100933		500103	1-12UNF				1.250

NOTE: 5,000 psi max. operating pressure.