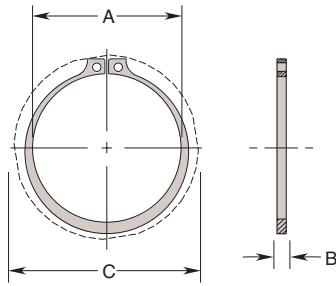
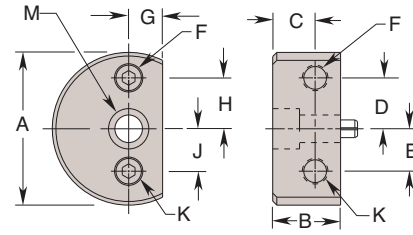
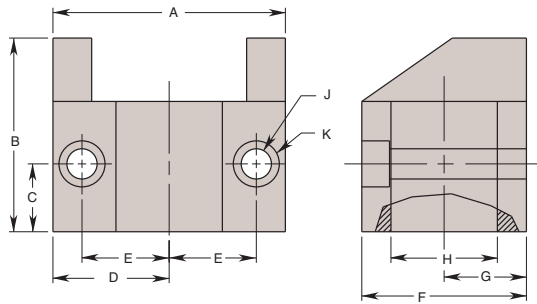
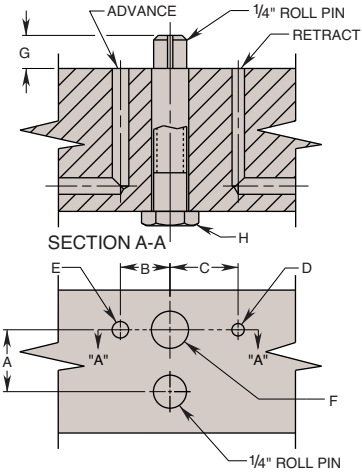


Snap Ring

Feeder Cap

Foot Mounting Bracket

Manifold Mounting Information


FOOT MOUNTING BRACKET												
Cat. No.	Specifications	Dimensions (In Inches)										
	Used with Cat. No.	A	B	C	D	E	F	G	H Dia.	J Dia.	K	
											Dia.	Depth
400013	100043B 100044B	3.000	2.500	.875	1.500	1.125	2.125	1.062	1.375	.406	.600	.353
400015	100049B 100050B	4.500	3.000	1.075	2.250	1.750	3.000	1.500	2.250	.547	.812	.562

NOTE: 5,000 psi max. operating pressure

FEEDER CAPS												
Cat. No.	Dimensions (In Inches)											
	Used with Cat. No.	A Dia.	B	C	D	E	F Retract Port	G	H	J	K Advance Port	M Dia.
100163	100043B 100044B	1.438	1.000	.625	.375	.375	1/8 NPTF	.312	.438	.438	1/8 NPTF	.281
100165	100049B 100050B	2.250			.750	.625		.500	.750	.625		.406

NOTE: 5,000 psi max. operating pressure. Mounting Screw included.

*SNAP RINGS				
Cat. No.	Dimensions (In Inches)			
	Used With Cat. No.	A Nominal Shaft Dia.	B	C Clearance Dia.
300084	100043B 100044B	1.375	.050	1.800
300086	100049B 100050B	2.250	.078	3.180

NOTE: * Two each included with each cylinder.

MANIFOLD MOUNTING INFORMATION								
Dimensions (In Inches)								
Used with Cat. No.	A	B	C	D Dia.	E Dia.	F Dia.	G	H Mounting Screw
100043B 100044B	.468	.375	.515	.094	.125	.281	.250	†1/4-20 UNC
100049B 100050B	.812	.531	.906		.250	.406		††3/8-16 UNC

 NOTE: † .312 min. cylinder thread depth.
 †† .437 min. cylinder thread depth.