



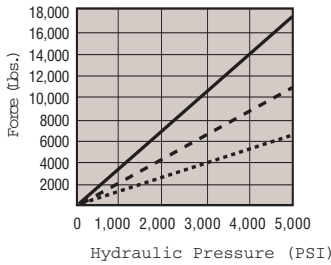
Our center-hole cylinders can be used as single- or double-acting workholding devices.

Mounting can be done in any of several ways: use the thru-holes for mounting from the top, use the tapped holes in the bottom for mounting from underneath, or secure with a single stud or rod through the center. The pistons are threaded to accept the optional crowned threaded inserts, used when the cylinder contacts the work directly.

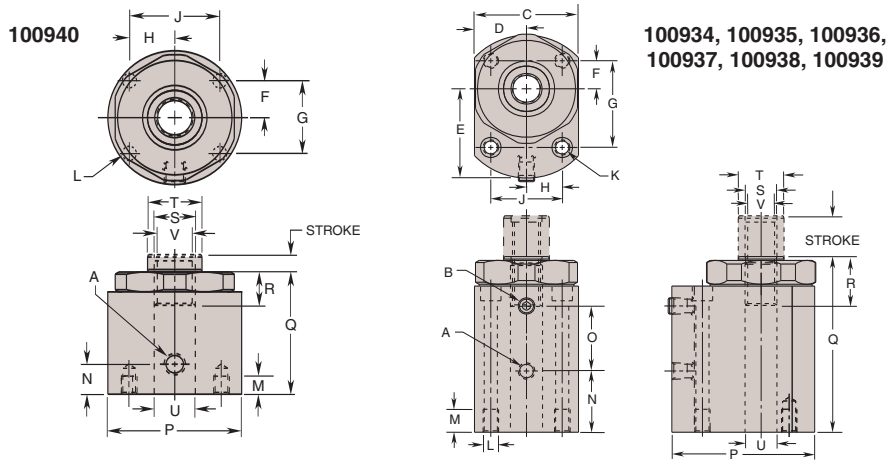
Features:

- Single- or double-acting
- Multiple mounting options
- Heavy-duty return spring

- Converts manual clamping to hydraulics
- Plated, threaded piston rods



Performance
 Cylinder Nos. 100934, 100935
 - - - - - Cylinder Nos. 100136, 100137, 100938, 100939
 ————— Cylinder Nos. 100940



Cat. No.	A Adv. Port Thd. Size	B Ret. Port Thd. Size	Specifications			
			* Force (Lbs.)	Stroke (in.)	Extend Eff. Area (Sq. In.)	Retract Oil Cap. (Cu. In.)
100934	7/16-20UNF SAE-4	7/16-20UNF SAE-4	6,630	.500	1.326	.663
100935				1.000		1.326
100936			10,735	.500	2.147	1.074
100937				1.000		2.147
100938				.500		1.074
100939				1.000		2.147
100940	—	—	17,120	.375	** 3.424	** 1.284

Cat. No.	Dimensions (In Inches)									
	C	D	E	F	G	H	J	K Dia.	L Thd. Size	M Thd. Depth
100934	2.000	1.000	1.750	.562	1.812	.625	1.250	.322	3/8-16UNC	.562
100935										
100936										
100937	2.550	1.275	2.188	.688	2.125	.875	1.750			
100938										
100939										
100940	—	—	—	.972	1.944	.972	1.944	—	1/4-20UNC	.312

Cat. No.	Dimensions (In Inches)									
	N	O	P Dia.	Q	R Piston Thd.	S Thd. Size	T Dia.	U Dia.	V Inside Dia.	
100934	.938	1.000	2.812	3.203	1.000	5/8-11UNC	.750	.516	.547	
100935	1.438	1.500		4.203						
100936	1.000	1.094	3.500	3.304	1.188	3/4-10UNC	1.125	.781	.656	
100937	1.500	1.594		4.304						
100938	1.000	1.094		3.304	1.375	7/8-9UNC		.906	.781	
100939	1.500	1.594		4.304						
100940	.756	—	3.370	3.140	1.275	1-8UNC	1.375	1.031	.875	

NOTE: * Based on 5,000 psi max. operating pressure ** Extend Only