

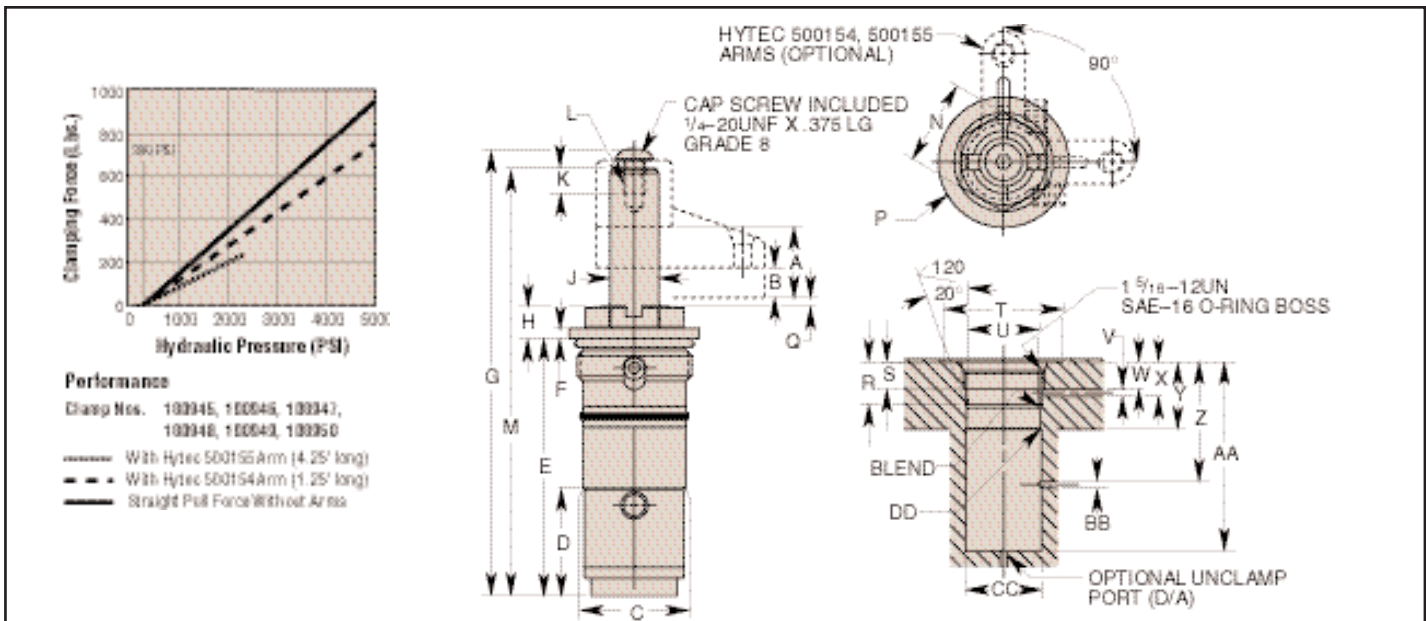
Swing/Pull Clamps - Cartridge Style - 750 lbs.



Features:

- Small footprint minimizes acreage on fixture
- Low profile reduces overall fixture height
- Manifold mounting eliminates exposed plumbing, reducing chip build-up on fixture
- "Live Roller" design provides industry's most reliable swing/pull mechanism
 - Piston/Cam combination provides solid path for clamping action
 - Typical ball and groove mechanism has higher potential for clogging and for damage from mis-aligned work pieces
- Simple cavity design enables faster fixture building
- Available in single and double acting versions

- Special rod wiper seal protects internal clamp components
- Unique drainage system channels contaminants away from clamp
- Corrosion resistant construction
- Heat treated, chrome plated piston rod
- Manifold mountable
- Unique "Live Roller" swing mechanism for increased service life
- Power-Tech™ treated body and hardened cam for long wear and corrosion resistance
- Single and double-acting models are dimensionally interchangeable.
- Straight pull capacity 950 lbs. at 5,000 psi maximum



Cat. No.	Oper.	Specifications						Dimensions (In Inches)									
		Swing Direction	*Force (Lbs.)	Eff. Area (Sq. In.)		Oil Cap. (Cu. In.)		A Total Stroke	B Clamping Stroke	C Dia.	D	E	F	G	H	†J Dia.	
				Clamp	Unclamp	Clamp	Unclamp										
100951	Single-Acting	Left Hand (Counter Clockwise)	750	.195	.160	.818	.345	1.185	1.245	2.956	.125	5.139	.371	.560			
100952		Right Hand (Clockwise)															
100953		Straight Pull															
100957	Double-Acting	Left Hand (Counter Clockwise)													.441	.360	
100958		Right Hand (Clockwise)															
100959		Straight Pull															

Cat. No.	Dimensions (In Inches)																			
	K Min. Thread	L Thread Size	M	N Hex.	P Dia.	Q	R	S Min. Thread	T Dia. Min.	U Dia.	V Clamp Port Dia. Min.	W Min.	X Max.	Y Min.	Z Min.	AA Min.	BB Unclamp Port Dia. Min.	CC Dia. Min.	DD Chamfer Max.	
100951	.275	1/4-20UNC	4.912	1.000	1.500	.108	.665	.430	1.560	1.187	.125	.430	.604	1.063	-	3.044	.125	1.187	.020	
100952																				†Vent
100953																				
100957																				
100958																				
100959																				

Note: * With 1.25" long arm at 5,000 psi max. operating pressure.
 † Do not pressurize - single-acting only. Cavity must be vented.
 †† See page 59 for custom arm mounting.
 Internal cam may be removed for an unguided straight pull. See operating instructions for additional port details.
 See page 58 for maximum operating speeds.