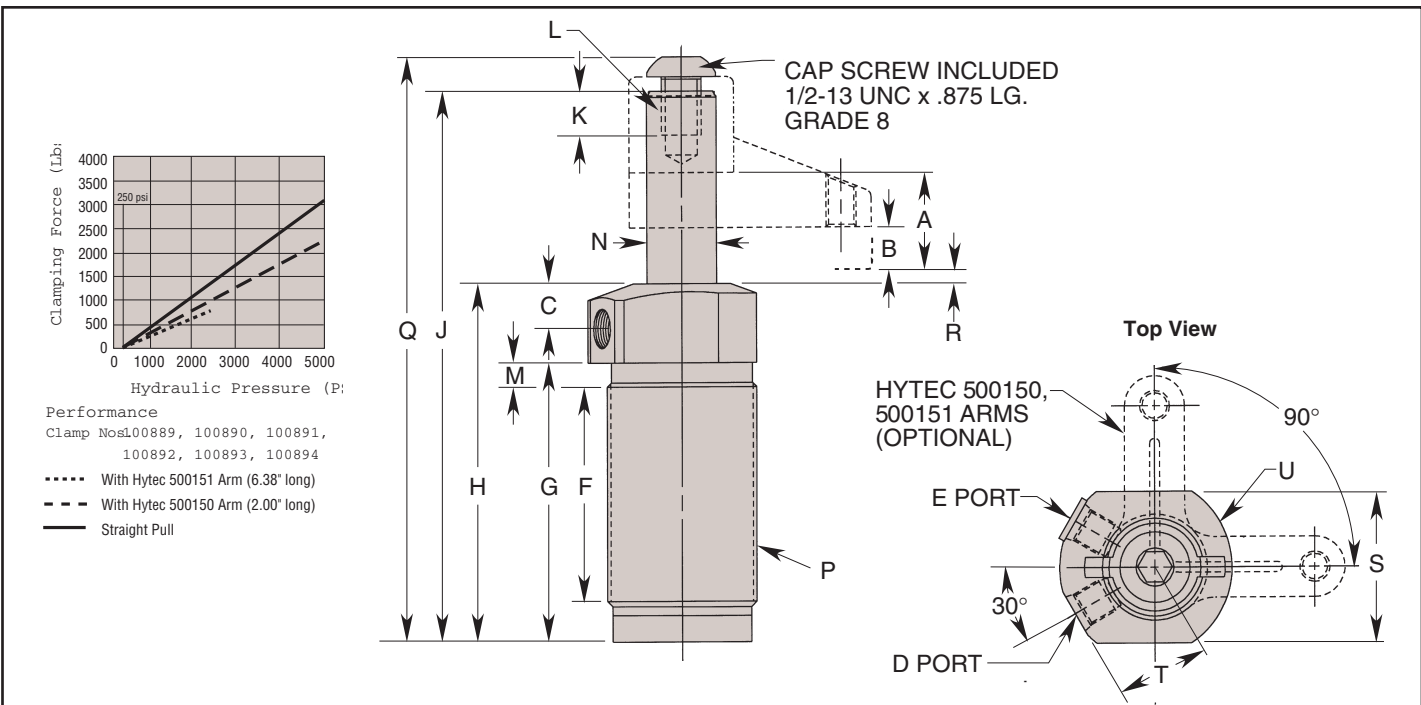




Features:

- Full thread provides wide range of precise height adjustment
- Simple installation/removal
- "Live Roller" design provides industry's most reliable swing/pull mechanism
 - Piston/Cam combination provides solid path for clamping action
 - Typical ball and groove mechanism has higher potential for clogging and for damage from mis-aligned work pieces
- Available in single and double acting versions
- Special rod wiper seal protects internal clamp components
- Unique drainage system channels contaminants away from clamp
- Corrosion resistant construction
- Heat treated, chrome plated piston rod
- Unique "Live Roller®" swing mechanism for increased service life
- Power-Tech™ treated body and hardened cam for long wear and corrosion resistance
- Straight pull capacity 3,144 lbs. at 5,000 psi max



Cat. No.	Specifications						Dimensions (In Inches)						
	Oper.	Swing Direction	*Force (Lbs.)	Eff. Area (Sq. In.)		Oil Cap. (Cu. In.)		A Total Stroke	B Clamping Stroke	C	D Clamp Port	E Unclamp Port	F
				Clamp	Unclamp	Clamp	Unclamp						
100892	Single-Acting	Left Hand (Counter Clockwise)	2,400	.626	-	.740	1.267	.490	.632	7/16-20UNF SAE-4	Breather Plug 7/16-20UNF SAE-4†	2.797	
100893		Right Hand (Clockwise)											
100894		Straight Pull											
100889	Double-Acting	Left Hand (Counter Clockwise)	2,400	1.227	-	1.460	1.267	.490	.632	7/16-20UNF SAE-4	Breather Plug 7/16-20UNF SAE-4†	2.797	
100890		Right Hand (Clockwise)											
100891		Straight Pull											

Cat. No.	Dimensions (In Inches)												
	G	H	J	K Thread Min.	L Thread Size	M	N Dia. ††	P Thread Size	Q	R	S	T	U Radius
100892	3.494	4.486	6.871	.550	1/2-13UNC	.285	.875	1-7/8-16UN	7.311	.104	1.875	1.150	1.125
100893													
100894													
100889													
100890													
100891													

NOTE: † Do not pressurize - single-acting only. *With 2" arm at 5,000 psi max. operating pressure. Internal cam may be removed for an unguided straight pull.