

Swing/Pull Clamps - Cartridge Style - 2400 lbs.



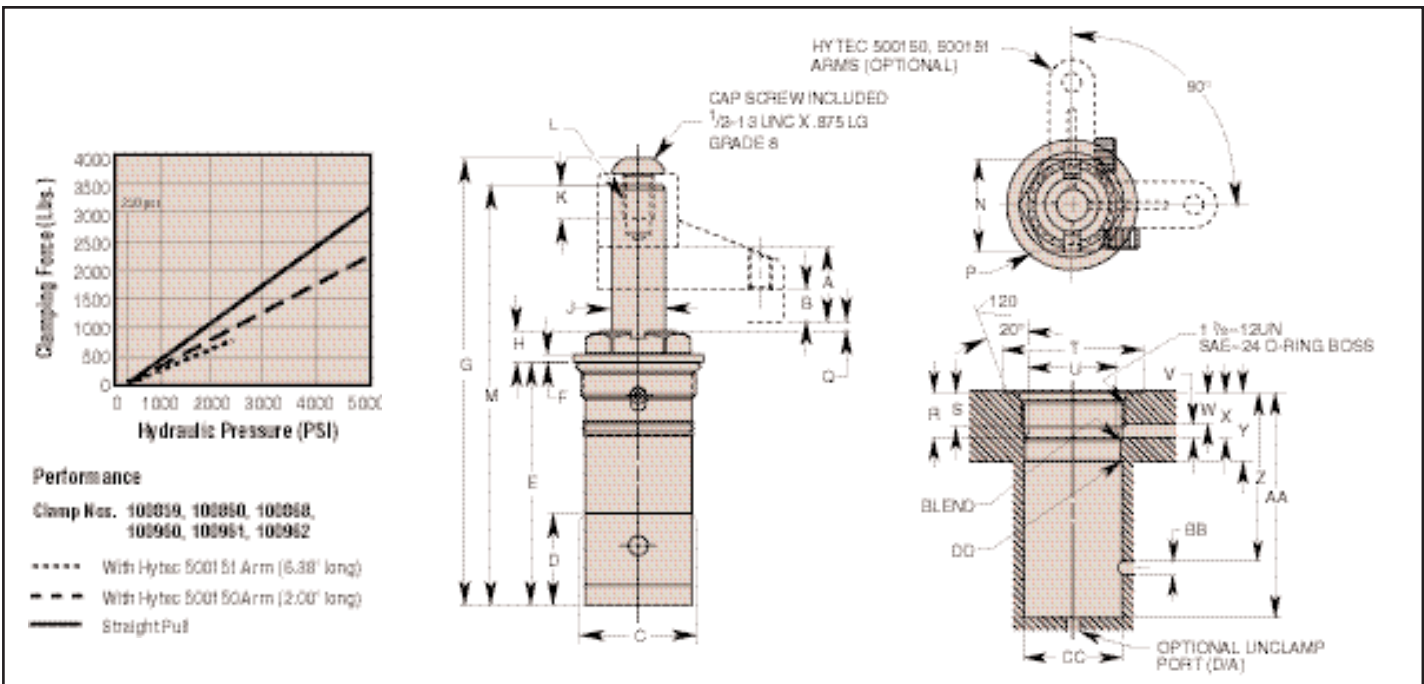
Swing/Pull Clamps - Cartridge Style - 2400 lbs.



Features:

- Small footprint minimizes acreage on fixture
- Low profile reduces overall fixture height
- Manifold mounting eliminates exposed plumbing, reducing chip build-up on fixture
- "Live Roller" design provides industry's most reliable swing/pull mechanism
 - Piston/Cam combination provides solid path for clamping action
 - Typical ball and groove mechanism has higher potential for clogging and for damage from mis-aligned work pieces
- Simple cavity design enables faster fixture building
- Available in single and double acting versions
- Special rod wiper seal protects internal clamp components

- Unique drainage system channels contaminants away from clamp
- Cartridge design eliminates exposed tubing and saves space
- Single-acting or double-acting
- Heat treated, chrome plated piston rod
- Unique "Live Roller" swing mechanism for increased service life
- Power-Tech™ treated body and hardened cam for long wear and corrosion resistance
- Clamping arms are adjustable within a full 360 degrees
- Straight pull capacity 3,144 lbs. at 5,000 psi max.
- Heavy duty, corrosion resistant return spring (single-acting)



Cat. No.	Operation	Specifications						Dimensions (In Inches)									
		Swing Direction	*Force (Lbs.)	Eff. Area (Sq. In.)		Oil Cap. (Cu. In.)		A Total Stroke	B Clamping Stroke	C Dia.	D	E	F	G	H	††J Dia.	
				Clamp	Unclamp	Clamp	Unclamp										
100859	Single-Acting	Left Hand (Counter Clockwise)	2,400	.626	-	.740	1.163	.490	1.747	1.506	3.976	.150	7.311	.510	.875		
100860		Right Hand (Clockwise)															
100868		Straight Pull															
100960	Double-Acting	Left Hand (Counter Clockwise)	2,400	1.227	-	1.460	1.163	.490	1.747	1.506	3.976	.150	7.311	.510	.875		
100961		Right Hand (Clockwise)															
100962		Straight Pull															

Cat. No.	Dimensions (In Inches)																			
	K Thread Min.	L Thread Size	M	N Hex.	P Dia.	Q	R	S Thread Min.	T Dia. Min.	U Dia.	V Clamp Port Dia. Min.	W Min.	X Max.	Y Min.	Z Min.	AA Min.	BB Unclamp Port Dia. Min.	CC Dia. Min.	DD Chamfer Max.	
100859																				
100860														1.250	-		†Vent			
100868																4.031		1.750	.020	
100960	.550	½-13UNC	6.871	1.750	2.125	.104	.801	.560	2.185	1.750	.125	.562	.812							
100961							.831			1.753					3.006		.125			
100962																				

NOTE: * With 2.00" long arm at 5,000 psi max. operating pressure.
 † Do not pressurize - single-acting only. Cavity must be vented.
 †† See page 59 for custom arm mounting.
 See page 58 for maximum operating speeds and rotation options. Internal cam may be removed for an unguided straight pull. See operating instructions for additional port details.