

Swing/Pull Clamps - Threaded Body Style - 2400 lbs.

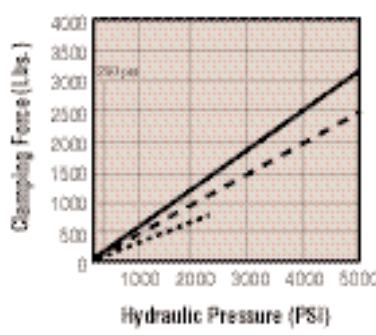


Swing/Pull Clamps - Threaded Body Style - 2400 lbs.

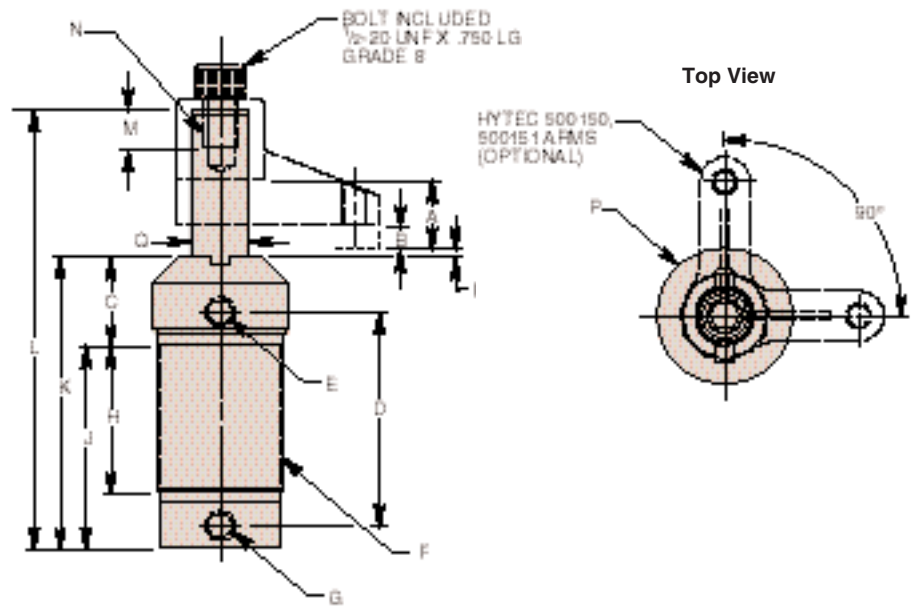


- Features:**
- Full thread provides wide range of precise height adjustment
 - Simple installation/removal
 - "Live Roller" design provides industry's most reliable swing/pull mechanism
 - Piston/Cam combination provides solid path for clamping action
 - Typical ball and groove mechanism has higher potential for clogging and for damage from mis-aligned work pieces
 - Available in single and double acting versions
 - Special rod wiper seal protects internal clamp components

- Unique drainage system channels contaminants away from clamp
- Heat treated, chrome plated piston rod
- Unique "Live roller" swing mechanism for increased service life
- Power-Tech™ treated body and hardened cam for long wear and corrosion resistance
- Clamping arms are adjustable anywhere within a full 360 degrees
- Straight pull capacity 3,144 lbs. at 5,000 psi.



Performance
 Clamp Nos. 100841, 100842, 100848, 100849, 100870, 100871
 ----- With Hytec 500151 Arm (6.38' long)
 - - - - - With Hytec 500150 Arm (2.00' long)
 ————— Straight Pull



Cat. No.	Specifications				Dimensions (In Inches)							
	Swing Direction	*Force (Lbs.)	Eff. Area (Sq. In.)		Oil Cap. (Cu. In.)		A Total Stroke	B Clamping Stroke	C	D	E Clamp Port	F Thread Size
			Clamp	Unclamp	Clamp	Unclamp						
100841	Left Hand (Counter Clockwise)	2,400	.63	1.23	.74	1.46	1.163	.500	1.252	3.188	1/8" NPTF	1 7/8" - 16 UN
100842	Right Hand (Clockwise)											
100870	Straight Pull											
100848	Left Hand (Counter Clockwise)				1.21	2.36	1.938	1.250	4.688			
100849	Right Hand (Clockwise)											
100871	Straight Pull											

Cat. No.	Dimensions (In Inches)									
	G Unclamp Port	H	J	K	L	M Thread Min.	N Thread Size	P Dia.	†Q Dia.	R
100841	1/8" NPTF	2.240	3.062	4.312	6.575	.550	1/2-20UNF	2.000	.875	.061
100842										
100870										
100848		3.740	4.562	5.812	8.810					
100849										
100871										

NOTE: * With 2" arm at 5,000 psi max. operating pressure. Internal cam may be removed for an unguided straight pull.
 † See page 59 for custom arm mounting. See page 58 for maximum operating speeds and rotation options.