

# Swing/Pull Clamps - Cartridge Style - 5000 lbs.

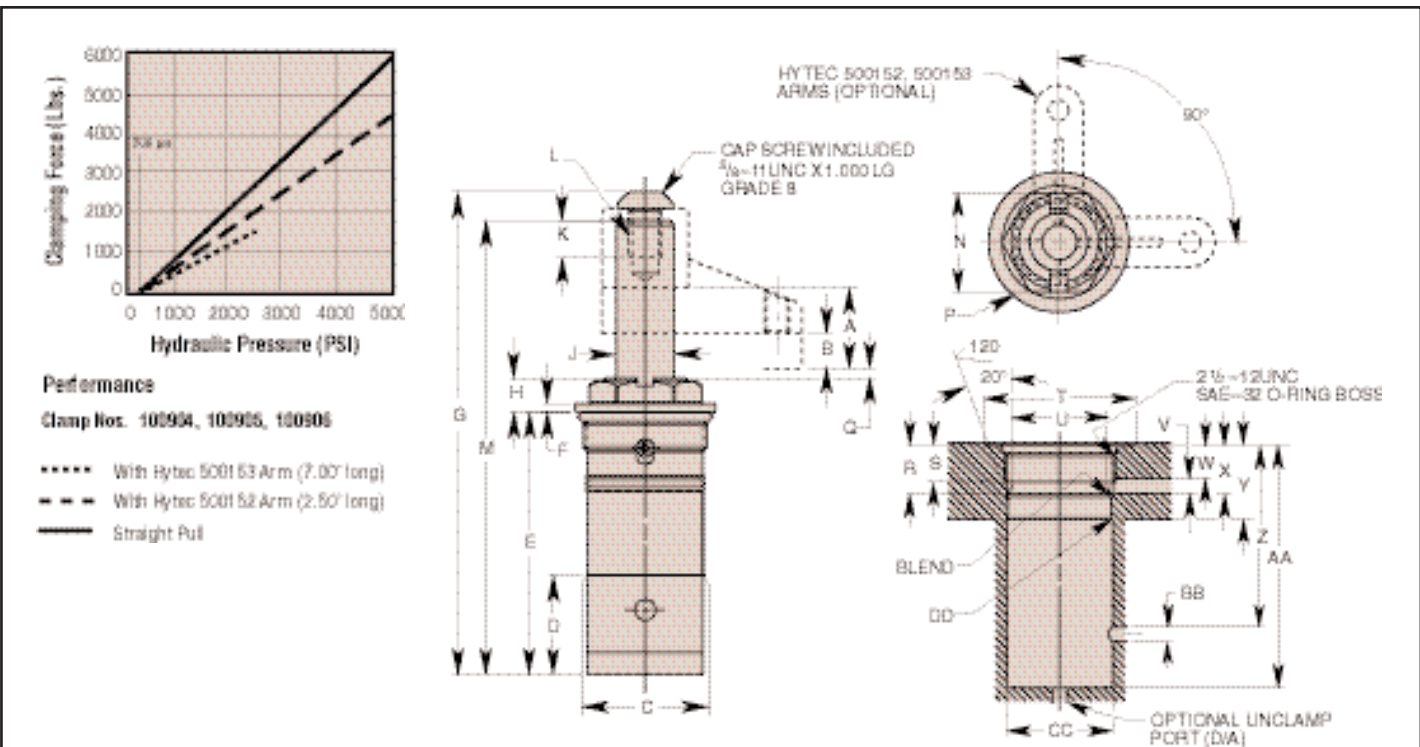


Swing/Pull Clamps - Cartridge Style - 5000 lbs.



- Features:**
- Small footprint minimizes acreage on fixture
  - Low profile reduces overall fixture height
  - Manifold mounting eliminates exposed plumbing, reducing chip build-up on fixture
  - "Live Roller" design provides industry's most reliable swing/pull mechanism
    - o Piston/Cam combination provides solid path for clamping action
    - o Typical ball and groove mechanism has higher potential for clogging and for damage from mis-aligned work pieces
  - Simple cavity design enables faster fixture building
  - Available in single and double acting versions

- Special rod wiper seal protects internal clamp components
- Unique drainage system channels contaminants away from clamp
- Corrosion resistant construction
- Heat treated, chrome plated piston rod
- Unique "Live Roller" swing mechanism for increased service life
- Power Tech™ treated body and hardened cam for long wear and corrosion resistance
- Single and double-acting
- Straight pull capacity 5,900 lbs. at 5,000 psi max



Cat. No.	Specifications							Dimensions (In Inches)									
	Oper.	Swing Direction	*Force (Lbs.)	Eff. Area (Sq. In.)	Oil Cap. (Cu. In.)	A Total Stroke	B Clamping Stroke	C Dia.	D	E	F	G	H	†† J Dia.	K Thd. Size		
100904	Single-Acting	LH (Counterclockwise)	5,000	1.178	1.914	1.625	.600	2.372	2.162	5.340	.160	9.856	.540	1.248	.740		
100905		RH (Clockwise)															
100906		Straight Pull															
100988	Double-Acting	LH (Counterclockwise)	5,000	1.178	3.908	1.625	.600	2.372	2.162	5.340	.160	9.856	.540	1.248	.740		
100989		RH (Clockwise)															
100990		Straight Pull															

Cat. No.	Dimensions (In Inches)					Mounting Dimensions (In Inches)												
	L Thd. Size	M	N Hex.	P Dia.	Q	R	S Min. Thd.	T Dia. Min.	U Dia.	V Clamp Port Dia. Min.	W Min.	X Max.	Y Min.	Z Min.	† AA Min.	BB Unclamp Port Dia. Min.	CC Dia. Min.	DD Chamfer Max.
100904	%11UNC	9.265	2.125	2.750	.330	1.136	.870	2.810	2.375	.125	.870	1.136	1.584	—	5.378	*Vent	2.374	.020
100905																		
100906																		
100988																		
100989																		
100990	—	4.138	.125															

**NOTE:** \* With 2.50" long arm at 5,000 psi max. operating pressure.  
 † Cavity must be vented.  
 †† See page 59 for custom arm mounting.  
 Internal cam may be removed for an unguided straight pull. See operating instructions for additional port details.  
 See page 58 for maximum operating speeds.