

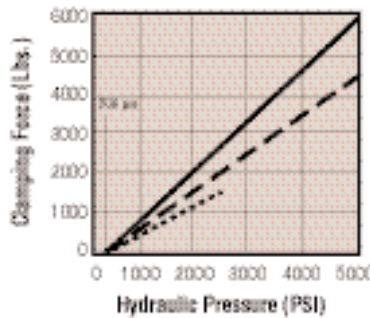
110089



Features:

- Manifold design eliminates external plumbing and reduces fixture height
- "Live Roller" design provides industry's most reliable swing/pull mechanism
 - Piston/Cam combination provides solid path for clamping action
 - Typical ball and groove mechanism has higher potential for clogging and for damage from mis-aligned work pieces
- Available in single and double acting versions
- Special rod wiper seal protects internal clamp components
- Unique drainage system channels

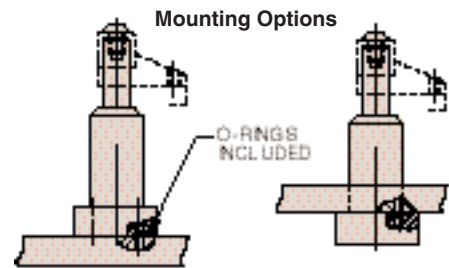
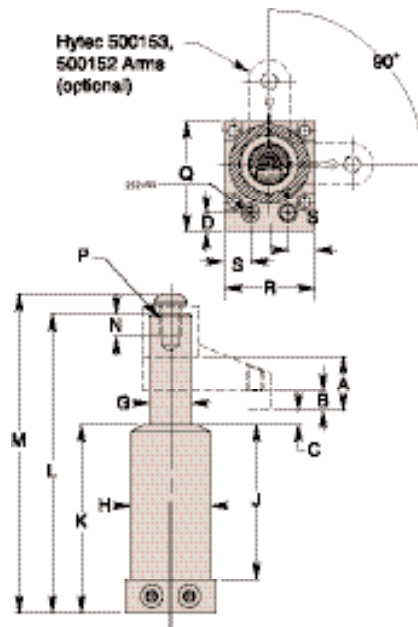
- contaminants away from clamp
- Corrosion resistant construction
- Heat treated, chrome plated piston rod
- Manifold mountable
- Unique "Live Roller" swing mechanism for increased service life
- Power-Tech™ treated body and hardened cam for long wear and corrosion resistance
- Single- and double-acting models are dimensionally interchangeable



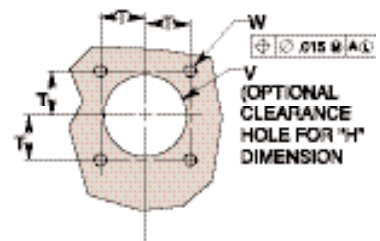
Performance

Clamp Nos. 100904, 100905, 100906

- With Hytec 500153 Arm (7.00' long)
- With Hytec 500152 Arm (2.50' long)
- Straight Pull



Mating Hole Pattern



Cat. No.	Specifications						Dimensions (In Inches)														
	Oper.	Swing Direction	*Force (Lbs.)	Eff. Area (Sq. In.)	Oil Cap. (Cu. In.)		A Total Stroke	B Clamping Stroke	C	D Port Dia.	E Clamp Port	F Unclamp Port	††G Dia.	H Dia.							
110089	Single-Acting	LH (Counterclockwise)	5,000	1.178	1.914	1.625	.600	.330	.340 MAX.	3/16-20UNF SAE-4	Breather Plug 3/16-20UNF SAE-4†	1.248	2.425								
110090		RH (Clockwise)																			
110091		Straight Pull																			
110092	Double-Acting	LH (Counterclockwise)												2.405	3.908	1.625	.600	.330	.340 MAX.	3/16-20UNF SAE-4	3/16-20UNF SAE-4
110093		RH (Clockwise)																			
110094		Straight Pull																			

Cat. No.	Dimensions (In Inches)													
	J	K	L	M	N Thread Min.	P Thread Size	Q	R	S	T	U	V Dia.	W Thread Size	
110089	4.737	5.917	9.297	9.887	.690	3/16-11 UNC	3.305	2.750	.570	1.085	.408	2.442 2.462	3/16-18 UNC	
110090														
110091														
110092		5.730	9.110	9.700										
110093														
110094														

NOTE: * With 2.50" long arm at 5,000 psi max. operating pressure.
 † Do not pressurize - single-acting only.
 †† See page 59 for custom arm mounting.

Internal cam may be removed for an unguided straight pull.
 See page 58 for maximum operating speeds and rotation options.