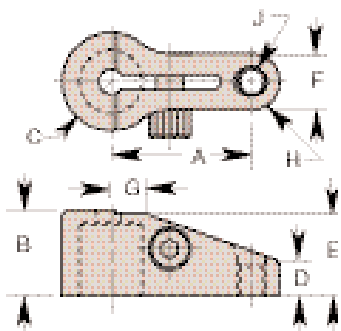


Hytec offers both short and long arms for each series of "Live-Roller™" swing/pull clamps. In each case, the short arm (often referred to as the "standard" arm) is designed to be used at pressures up to the clamp's maximum rating of 5000 psi. The long arms are designed to be used as is or easily modified for your applications that require a longer reach. When

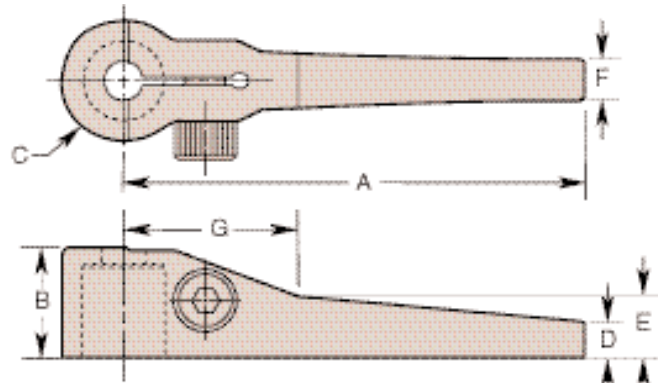
using the long arms, maximum hydraulic pressure and flow must be reduced. See the accompanying charts. Do not use meter-out circuitry for controlling double-acting clamp speeds. See pages 105 and 123 for metering valves. Contact Hytec if further design assistance is required.

Swing/Pull Clamp Arms

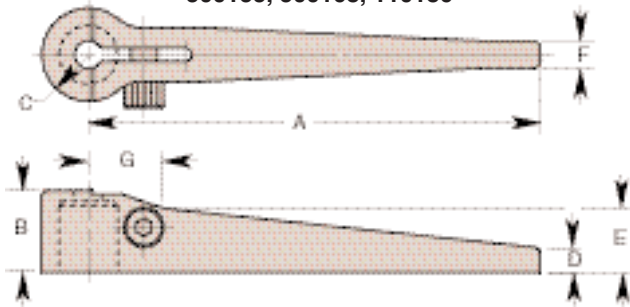
500150, 500152, 500154, 500167, 110185



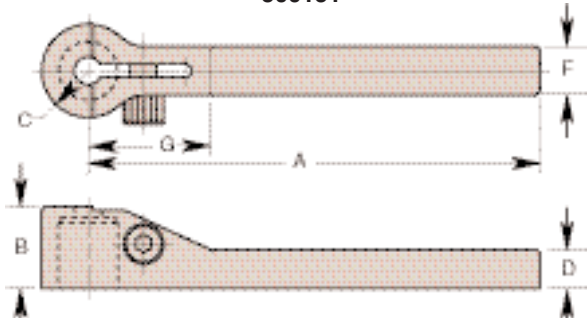
500153



500155, 500168, 110186



500151



Cat. No.	Specifications					Dimensions (In Inches)									
	Clamp Rating (Lbs.)	Clamp Force with Arm (Max. Lbs.)	Operating Pressure (Max. PSI)	Max. Flow Rate (Cu. In./Min.)	Max. Clamping Speed (Sec.)	Weight (Oz.)	A	B	C Radius	D	E	F	G	H Radius	J Thread Size
500167	365	340	5,000	15	.3	1	1.060	.600	.330	.234	.575	.380	.275	.190	10-24 UNC
500168		*125	*2,450	8	.5	2	3.250			.171		.225	.937	—	—
500154	750	750	5,000	25	.4	2	1.250	.760	.435	.314	.730	.500	.319	.250	1/2-20 UNC
500155		*220	*2,150	12	.8	4	4.250			.228	.598	.250	.694	—	—
110185	1,200	1,200	5,000	34	.45	3.2	1.500	.830	.500	.365	.800	.624	.354	.312	5/16-18 UNC
110186		*335	*2,058	17	.9	6.8	5.375			.312	.800	.250	1.312	—	—
500150	2,400	2,400	5,000	100	.5	8	2.000	1.200	.688	.475	1.140	.750	.540	.375	3/8-16 UNC
500151		*720	2,350	50	1	17	6.375			.615	—		2.000	—	—
500152	5,000	4,500	5,000	250	.5	25	2.500	1.700	.930	.750	1.650	1.250	.743	.625	1/2-13 UNC
500153		*1,540	*2,500	125	1	33	6.964			.559	.973	.650	2.500	—	—

* Maximum values at supplied lengths. If arm is shortened, see charts on page 59.

Cat. No.	Specifications			
	Rotation Angle Degrees	Rotation Direction	Clamp Capacity (Lbs.)	Clamping Stroke
350912	30	Right Hand	2,400	.500
350915		Left Hand		
350913	45	Right Hand		
350916		Left Hand		
350914	60	Right Hand		
350917		Left Hand		

* With 2.00" long arm at 5,000 psi max. operating pressure.

Rotation Options

Hytec's 2,400 lbs. capacity, .500 inch clamping stroke Swing/Pull clamps can be converted to a 30, 45, or 60 degree swing by exchanging the internal cam. Order the appropriate cam from the table to the left.

All of Hytec's 2,400 lbs. capacity, .500 inch clamping stroke Swing/Pull clamps are also available from the factory with 30, 45, and 60 degree swing options. Contact Hytec for ordering information.